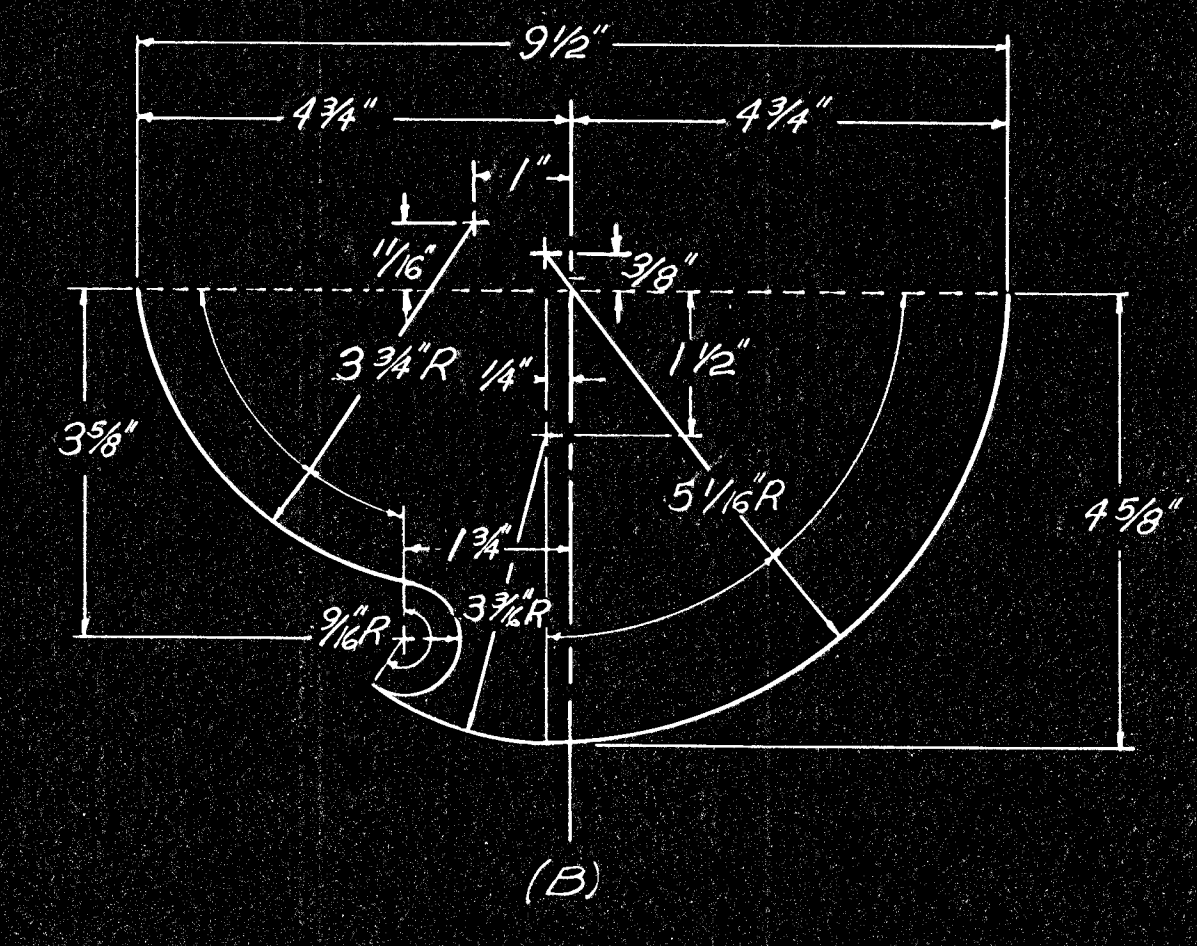
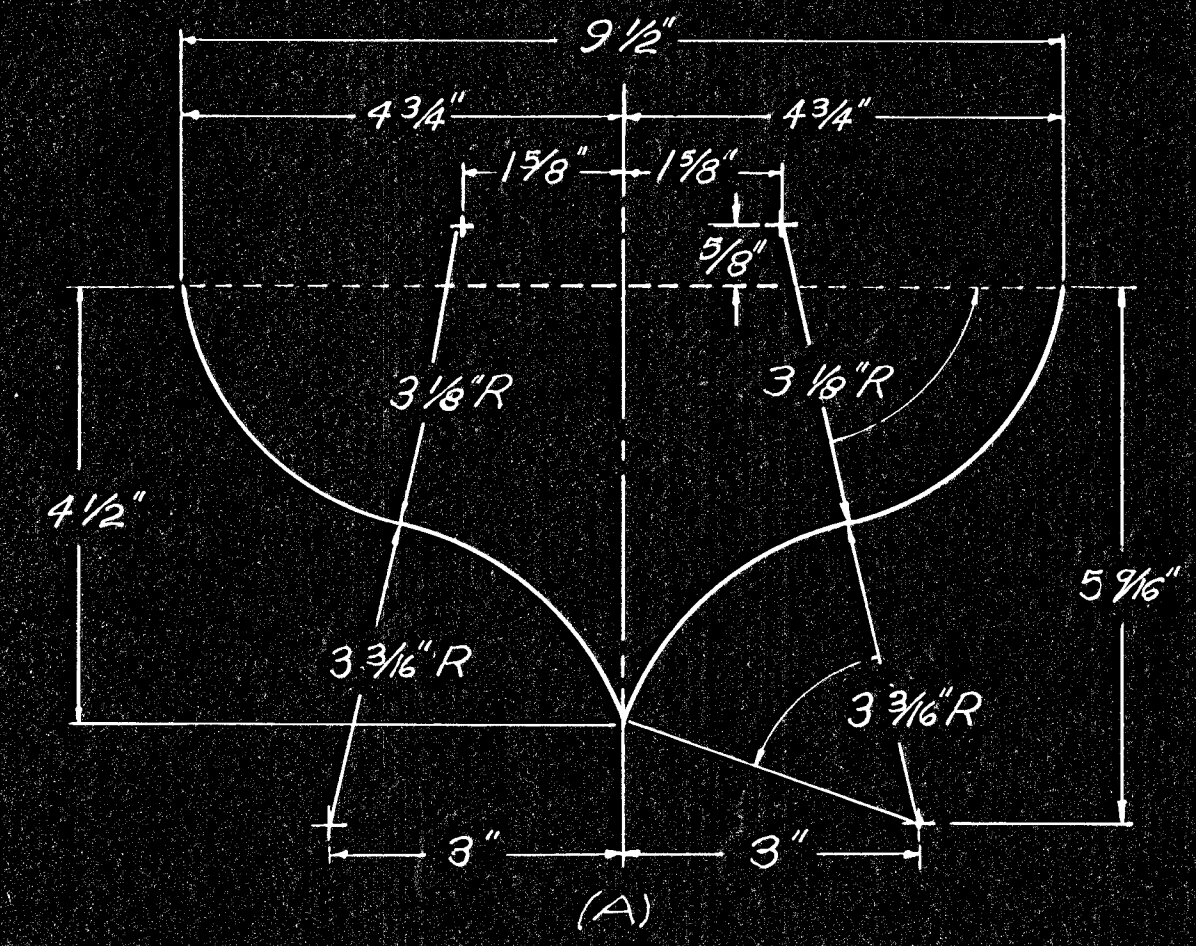


Shield No.	Size	Digits	Digit Series	A	B
M1-6	60" x 48"	254	C	20"	20"

Notes:
 Color specifications (Direct screen process)
 Sign face shall be covered with enclosed lens yellow reflective sheeting.
 Digits shall be black process ink.
 The type of adhesive for reflective sheeting may be solvent activated, heat activated, or pressure sensitive.



3				
2				
1				
NO.	DATE	REVISIONS	BY	APP'D
KANSAS DEPARTMENT OF TRANSPORTATION				
DESIGN DETAILS FOR K. ROUTE				
3-DIGIT				
(GUIDE SIGN USE) (60" x 48")				
SHEET NO. 44 OF 143	SCALE	APP'D		
DESIGNED H.H.	DETAILED H.H.	QUANTITIES	TRACE	
DESIGN CK W	DETAIL CK W	QUAN. CK	TRACE CK	