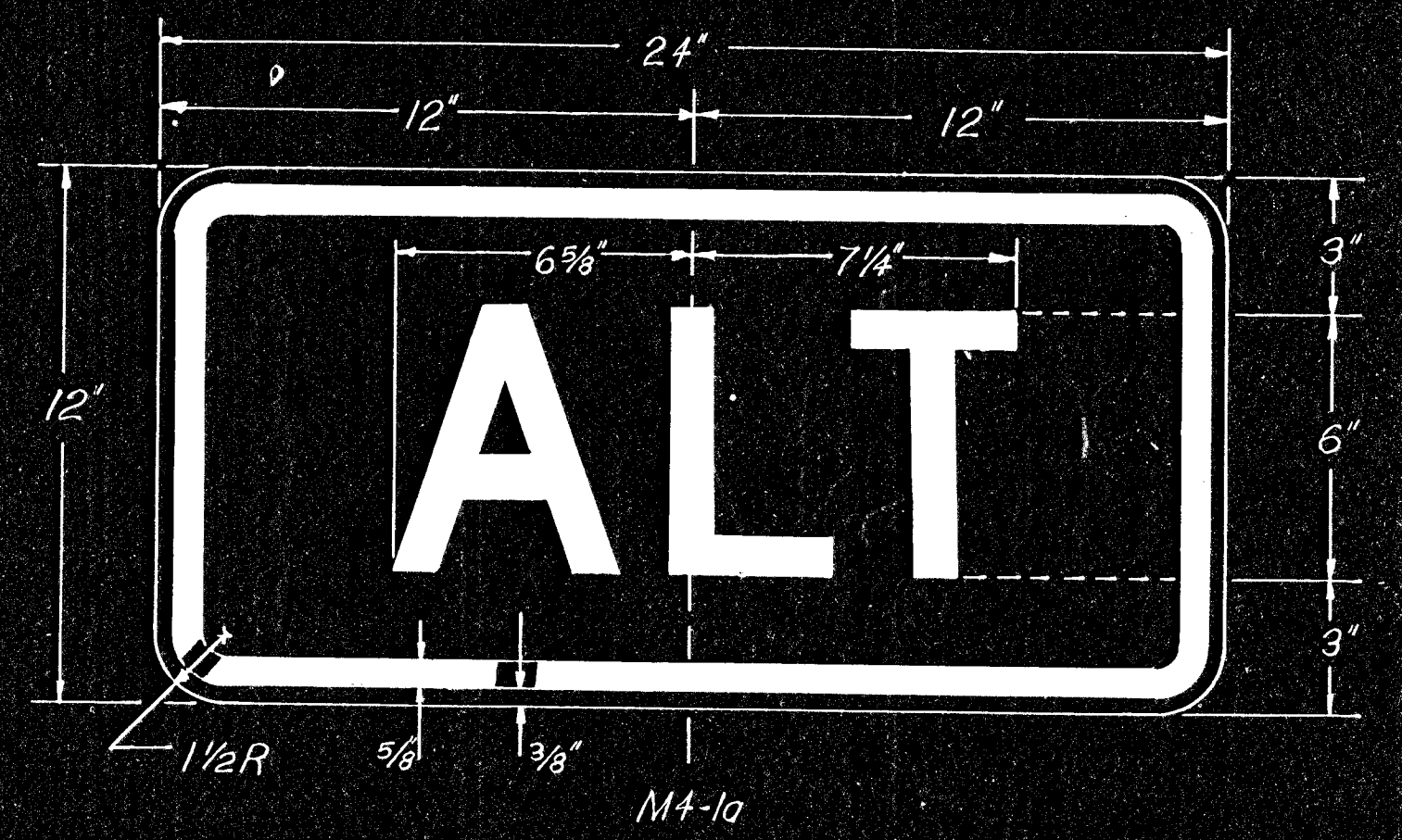
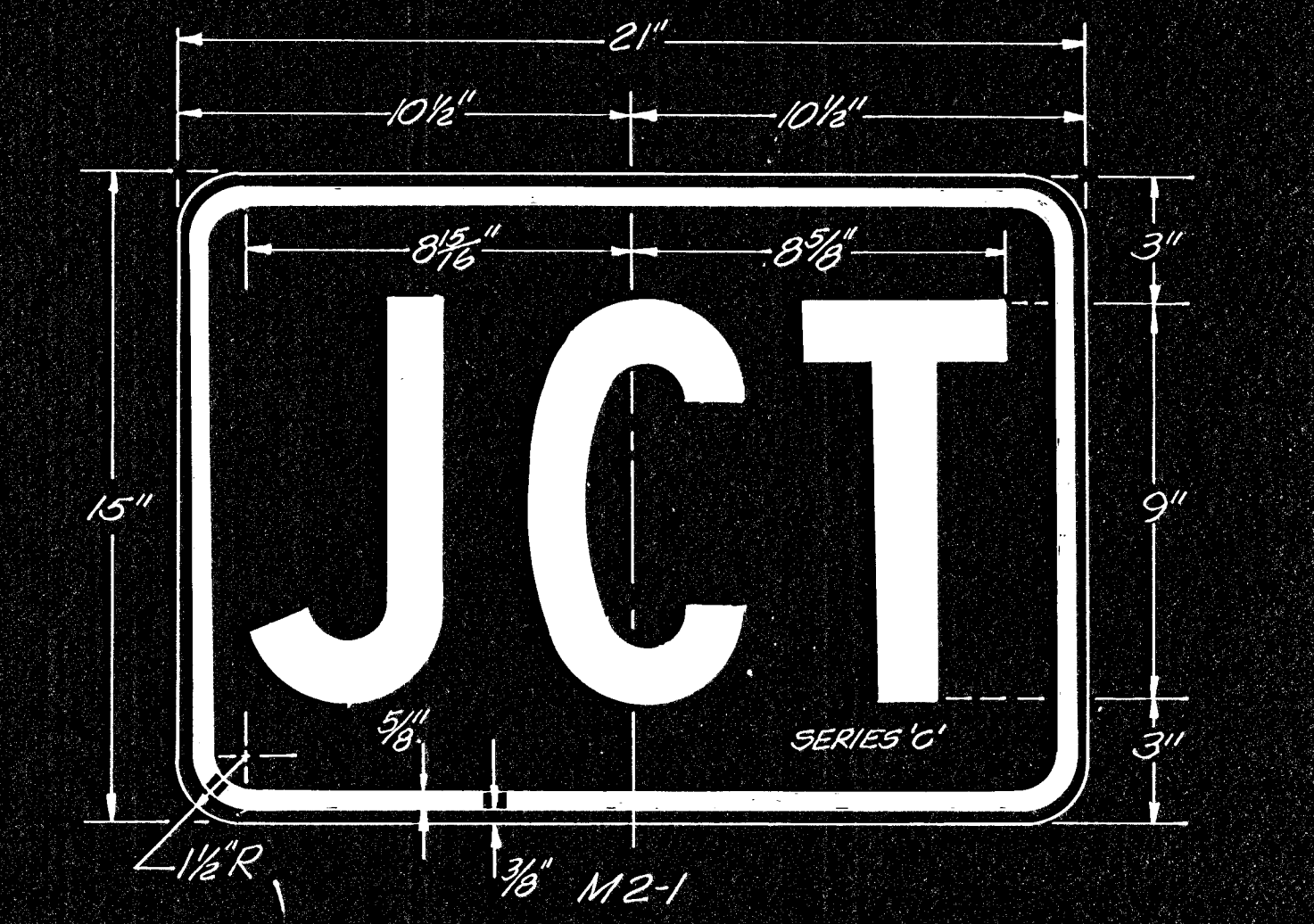
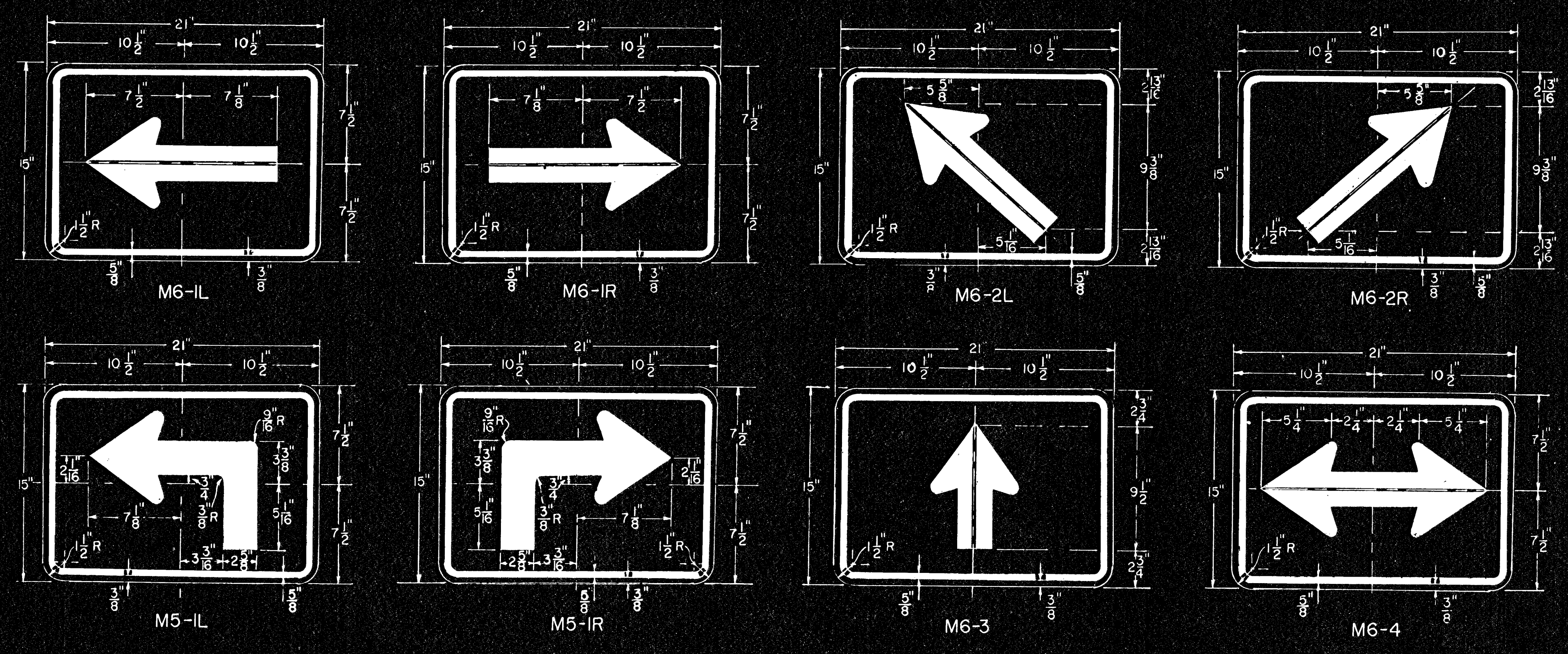
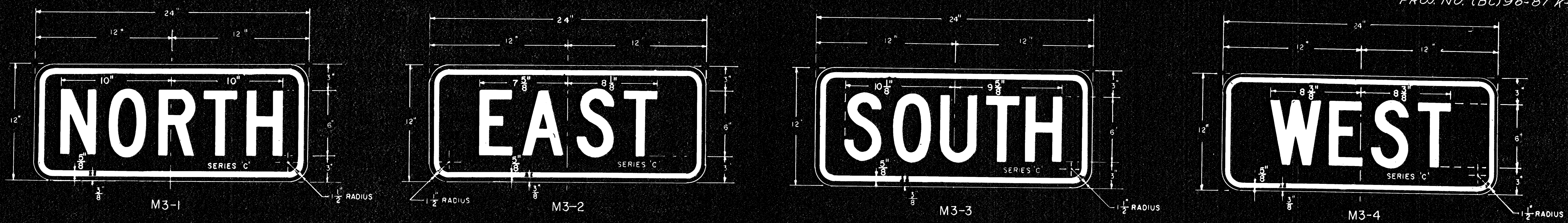


F.H.W.A. REGION NO.	STATE	PROJECT	FISCAL YEAR	SHEET NO.	TOTAL SHEETS
7	KANSAS		1978	53	143

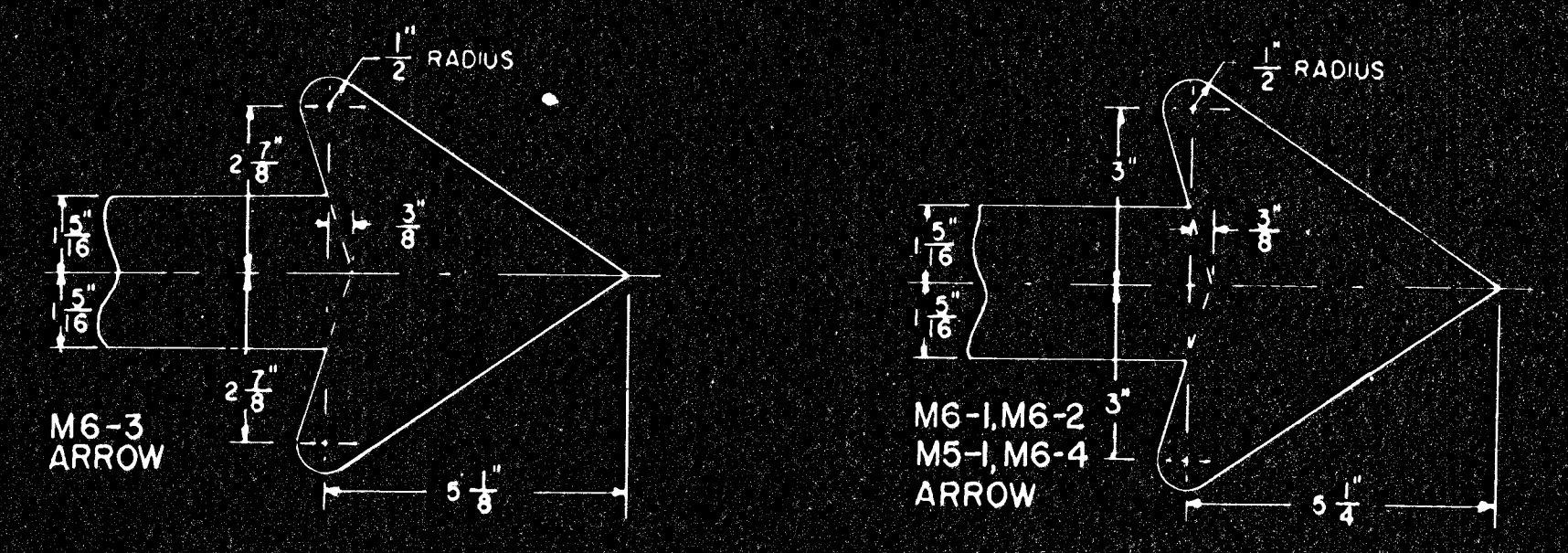
PROJ. NO. (BC) 96-87 K-044-1(28) PTS I & II



COLOR SPECIFICATIONS (DIRECT SCREEN PROCESS)  
 Sign face shall be covered with enclosed lens silver reflective sheeting.  
 Legend and border shall be black process ink

NOTE:  
 See flat sign detail sheets for aluminum alloys and thickness required.  
 The type of adhesive for reflective sheeting may be solvent activated, heat activated, or pressure sensitive.

Areas of Signs in Sq. Ft.  
 24" x 12" = 2.00  
 21" x 15" = 2.19



NO.	DATE	REVISIONS	BY	APP'D
3	11-2-77	Chg. of identification number	GM	AFT
2	2-2-77	Dim. Chg. M6-1 21" x 9" to 21" x 12"	W	AFT
1	2-3-70	Dim. change on M4-2 R.F.L.	GM	AFT

KANSAS DEPARTMENT OF TRANSPORTATION  
 DESIGN DETAILS  
 FOR  
 INTERSTATE GUIDE SIGNS

SHEET NO. 53 OF 143	SCALE	APP'D	DATE
DESIGNED H.H.	DETAILED H.H.	QUANTITIES	TRAF. ENGR.
DESIGN CR W	DETAIL CR W	QUAN. CR	TRAF. ENGR.