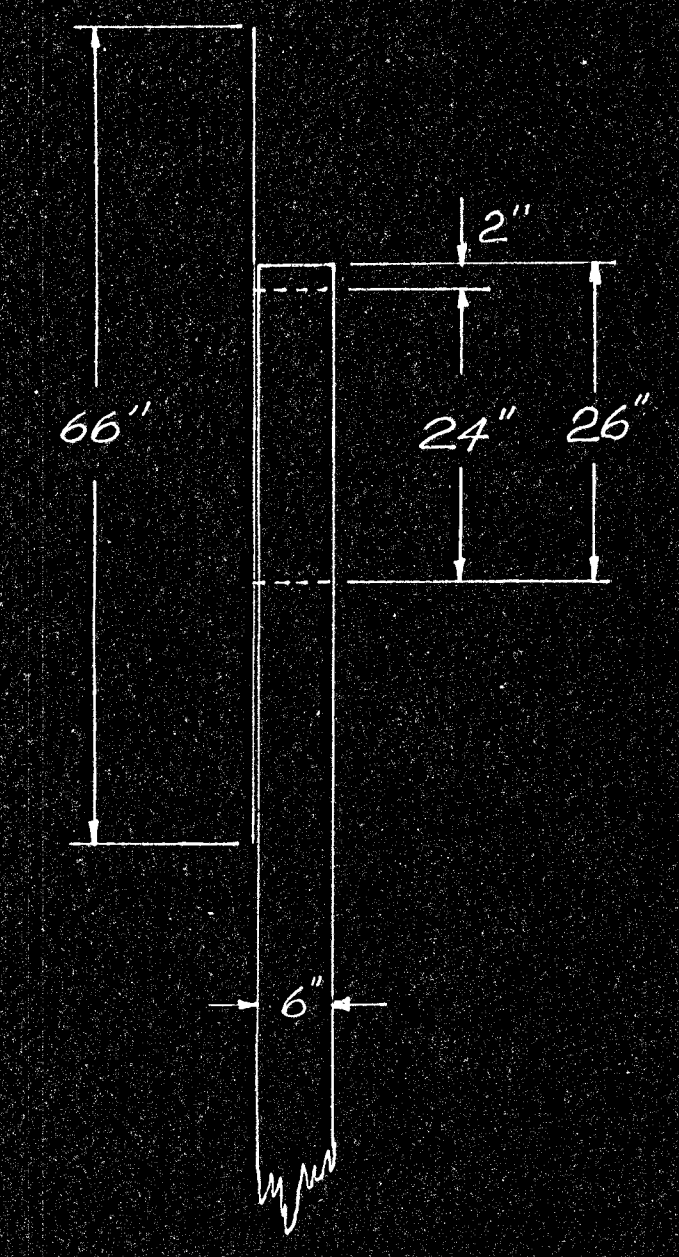
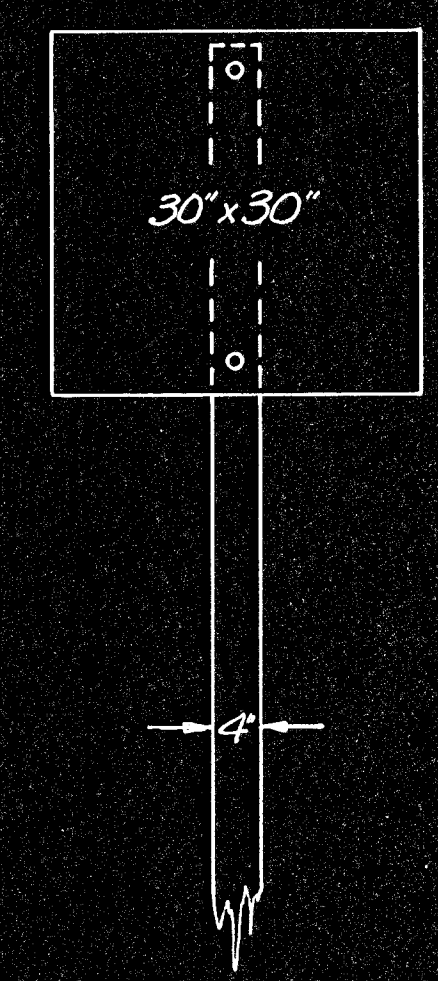


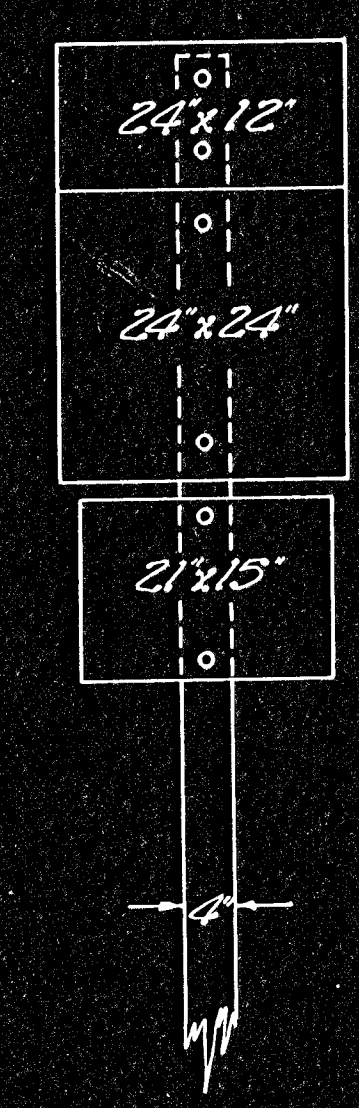
Typical Standard Mounting



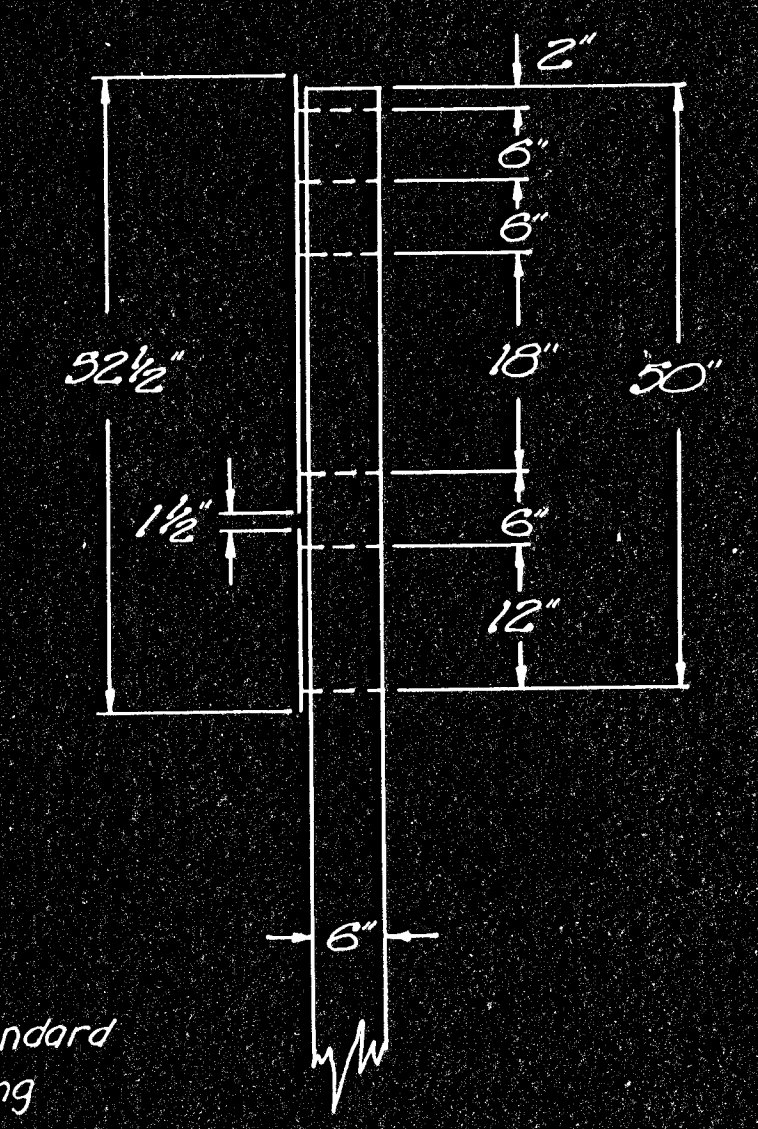
Typical Standard Mounting



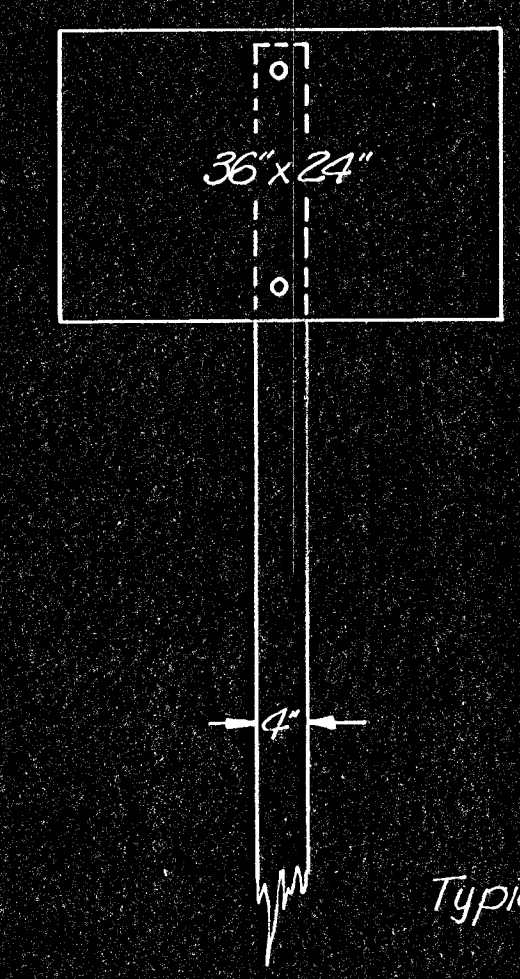
Typical Standard Mounting



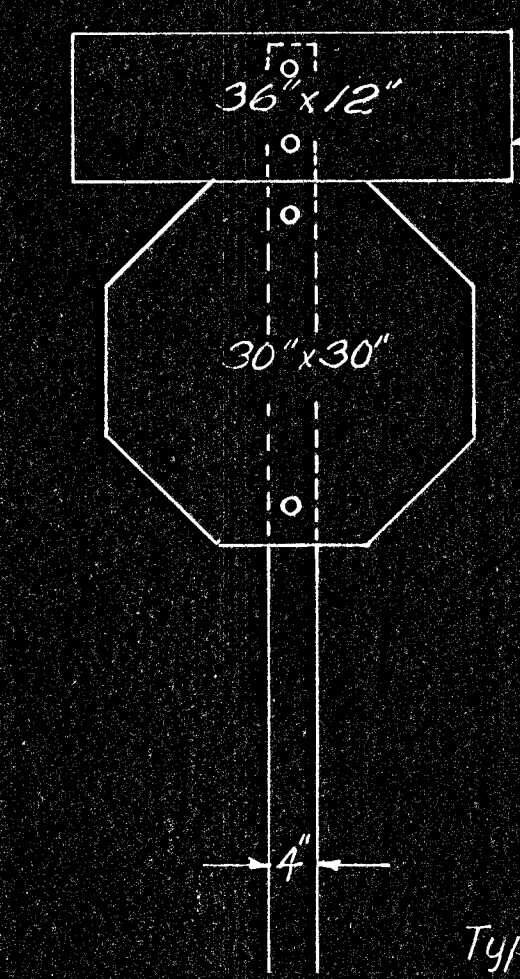
Typical Standard Mounting



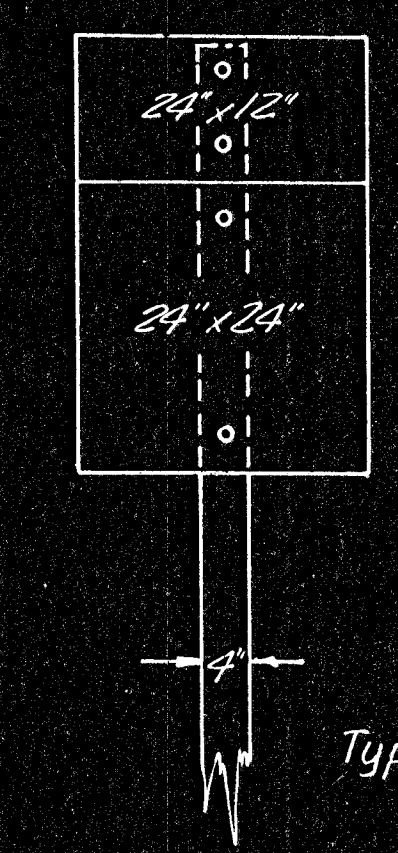
Typical Standard Mounting



Typical Standard Mounting



Typical Standard Mounting



NO.	DATE	REVISIONS	BY	APP'D
3				
2				
1				

KANSAS DEPARTMENT OF TRANSPORTATION
MOUNTING DETAILS
FOR FLAT SHEET SIGNS
ON WOOD POSTS

SHEET NO. 58 OF 143	SCALE: VARIABLE	APP'D: <i>John J. App</i>
DESIGNED: DG	DETAILED: [blank]	QUANTITIES: [blank]
DESIGN CK: [blank]	DETAIL CK: [blank]	QUAN CK: [blank]
		TRACE CK: [blank]