

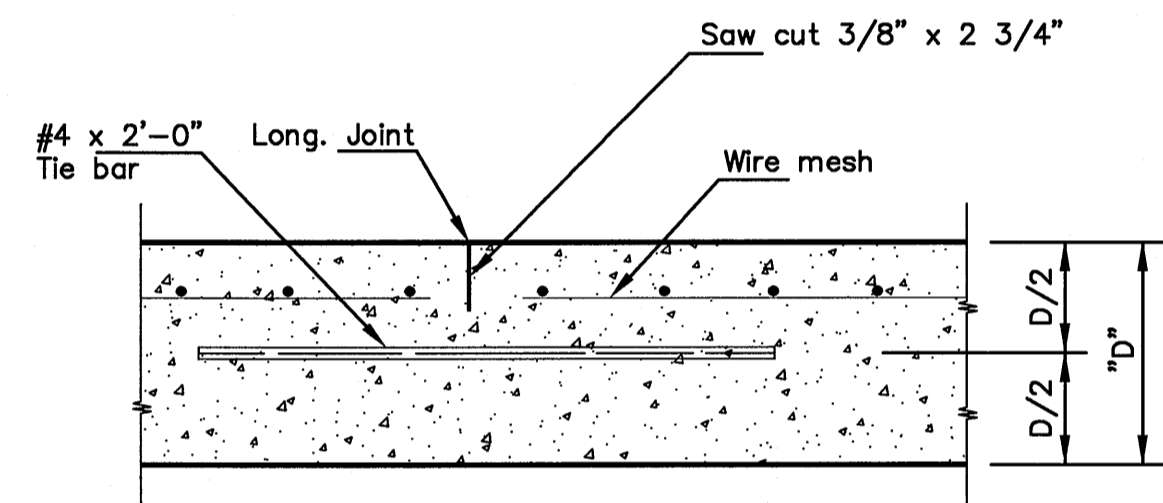
DETAIL OF LAP FOR WIRE MESH

NOTE: The lap shall extend beyond the first transverse wire of each sheet.

The sheets shall be wired securely at the edges and at intervals not to exceed 2'-6" for the full width of the sheet. Approx. weight of wire mesh = 44 lbs. per 100 sq. ft.

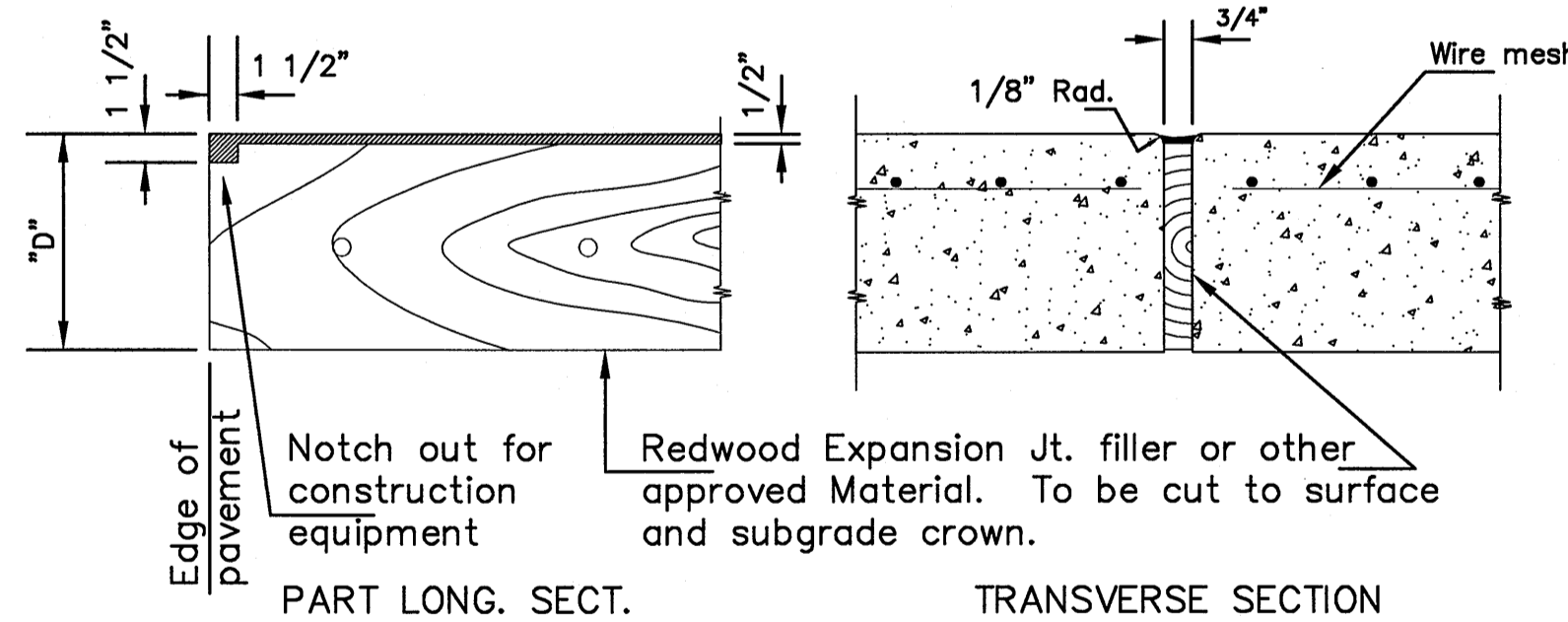
Other methods for fastening the sheets of wire mesh at the laps may be used with the approval of the Engineer.

NOTE: CONTRACTION JOINTS AND EXPANSION JOINTS SHALL BE FORMED IN THE MONOLITHIC CURB AT ALL LOCATIONS WHERE SUCH JOINTS ARE PLACED IN THE PAVEMENT. ADDITIONAL CONTRACTION JOINTS SHALL BE CUT IN THE MONOLITHIC CURB IN UNIFORM LENGTHS NOT EXCEEDING TEN FOOT INTERVALS BETWEEN THOSE JOINTS WHICH COINCIDE WITH JOINTS IN THE PAVEMENT.



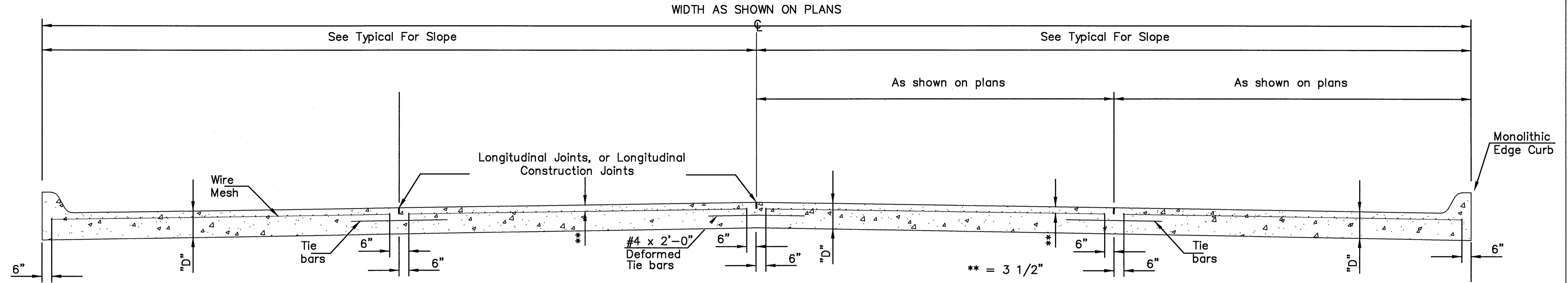
LONGITUDINAL JOINT DETAIL TRANSVERSE SECTION

NOTE: Longitudinal joint formed by sawing 2 3/4" deep and 3/8" wide and filled as specified in standard specifications.



EXPANSION JOINT DETAIL

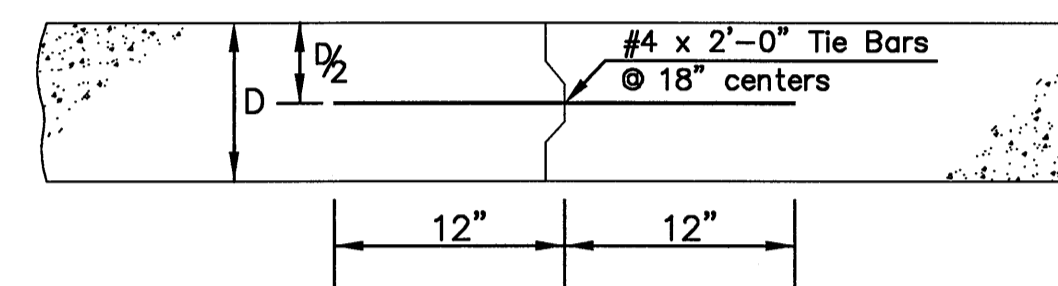
NOTE: EXPANSION JOINT MATERIAL MUST BE SECURELY HELD IN PLACE BY USING METAL STAKES, METAL PINS, OR BY OTHER APPROVED METHODS SO THAT WHEN THE PAVEMENT IS COMPLETED THE EXPANSION MATERIAL WILL BE PERPENDICULAR TO THE SURFACE OF THE COMPLETED PAVEMENT. CONCRETE SHALL BE HAND PLACED ON EACH SIDE OF THE EXPANSION JOINT MATERIAL IN A MANNER THAT WILL PRECLUDE DISPLACEMENT OF THE EXPANSION JOINT MATERIAL.



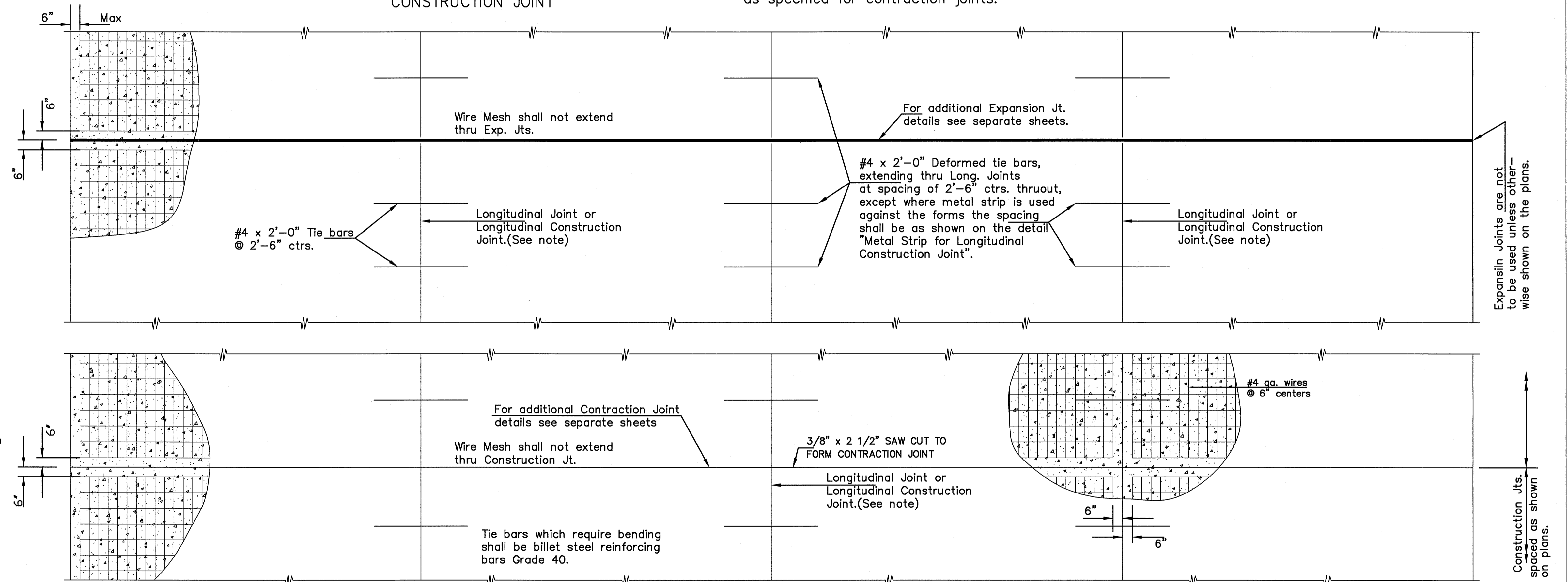
TRANVERSE SECTION

** Note: The 3 1/2" as shown on standard sheet is a nominal dimension and may be subject to a normal unevenness due to placement operations.

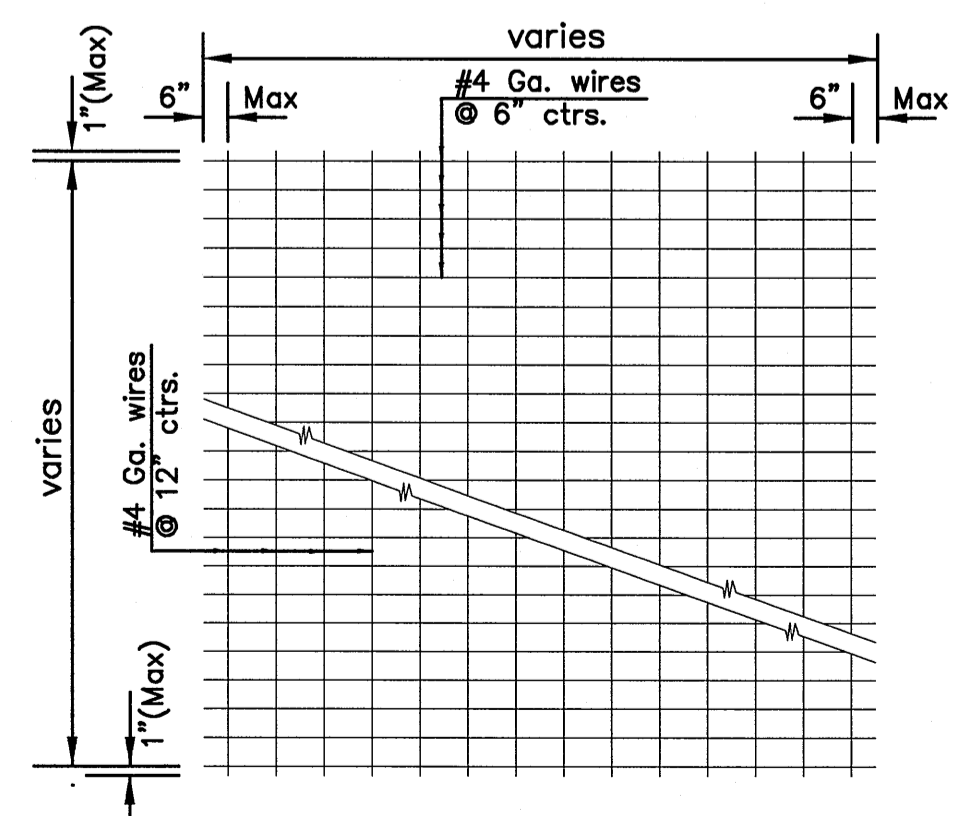
Note: A Construction Joint is required when the pour has been interrupted for a substantial length of time or at the end of a days pour. Transverse Construction Joints shall be sawed and filled as specified for contraction joints.



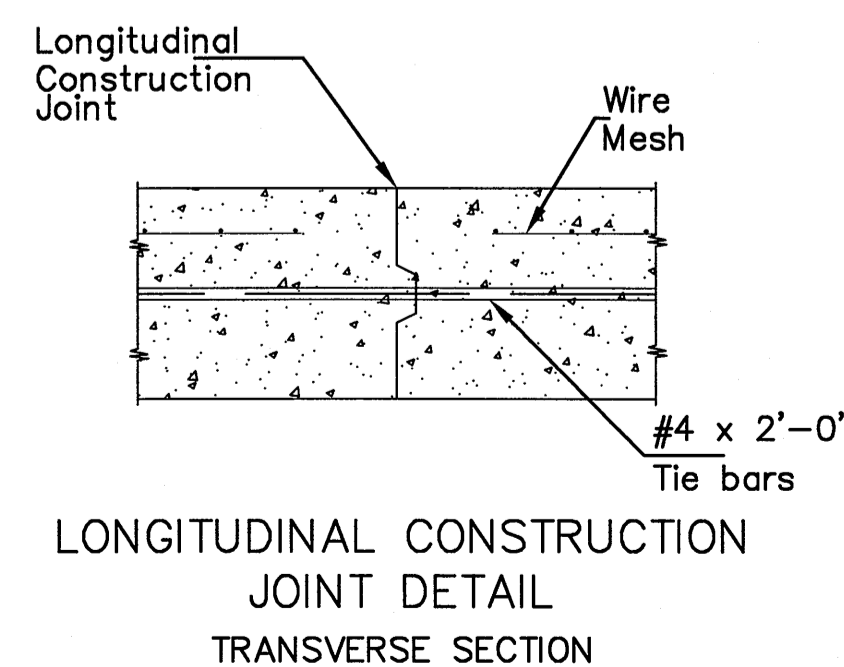
CONSTRUCTION JOINT



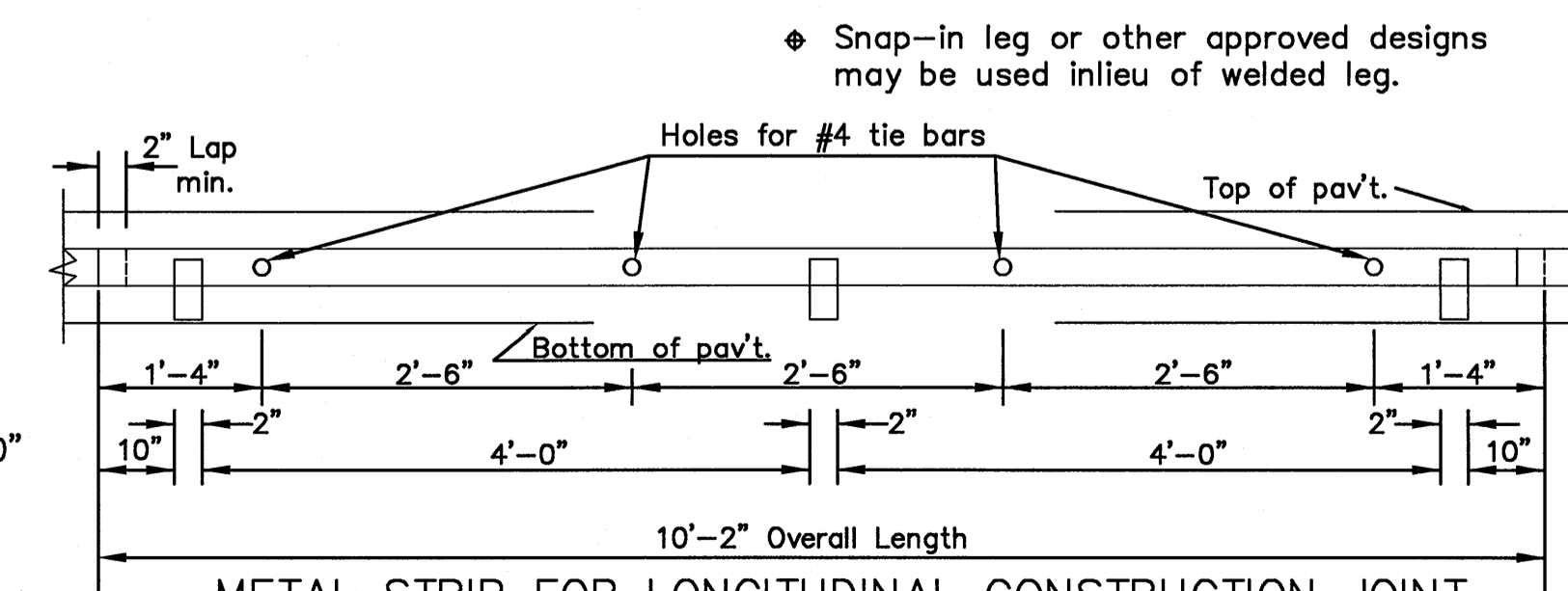
PLAN



TYPICAL SHEET OF WELDED WIRE MESH

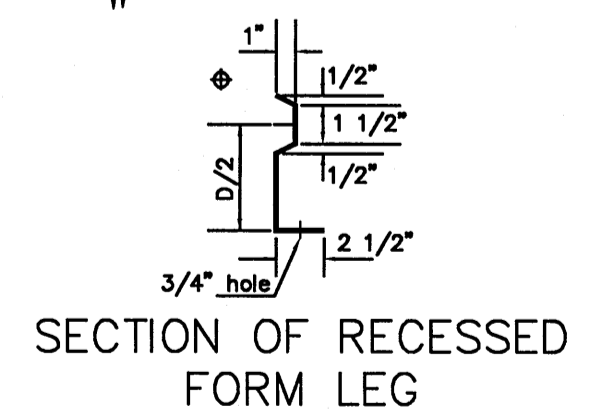


LONGITUDINAL CONSTRUCTION JOINT DETAIL TRANSVERSE SECTION



METAL STRIP FOR LONGITUDINAL CONSTRUCTION JOINT

TO BE USED ONLY AGAINST FORMS. SHALL NOT EXTEND THROUGH CONTRACTION OR EXPANSION JOINTS. OTHER TYPES OF CONSTRUCTION SHALL BE PERMITTED WITH THE APPROVAL OF THE ENGINEER.



SECTION OF RECESSED FORM LEG

<p>THE CITY OF WICHITA</p> <p>CITY ENGINEER'S OFFICE CITY HALL - SEVENTH FLOOR 455 NORTH MAIN STREET WICHITA, KANSAS 67202 (316) 268-4901 (316) 268-4114 FAX</p>	<p>CONCRETE PAVEMENT DETAILS</p>	
	<p>M. E. LINDEBAK P.E. - CITY ENGINEER</p>	
	<p>PROJECT NUMBER XXX-XXXXX</p>	<p>INDEX CODE XXXXXX</p>
	<p>DATE MAR 96</p>	<p>SHEET P2.2</p>