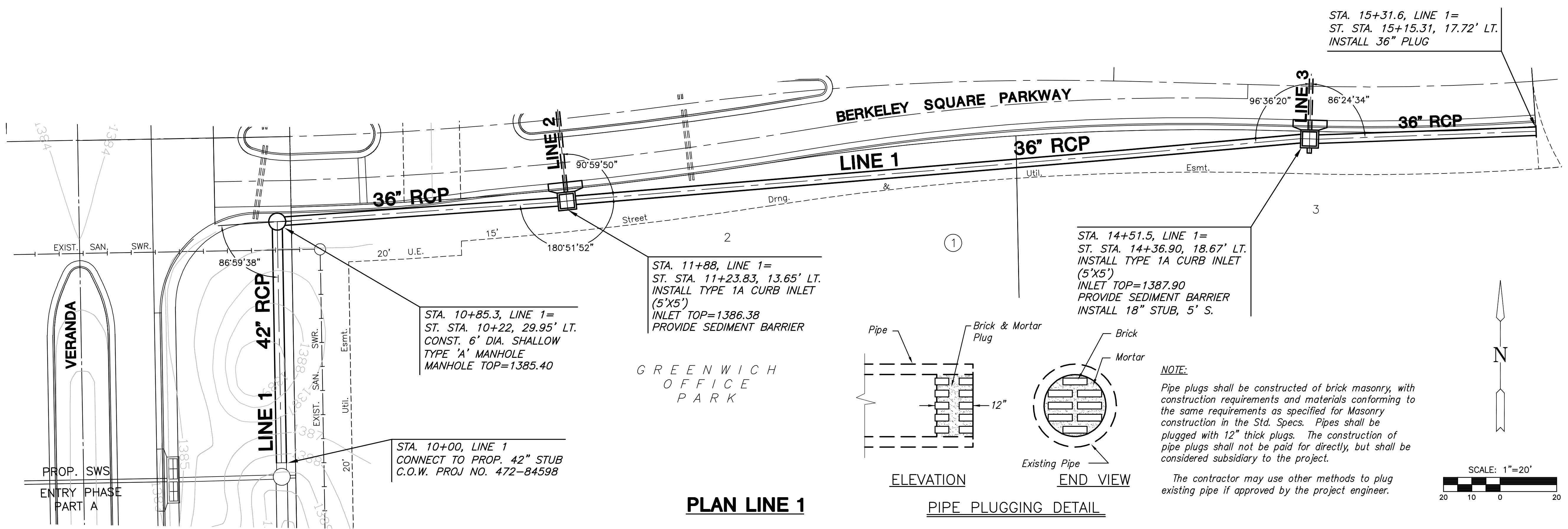
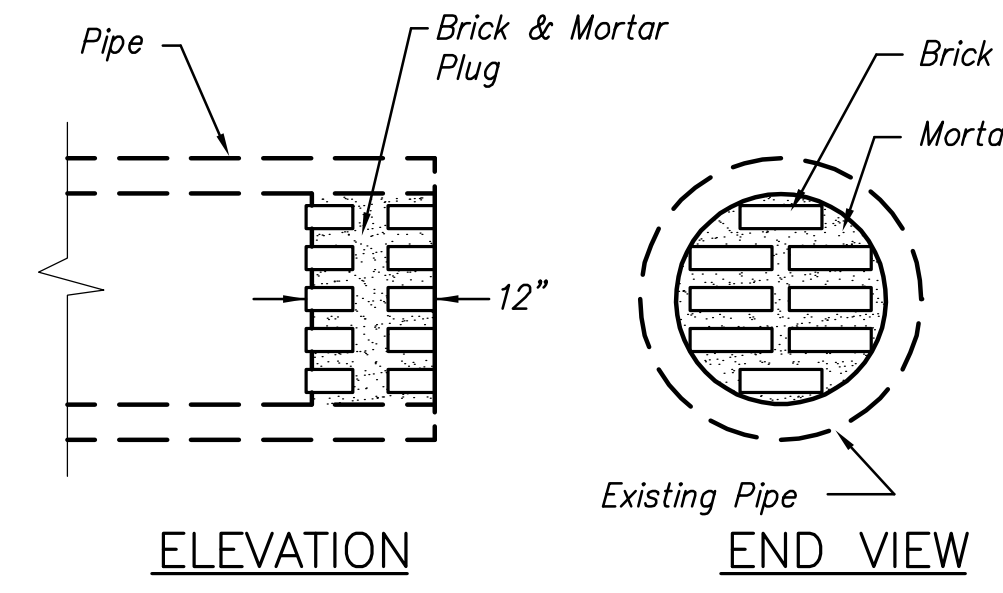


PAVING & INCIDENTAL DRAINAGE
GREENWICH OFFICE PARK ADD.
PHASE 1 - PART A



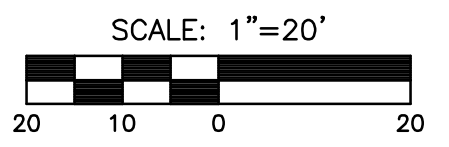
PLAN LINE 1



PIPE PLUGGING DETAIL

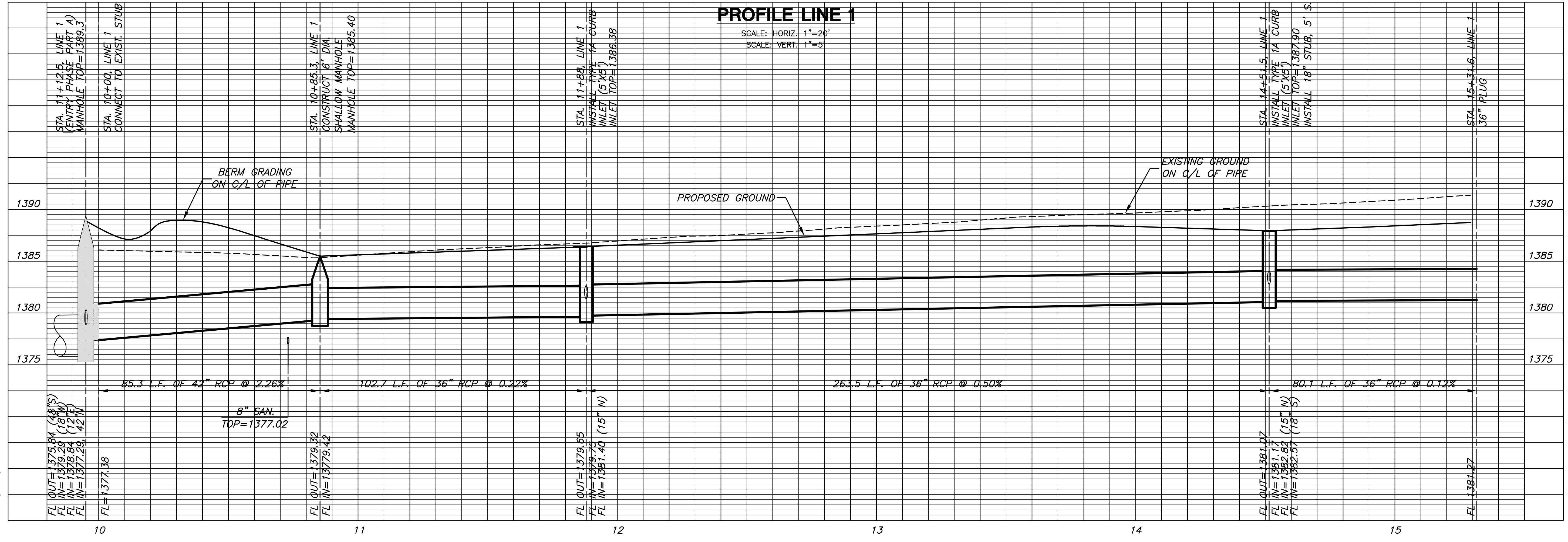
NOTE:
Pipe plugs shall be constructed of brick masonry, with construction requirements and materials conforming to the same requirements as specified for Masonry construction in the Std. Specs. Pipes shall be plugged with 12" thick plugs. The construction of pipe plugs shall not be paid for directly, but shall be considered subsidiary to the project.

The contractor may use other methods to plug existing pipe if approved by the project engineer.



PROFILE LINE 1

SCALE: HORIZ. 1"=20'
SCALE: VERT. 1"=5'



LINE 1
SHEET TITLE
472-84644
PROJECT NUMBER

DESIGN BY: **DFL**
DRAWN BY: **KKL**
CHECKED BY: **GJA**

ISSUED: **January 2008**
REVISED:

SHEET NO.
12 of 22

PLOTTED: Wednesday, January 16, 2008 @ 11:56AM
J:\DWG\07063\DWG\SWS\PH1\07063_01.DWG