

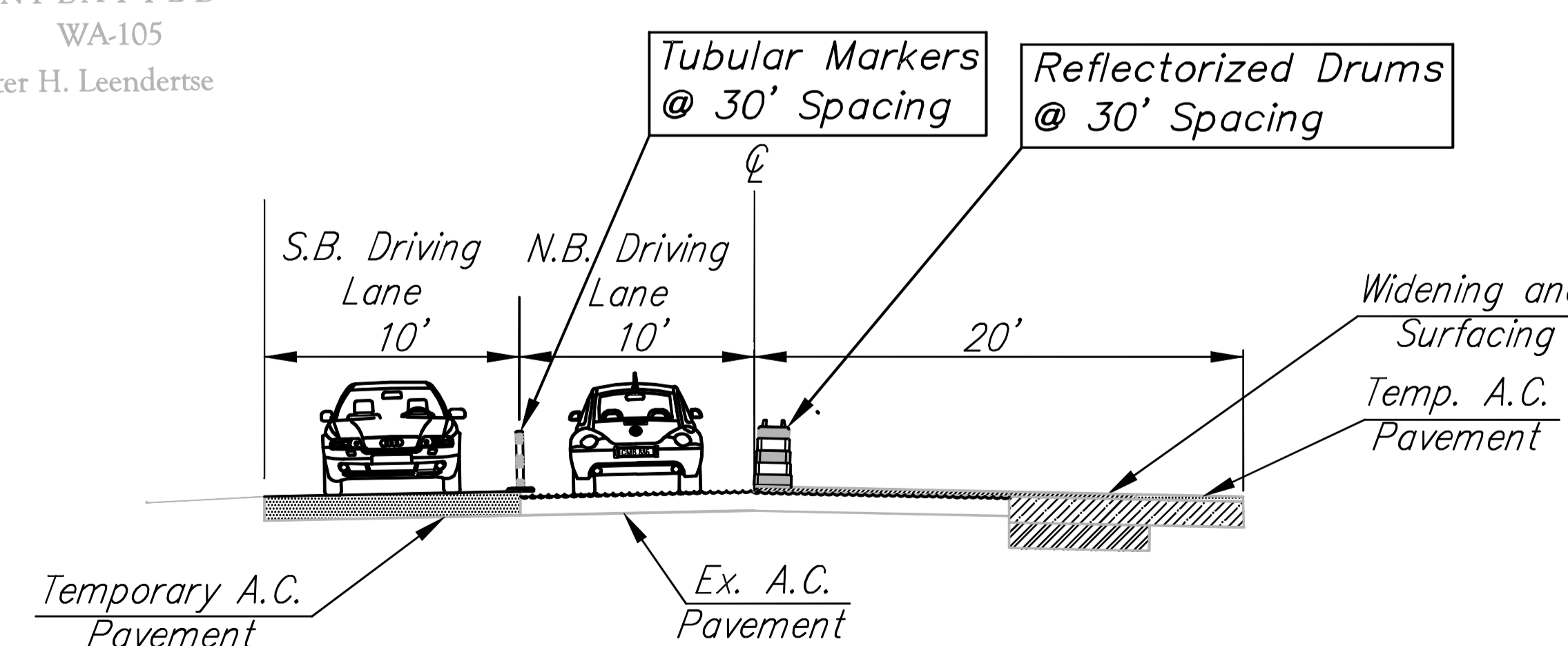
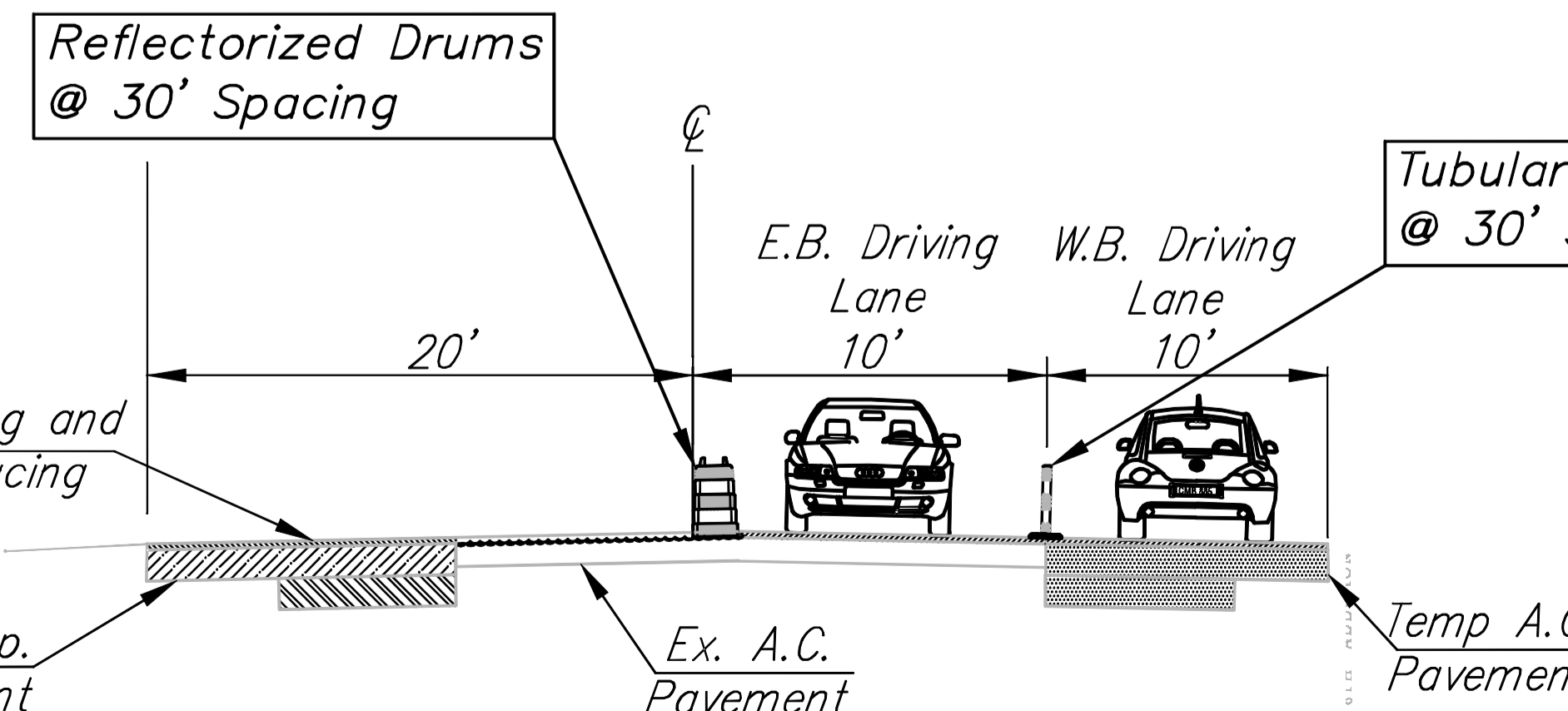
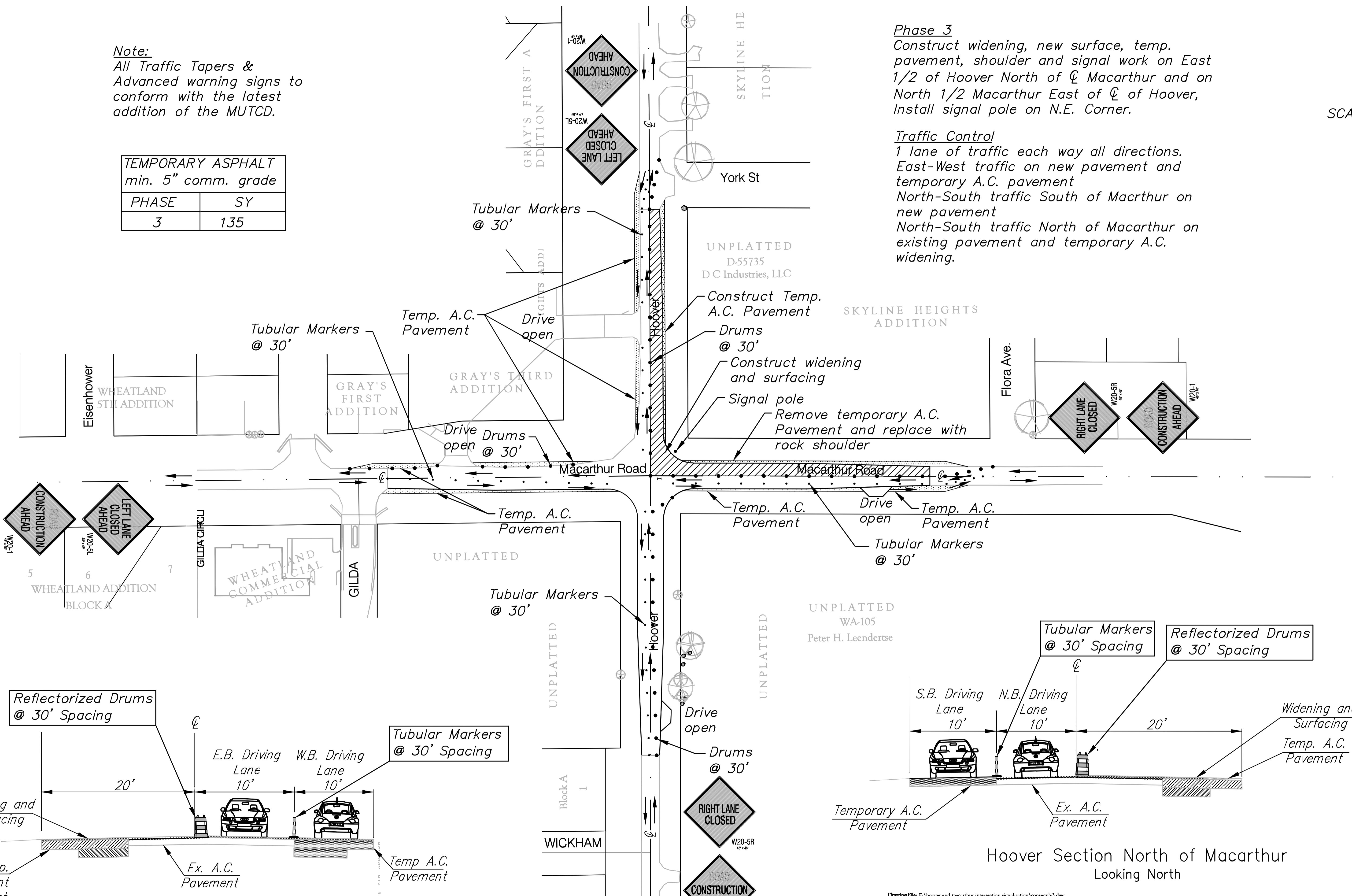
Note:
All Traffic Tapers &
Advanced warning signs to
conform with the latest
addition of the MUTCD.

TEMPORARY ASPHALT min. 5" comm. grade	
PHASE	SY
3	135

Phase 3
Construct widening, new surface, temp.
pavement, shoulder and signal work on East
1/2 of Hoover North of C Macarthur and on
North 1/2 Macarthur East of C of Hoover,
Install signal pole on N.E. Corner.

SCALE 1:60

Traffic Control
1 lane of traffic each way all directions.
East-West traffic on new pavement and
temporary A.C. pavement
North-South traffic South of Macarthur on
new pavement
North-South traffic North of Macarthur on
existing pavement and temporary A.C.
widening.



Macarthur Section East of Hoover
Looking East

Hoover Section North of Macarthur
Looking North