

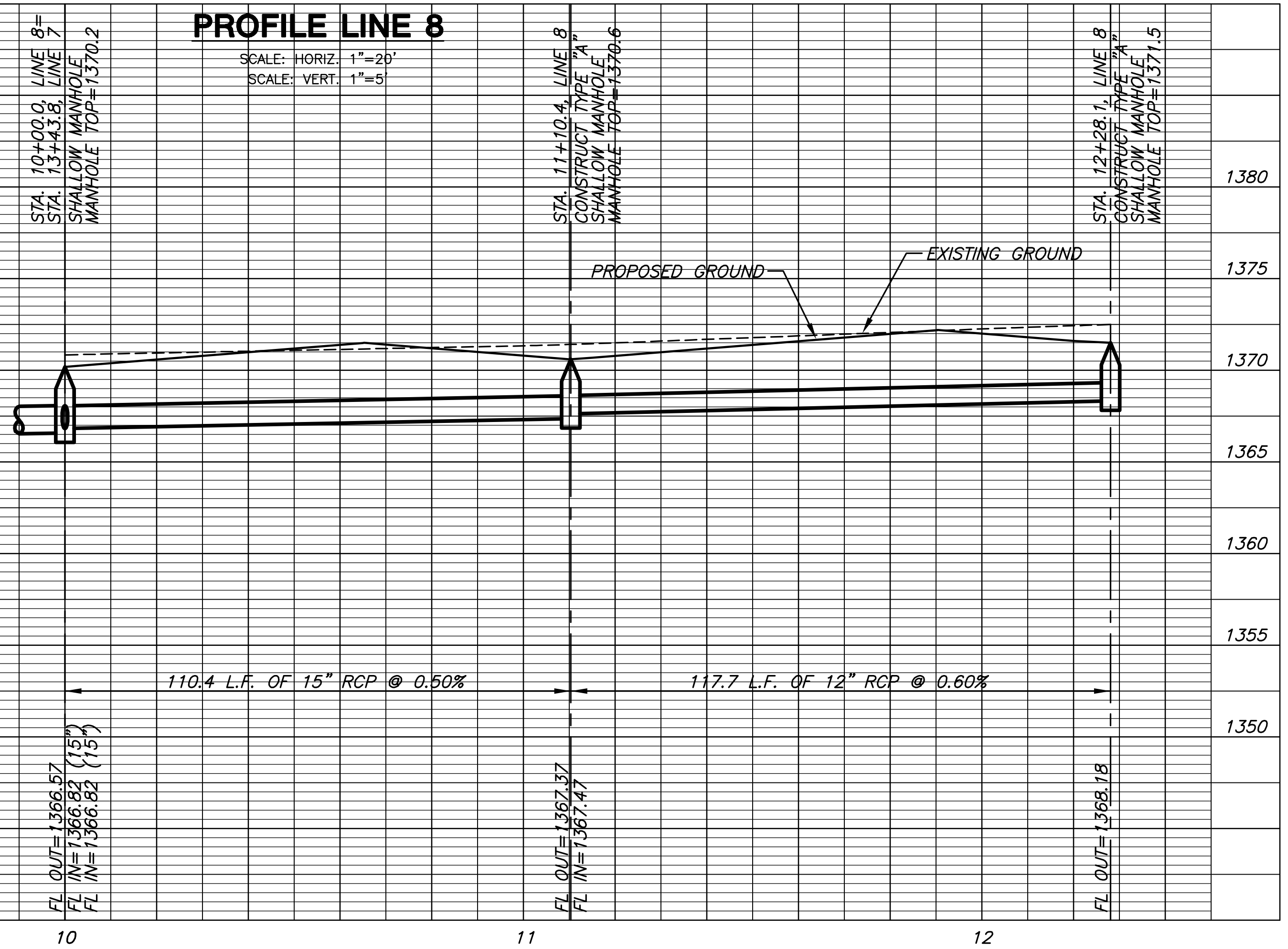
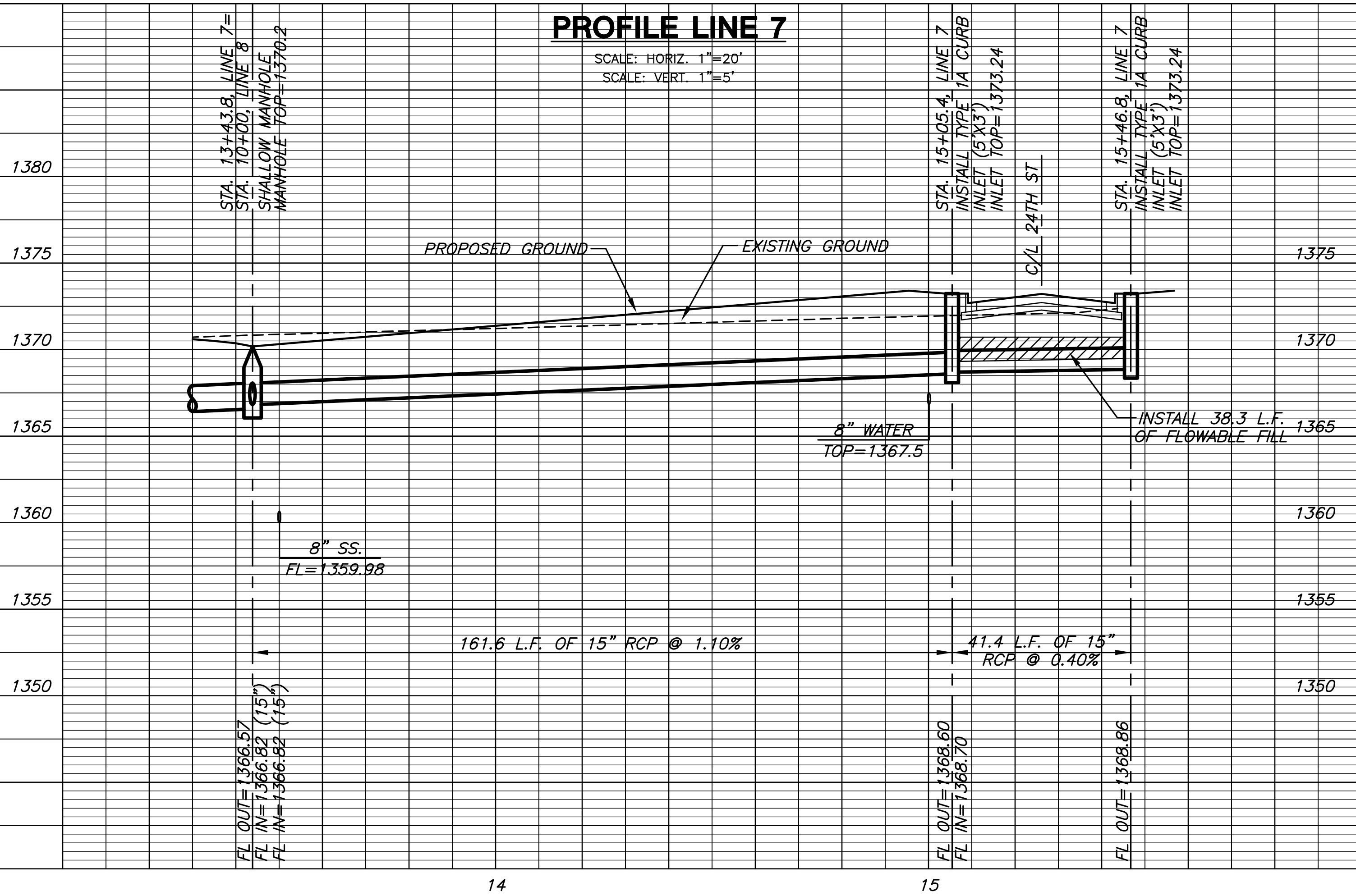
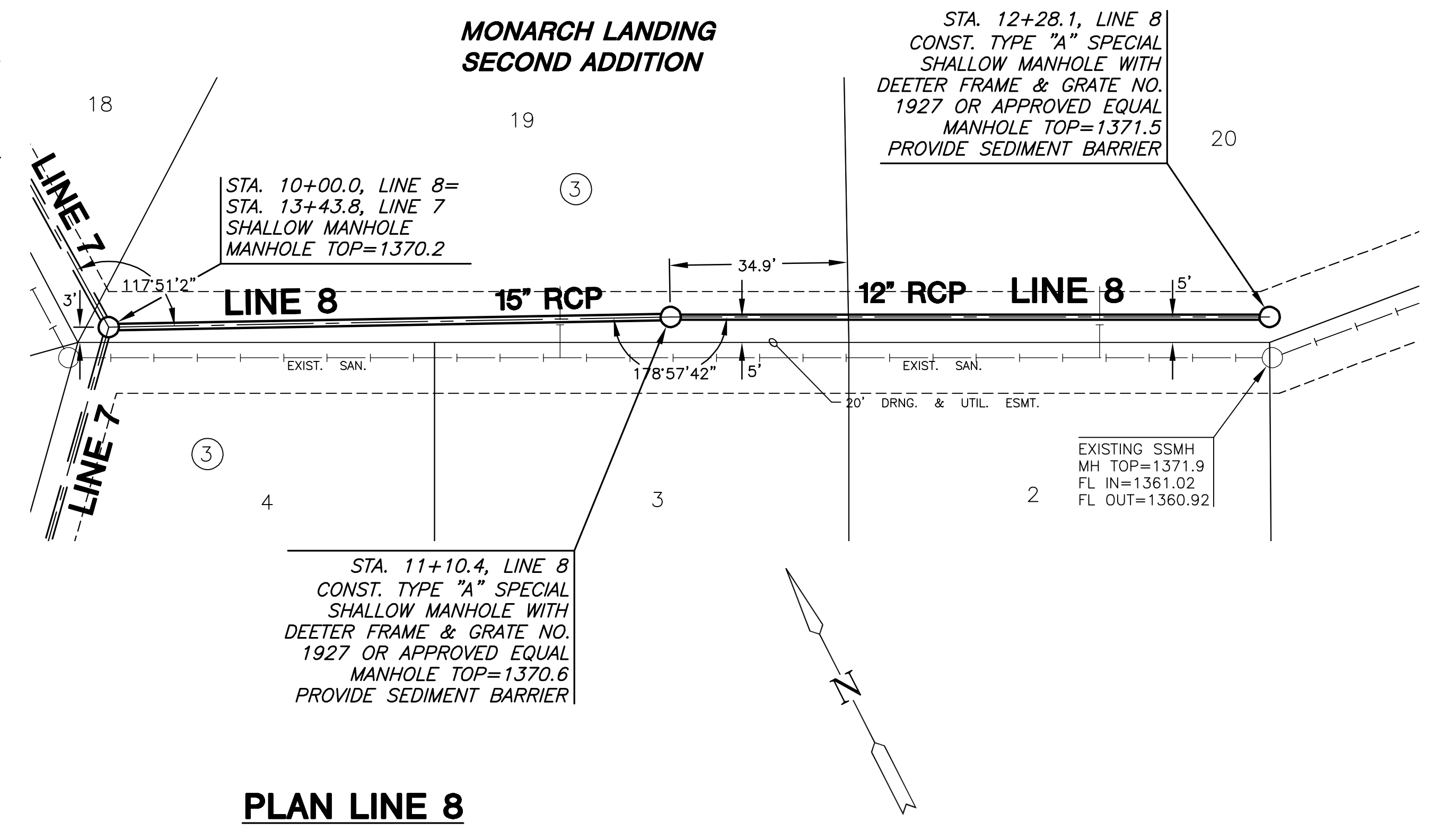
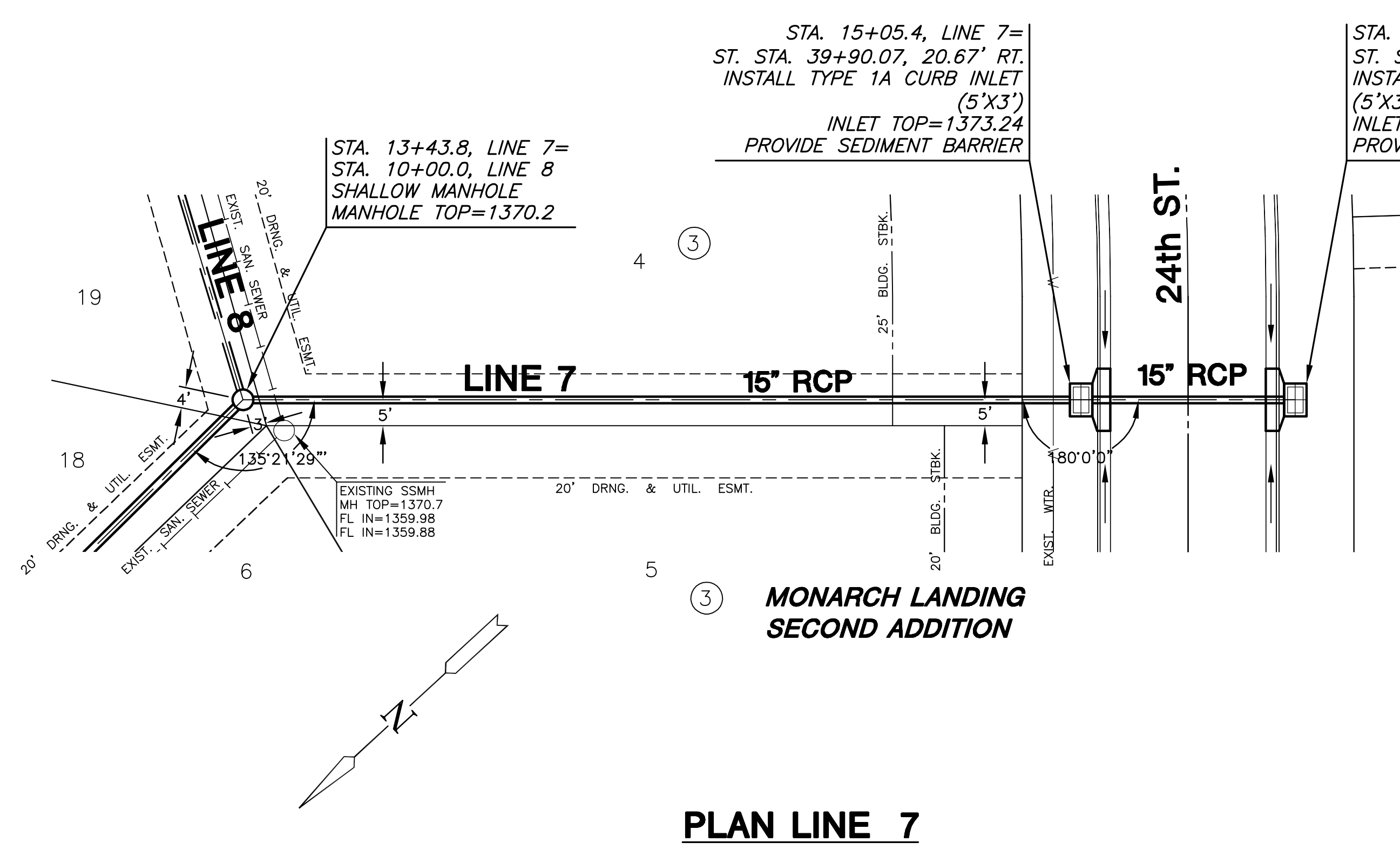
STORM WATER DRAIN PLANS
MONARCH LANDING SECOND ADDITION
PHASE 1

LINE 7 & 8
SHEET TITLE
468-84434
PROJECT NUMBER

DFL
DESIGN BY
GJA
DRAWN BY
ABC
CHECKED BY

ISSUED
February 2008
REVISED

SHEET NO.
13 of 27



PLOTTED: Wednesday, February 06, 2008 @ 10:58AM

J:\CIVIL\06201\07165\SWS\PHASE 1\07165D8.DWG