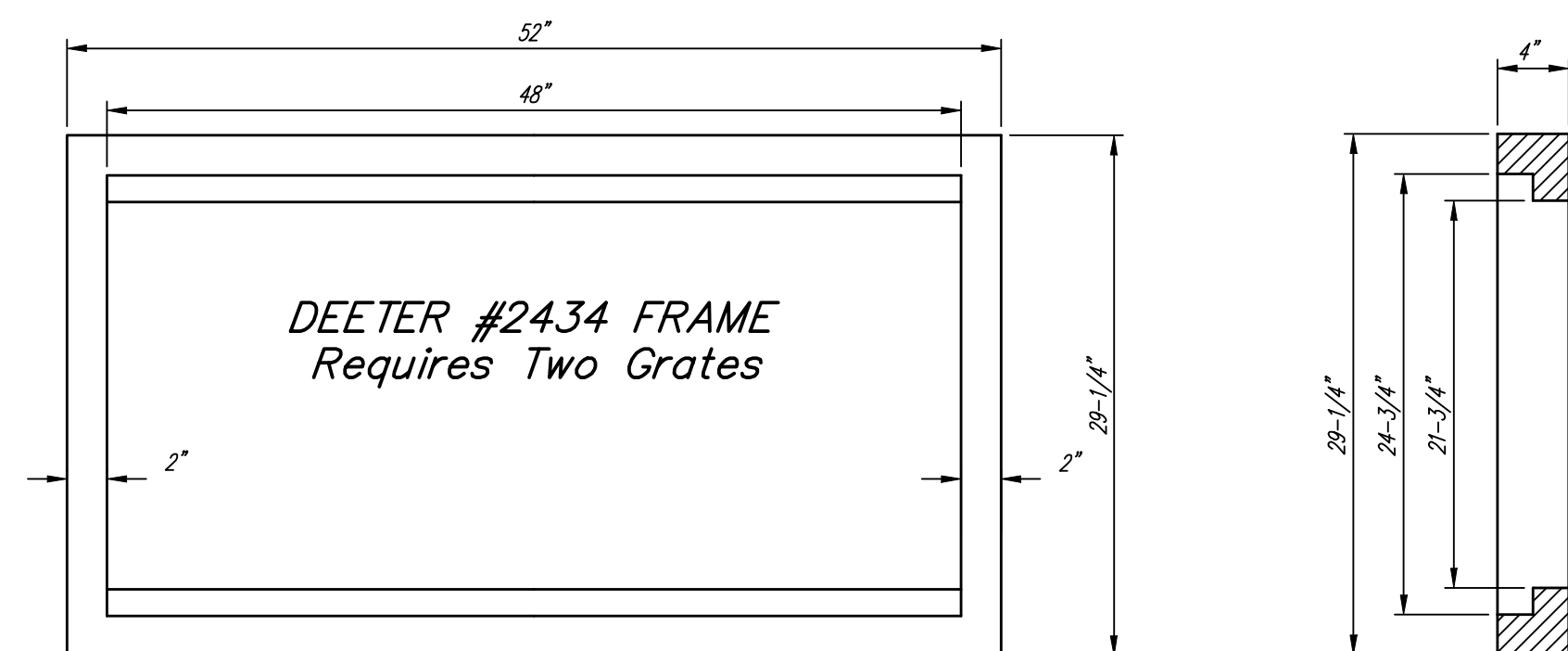


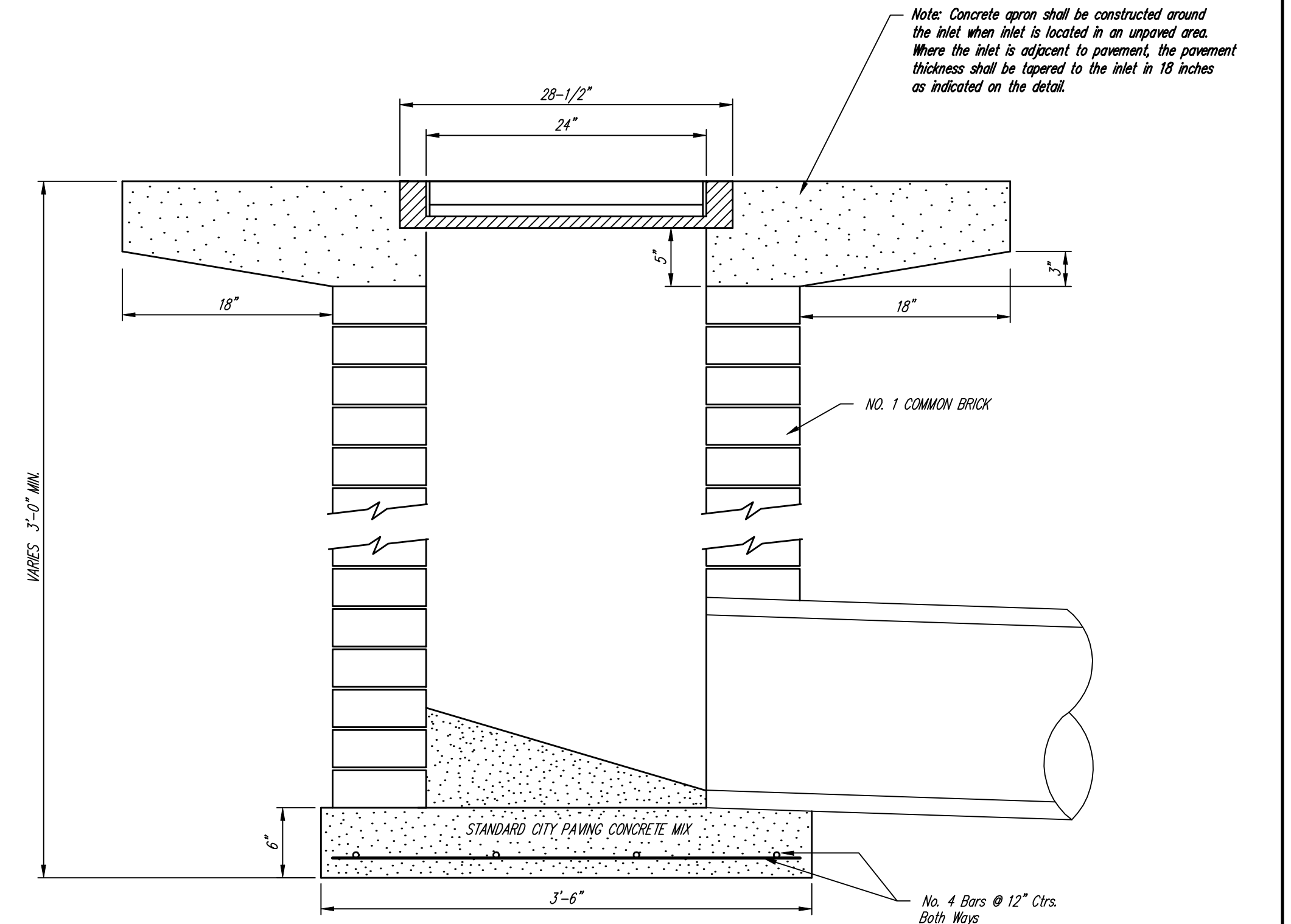
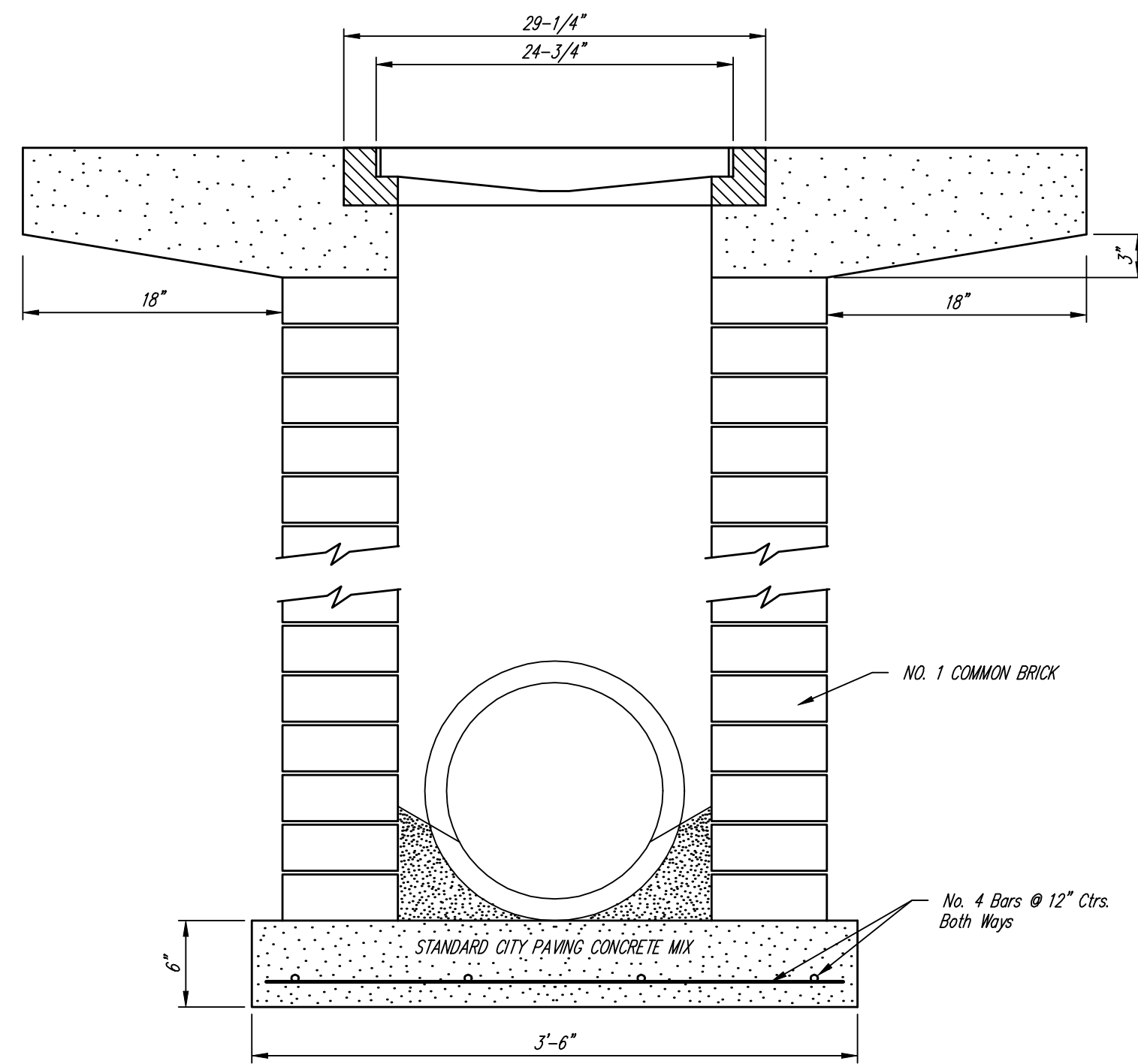
DEETER #2433 GRATE

24" x 24" Frame and Grate Detail

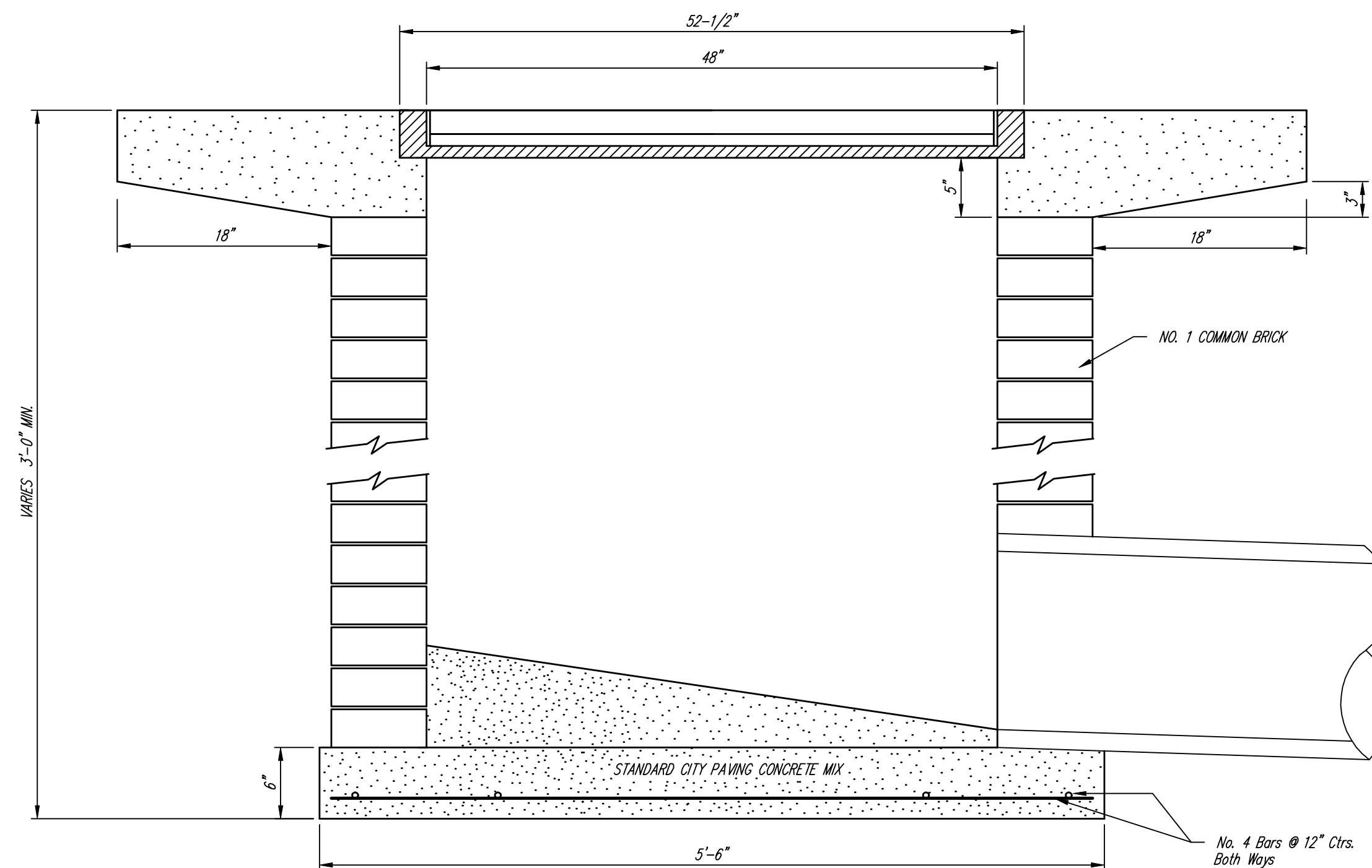
NOTE: Grates shall be imprinted on the top surface with "CITY OF WCHITA" using letters at least 1" in height. Other marking methods may be approved by the engineer.



Double 24" x 24" Frame Detail



Note: Concrete apron shall be constructed around the inlet when inlet is located in an unopened area. Where the inlet is adjacent to pavement, the pavement thickness shall be tapered to the inlet in 18 inches as indicated on the detail.



Baughman		Drop Inlet Detail	
Baughman Company, P.A. 315 Ellis St. Wichita, KS 67211 F 316-262-7771 F 316-262-0149 ENGINEERING SURVEYING PLANNING LANDSCAPE ARCHITECTURE			
PROJECT NUMBER	DESIGN	DRAWN	STAFF
REVISIONS:	APPROVED	DATE	1/22/08
	SCALE	None	
	SHEET	9 OF 20	