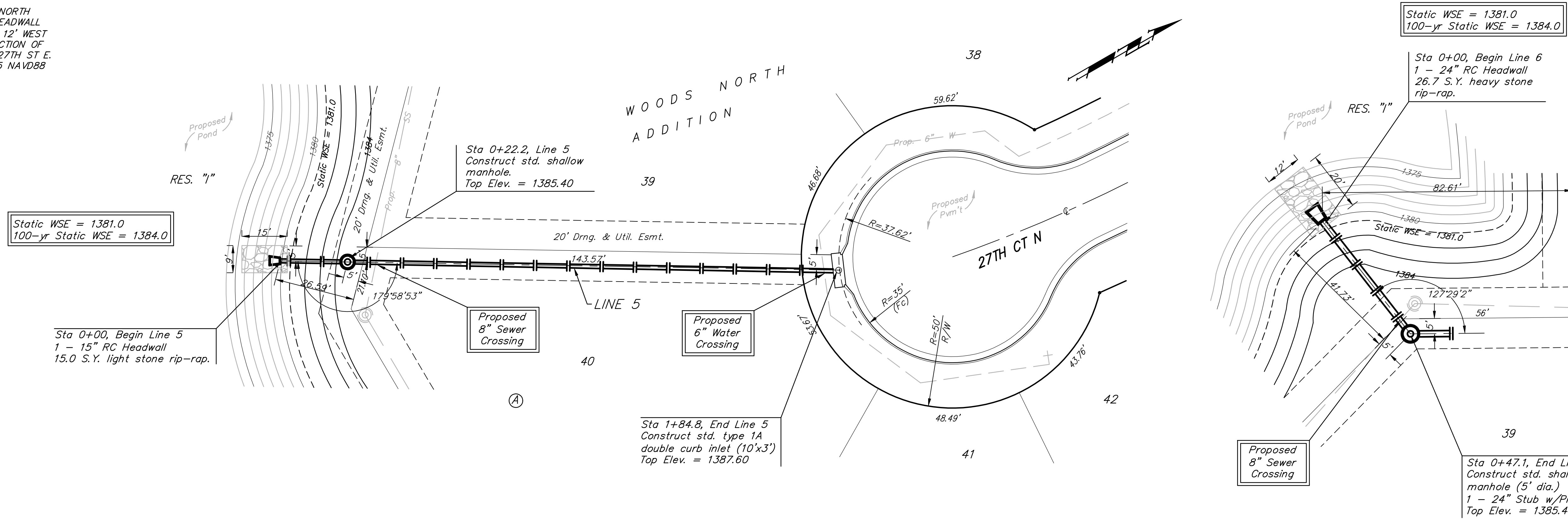
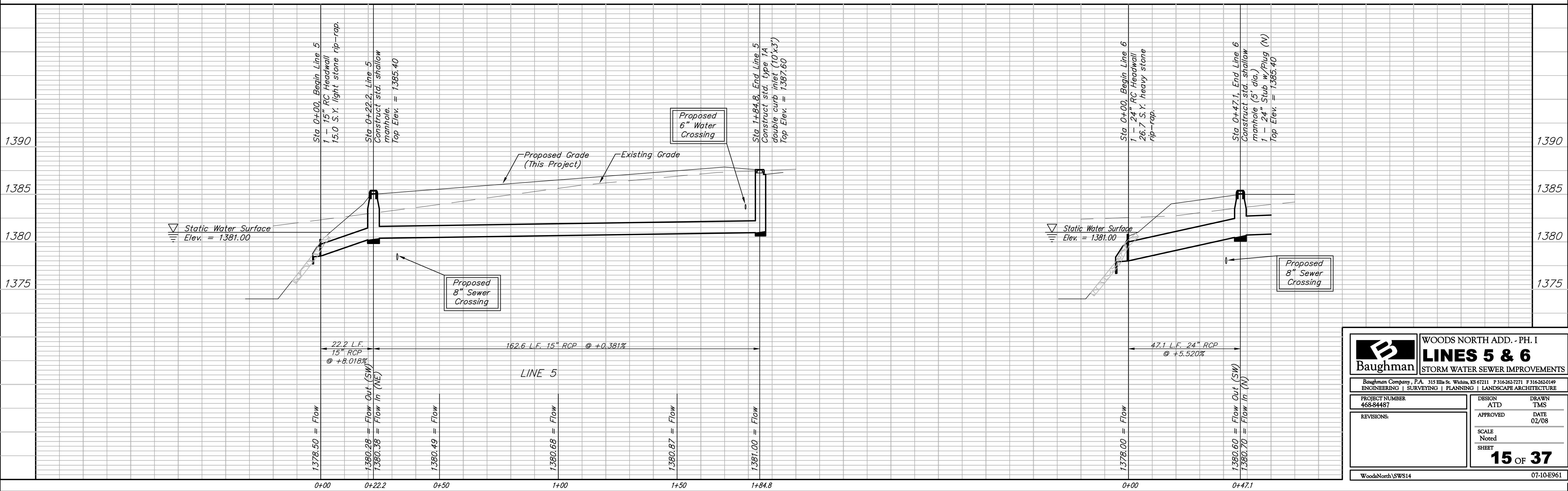


BENCHMARK:
 CROSS CUT ON NORTH
 END OF WEST HEADWALL
 137.5' SOUTH & 12' WEST
 OF THE INTERSECTION OF
 29TH ST N & 127TH ST E.
 ELEV. = 1382.45 NAVD88



Scale: 1" = 20' Horizontal
 1" = 5' Vertical
 • = Iron



		WOODS NORTH ADD. - PH. I	
		LINES 5 & 6 STORM WATER SEWER IMPROVEMENTS	
<small>Baughman Company, P.A. 315 Ellis St. Wichita, KS 67211 P 316-262-7271 F 316-262-0149 ENGINEERING SURVEYING PLANNING LANDSCAPE ARCHITECTURE</small>			
PROJECT NUMBER 468-84487	DESIGN ATD	DRAWN TMS	
REVISIONS:	APPROVED	DATE 02/08	
	SCALE Noted	SHEET	
		15 OF 37	
WoodsNorth/SWS14			07-10-E961