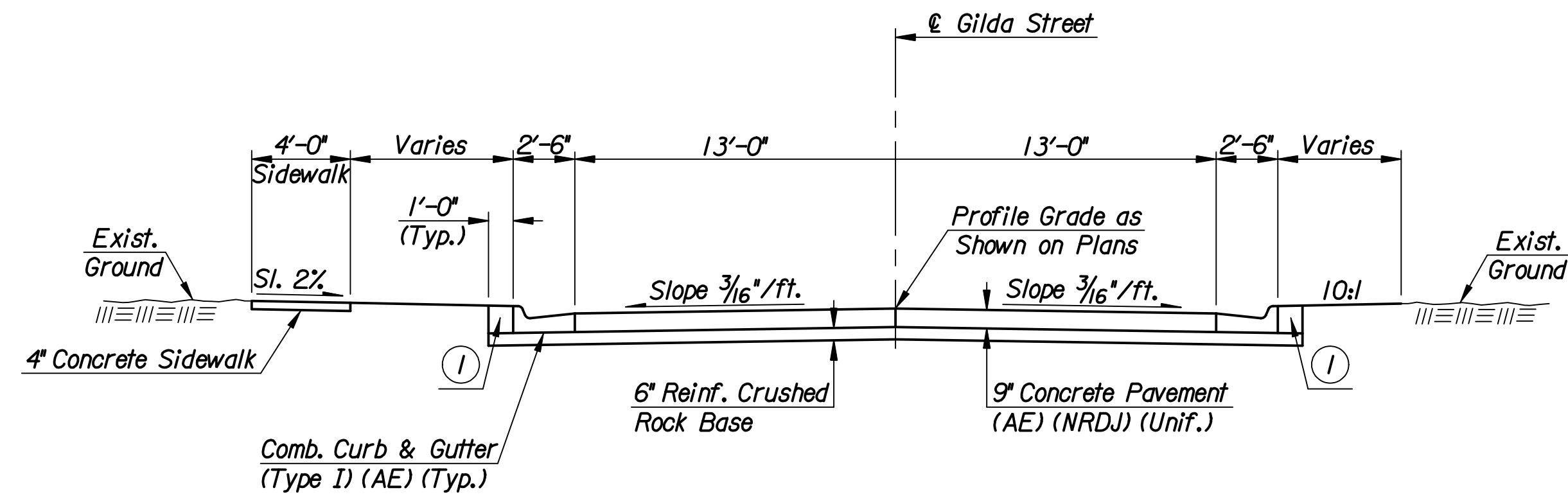
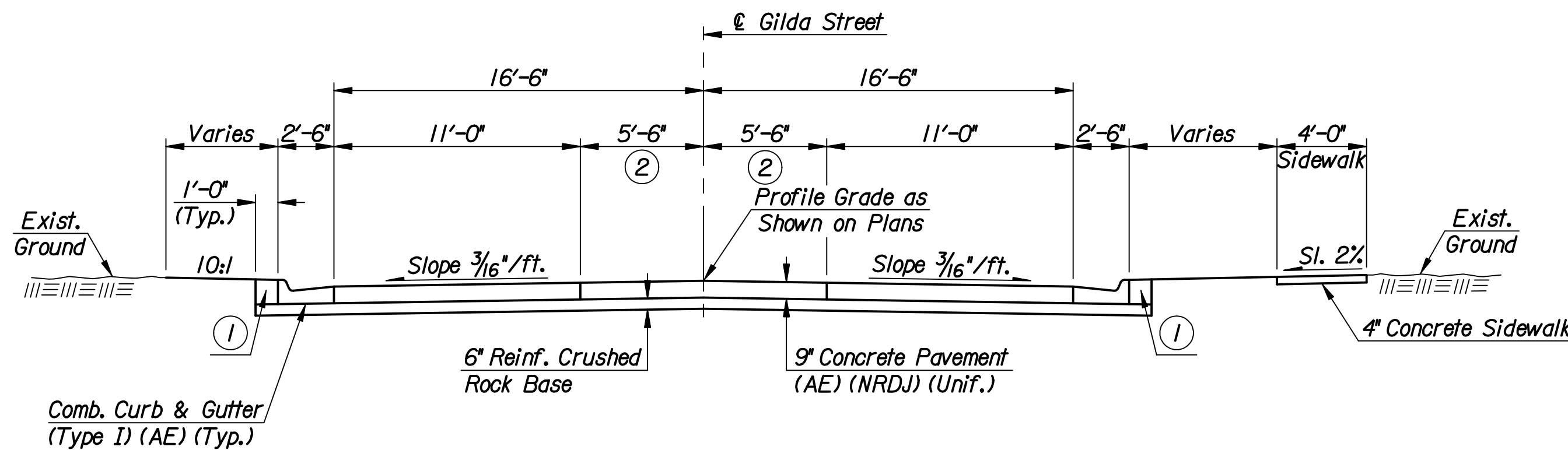


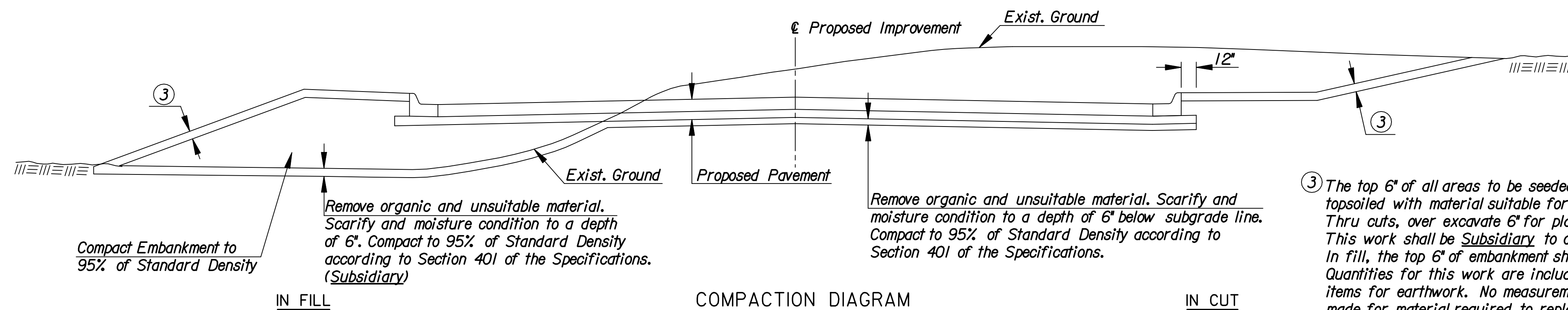
DSNR: PMJ OPER: DRP SCALE: 1"=5'
 I:/2006/06655/typical/06655-SRtypsecdgn LAST REV: 11-10-2007 BY: drp



GILDA STREET
 TYPICAL SECTION
 Sta. 198+43 to Sta. 200+00



GILDA STREET
 TYPICAL SECTION
 Sta. 200+00 to Sta. 203+00



COMPACTION DIAGRAM
 Note: All embankment, including sideroads and driveways shall be compacted.

- ① Backfill behind Curb. Quantities for this work are included in the Earthwork Summary Table.
- ② 5'-6" from Sta. 200+00 to Sta. 202+00. Varies from 5'-6" at Sta. 202+00 to 2'-0" at Sta. 203+00.

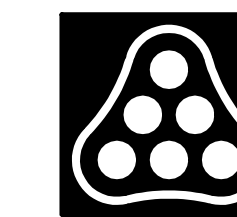
CRUSHED ROCK GRADATION REQUIREMENTS

PERCENT OF AGGREGATE RETAINED

| | |
|--------|-------|
| 2-1/2" | 0 |
| 3/4" | 20-60 |
| #4 | 50-80 |
| #40 | 80-94 |
| #200 | 90-98 |

Rock quality shall conform to the requirements specified by the KDOT 2007 Edition Standard Specification Subsection 1102 for Durability Class I.

- ③ The top 6" of all areas to be seeded shall be topsoiled with material suitable for growth of vegetation. Thru cuts, over excavate 6" for placement of topsoil. This work shall be Subsidiary to other earthwork items. In fill, the top 6" of embankment shall be topsoil. Quantities for this work are included in the contract bid items for earthwork. No measurement or payment will be made for material required to replace material excavated during stripping operations.



| | | | |
|---|----------|---------|---------------|
| No. | Revision | By | Date |
| CENTRAL AVENUE | | | |
| TYPICAL SECTIONS | | | |
| JAMES L. ARMOUR, P.E. - CITY ENGINEER CITY OF WICHITA PROJECT NO. 472-84639 | | | |
| Professional Engineering Consultants, P.A. 303 S. TOPEKA • WICHITA, KANSAS 67202 316-262-2691 • FAX 316-262-3003 | | | |
| Designed by | PMJ | Job No. | 06655 |
| Drawn by | DRP/AKL | Date | Jan. 2008 |
| | | | Sht. 4 of 142 |