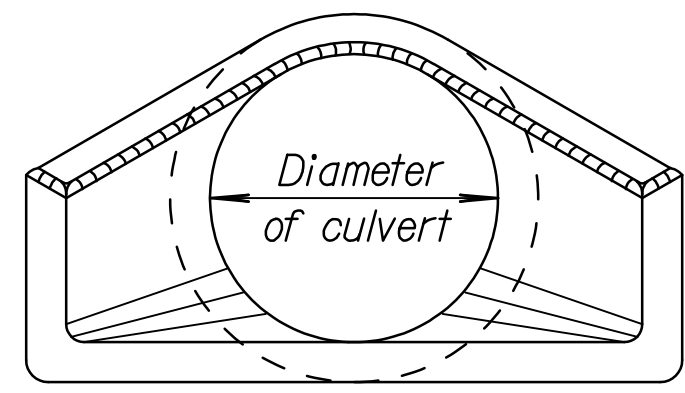
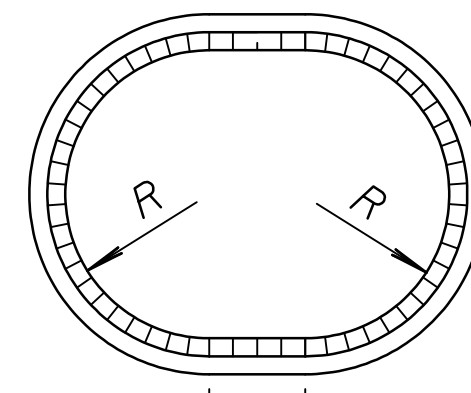
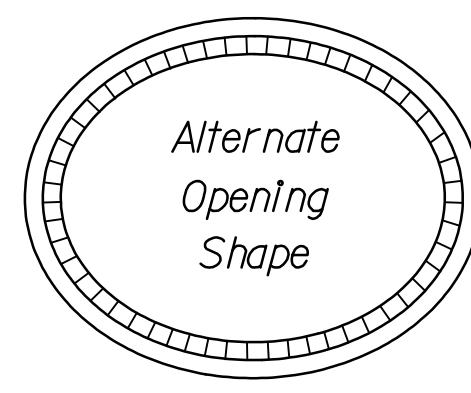


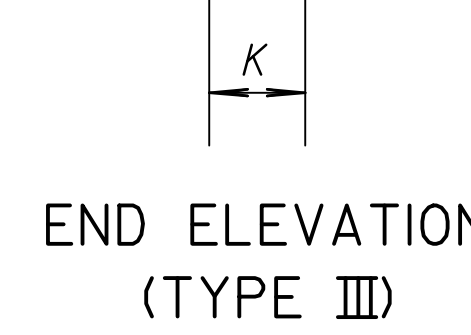
STATE	PROJECT NO.	YEAR	SHEET NO.	TOTAL SHEETS
KANSAS	472-84639	2008	31	142



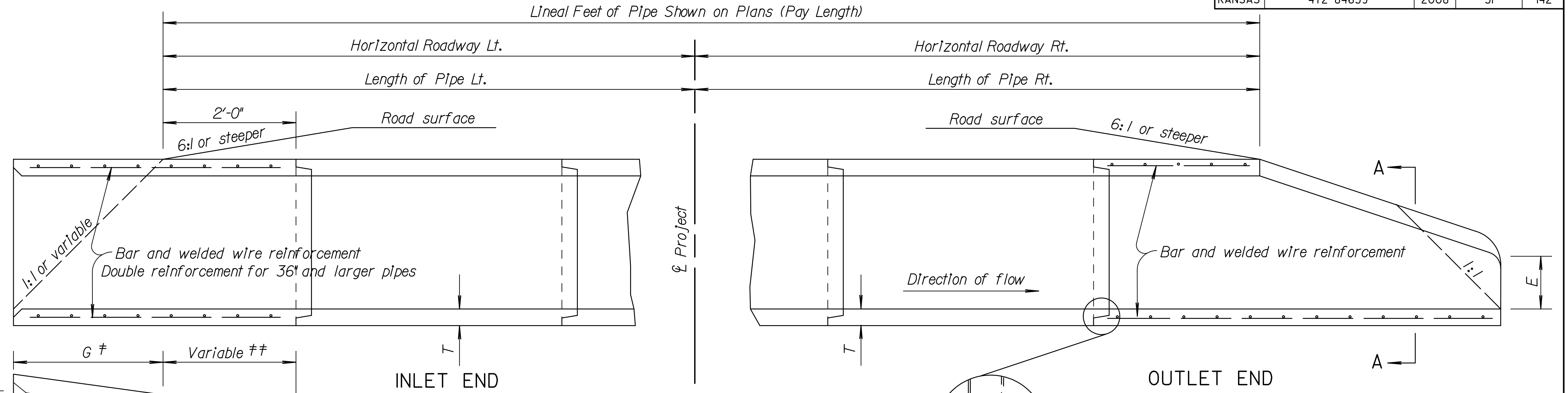
END ELEVATION (TYPE I)



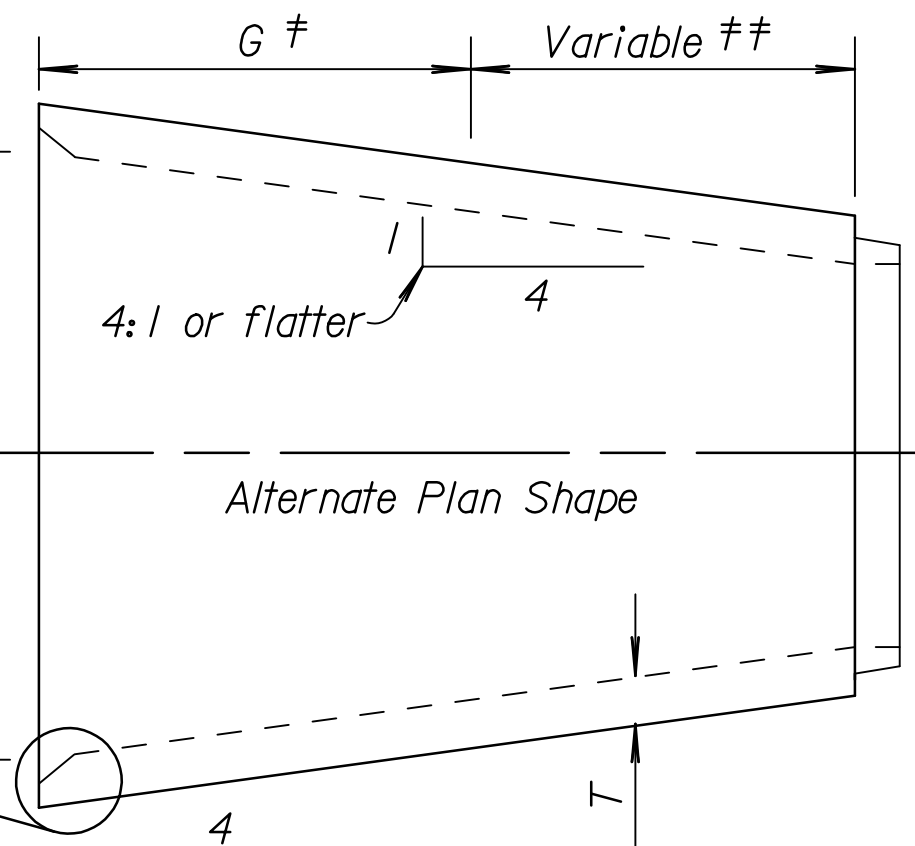
SECTION A-A  
Showing rounding of inside edge of end section.



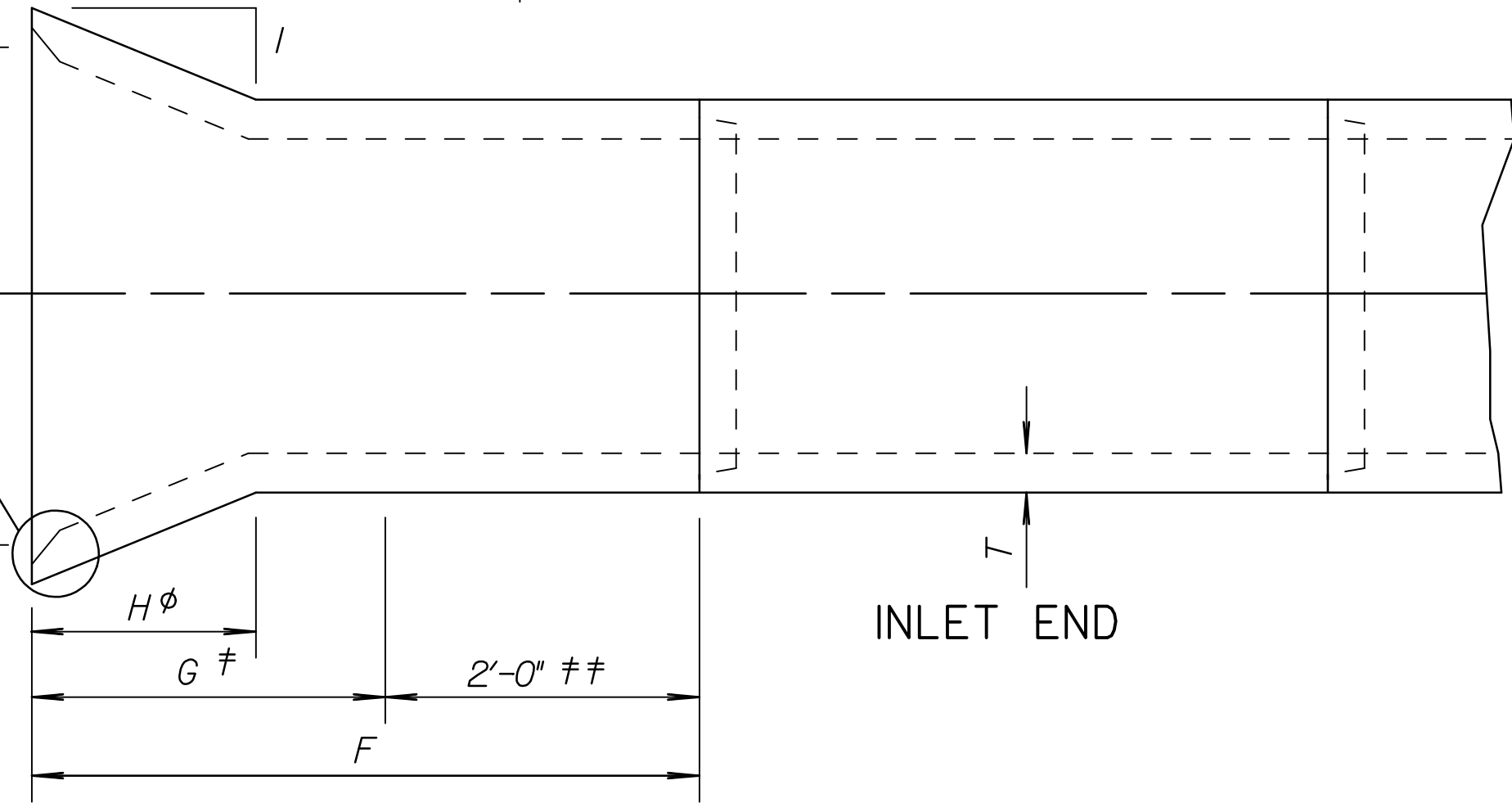
END ELEVATION (TYPE III)



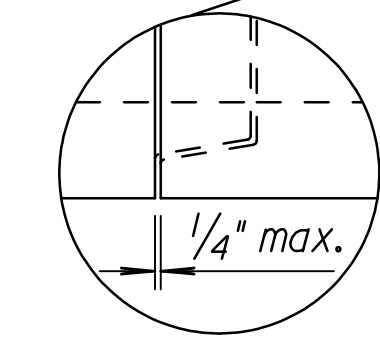
ELEVATION SECTION



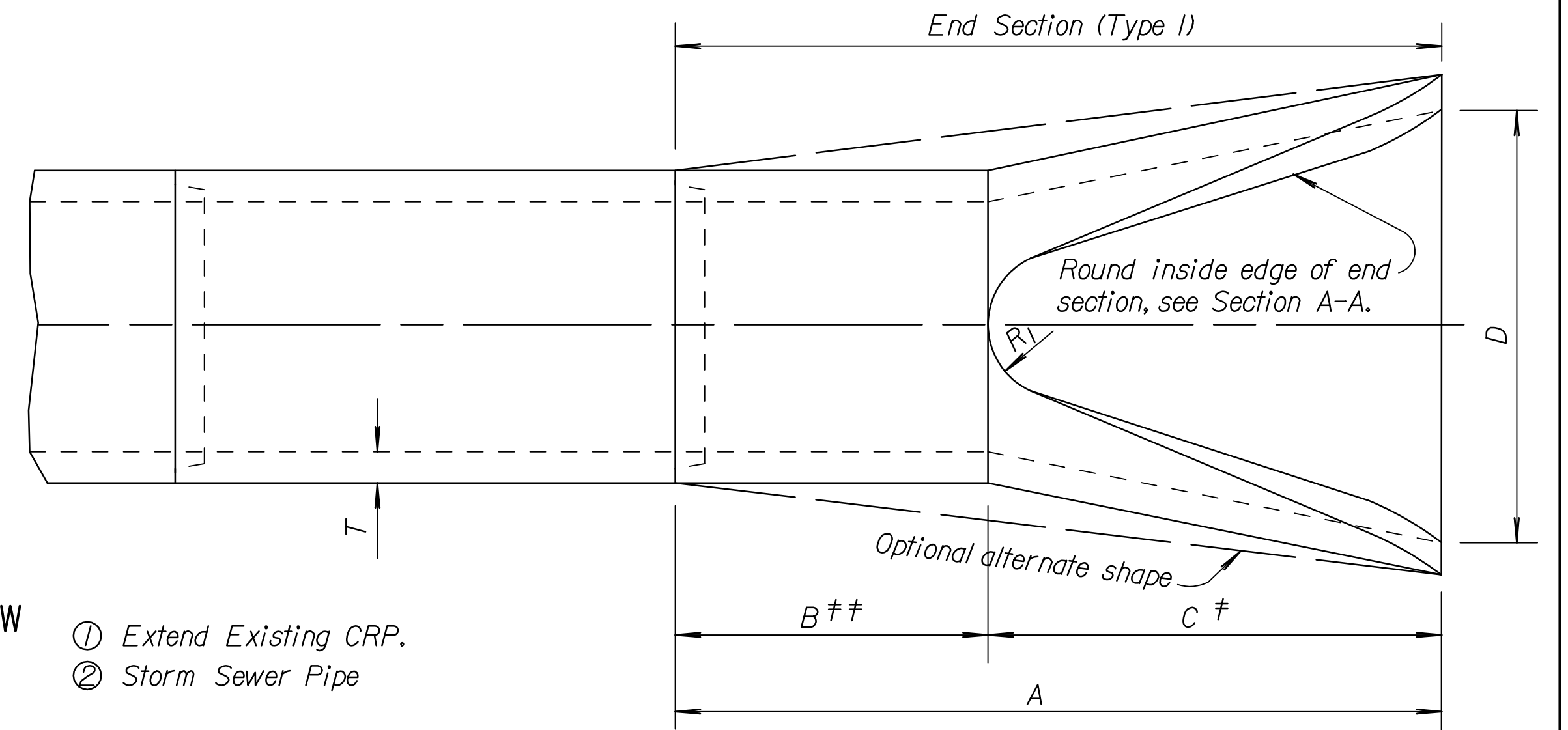
Alternate Plan Shape



PLAN VIEW



Note: Gain in length due to joint fit tolerance will not be paid for.



OUTLET END

END SECTION (TYPE I) NOMINAL DIMENSIONS								
Diam.	A	B <sup>##</sup>	C <sup>‡</sup>	D	E	R <sub>1</sub>	Slope	T
12"	6'-0 7/8"	4'-0 7/8"	2'-0"	2'-0"	4"	9	3:1	2"
15"	6'-1"	3'-10"	2'-3"	2'-6"	6"	11	3:1	2 1/4"
18"	6'-1"	3'-10"	2'-3"	3'-0"	9"	12	3:1	2 1/2"
24"	6'-1 1/2"	2'-6"	3'-7 1/2"	4'-0"	9 1/2"	14	3:1	3"
30"	6'-1 3/4"	1'-7 3/4"	4'-6"	5'-0"	1'-0"	15	3:1	3 1/2"
36"	8'-1 3/4"	2'-10 3/4"	5'-3"	6'-0"	1'-3"	20	3:1	4"
42"	8'-2"	2'-11"	5'-3"	6'-6"	1'-9"	22	3:1	4 1/2"
48"	8'-2"	2'-2"	6'-0"	7'-0"	2'-0"	22	3:1	5"
54"	8'-2 1/4"	2'-9 1/4"	5'-5"	7'-6"	2'-3"	24	2.4 : 1	5 1/2"
60"	8'-3"	3'-3"	5'-0"	8'-0"	2'-11"	24	2:1	6"
72"	8'-3"	1'-9"	6'-6"	9'-0"	3'-0"	24	1.86 : 1	7"
84"	9'-3 1/2"	1'-9"	7'-6 1/2"	10'-0"	3'-0"	24	1.6 : 1	8"

SIDE TAPERED INLET SECTION (TYPE III)-NOMINAL DIMENSIONS									
Diam.	Min. W.W. Area Sq.Ft.	F	G	H	I	J	K	R	T
24"	4.5	4'-3"	2'-3"	1'-5 1/8"	2'-8"	1 1/2"	8"	1'-0"	3"
30"	7.0	4'-9 1/2"	2'-9 1/2"	1'-9 1/2"	3'-4"	2"	10"	1'-3"	3 1/2"
36"	10.1	5'-4"	3'-4"	2'-1 1/2"	4'-0"	2"	1'-0"	1'-6"	4"
42"	13.7	5'-10 1/2"	3'-10 1/2"	2'-5 7/8"	4'-8"	2 1/2"	1'-2"	1'-9"	4 1/2"
48"	17.9	6'-5"	4'-5"	2'-10 1/8"	5'-4"	3"	1'-4"	2'-0"	5"
54"	22.7	6'-11 1/2"	4'-11 1/2"	3'-2 1/2"	6'-0"	3 1/2"	1'-6"	2'-3"	5 1/2"
60"	28.0	7'-6"	5'-6"	3'-6 7/8"	6'-8"	4"	1'-8"	2'-6"	6"
72"	40.3	8'-7"	6'-7"	4'-3 5/8"	8'-0"	5"	2'-0"	3'-0"	7"
84"	54.8	9'-8"	7'-8"	5'-0 3/8"	9'-4"	6"	2'-4"	3'-6"	8"

Dimensions for alternate shapes shall be equal to or greater than those shown in the table, unless otherwise shown.

PIPE CULVERT SUMMARY														
Station	Location	Type	Size	Profile Grade Elev.	Flow line		Horizontal Roadway		Degree of Rotation	Length of Pipe		End Sects.		
					LT.	RT.	LT.	RT.		LT.	RT.	LT.	RT.	
① 298+94.71	Ramp B	RCP	24"	1309.03	1304.52	1304.40	-	42.08	-	-	24'	24'	-	1
② 52+60.41	Central	RCP	24"	1309.92	1304.53	1304.40	-	105.45	14°30'00" Rt.	-	64'	64'	-	1

Note: The culverts listed on this sheet may or may not indicate that the culvert installed will be reinforced concrete, steel, or aluminum.

Drawn By: djp  
Plotted: 1/15/2008  
File: I:\2006\06655\Standards\06655-rf662.dgn

DESIGNED	6-10-05	APP'D.	James O. Brewer
DESIGNED CK.	DATE	REVISIONS	BY
DESIGNED CK.	DATE	REVISIONS	BY

KANSAS DEPARTMENT OF TRANSPORTATION  
**CONCRETE END SECTIONS FOR CONCRETE PIPES**  
**TYPE I & SIDE TAPERED INLET SECTION (TYPE III)**  
**RD662**