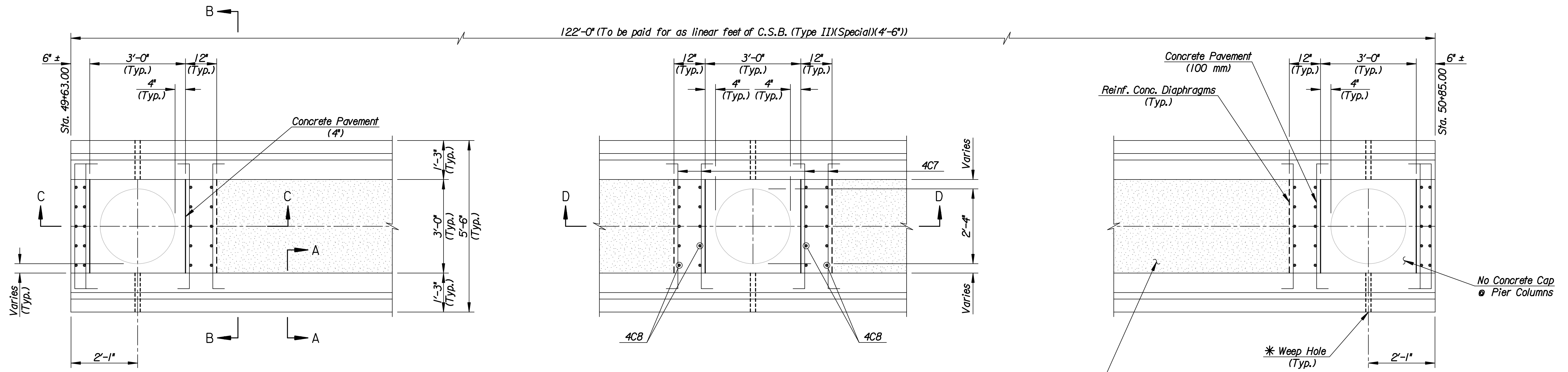
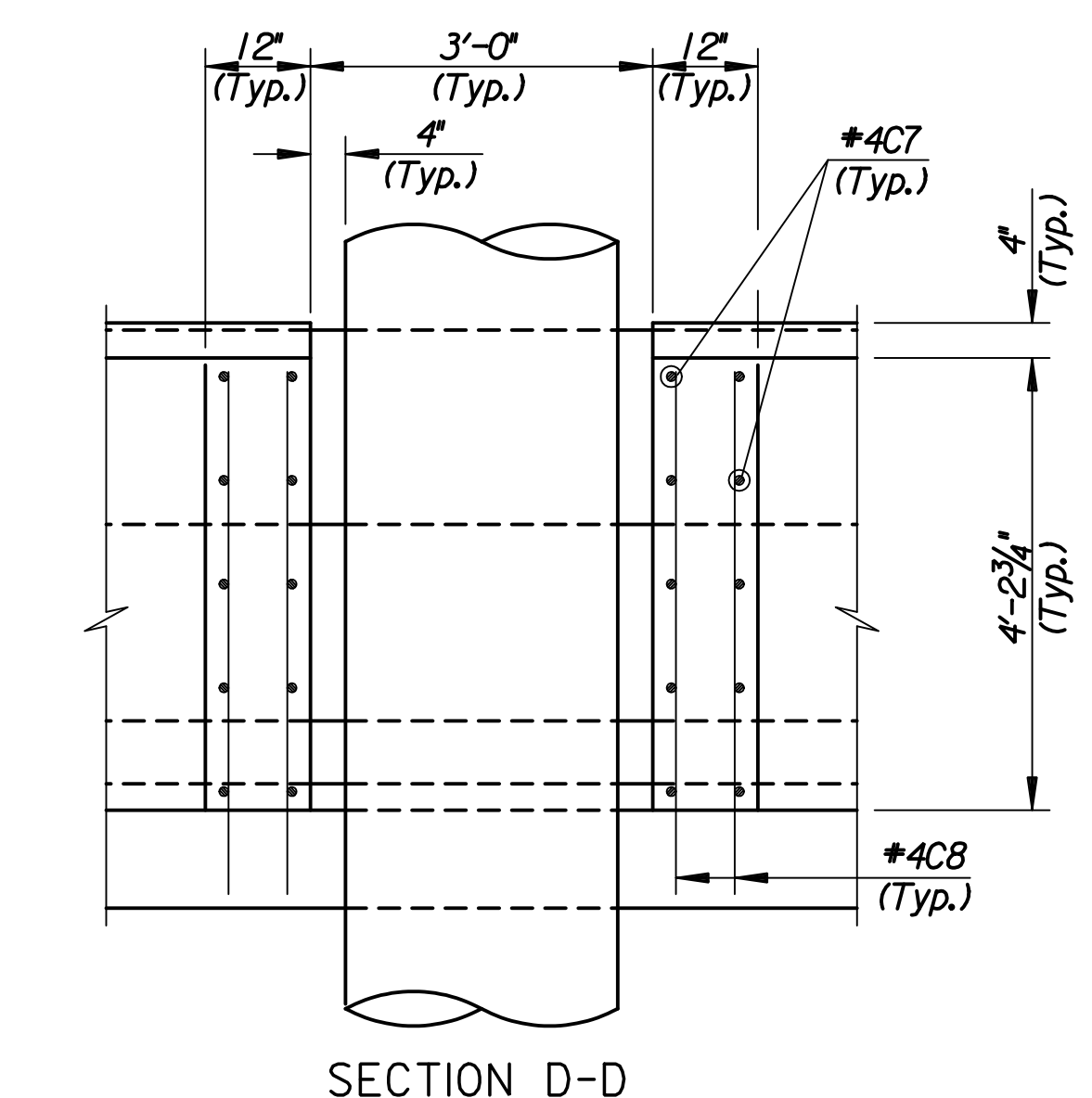


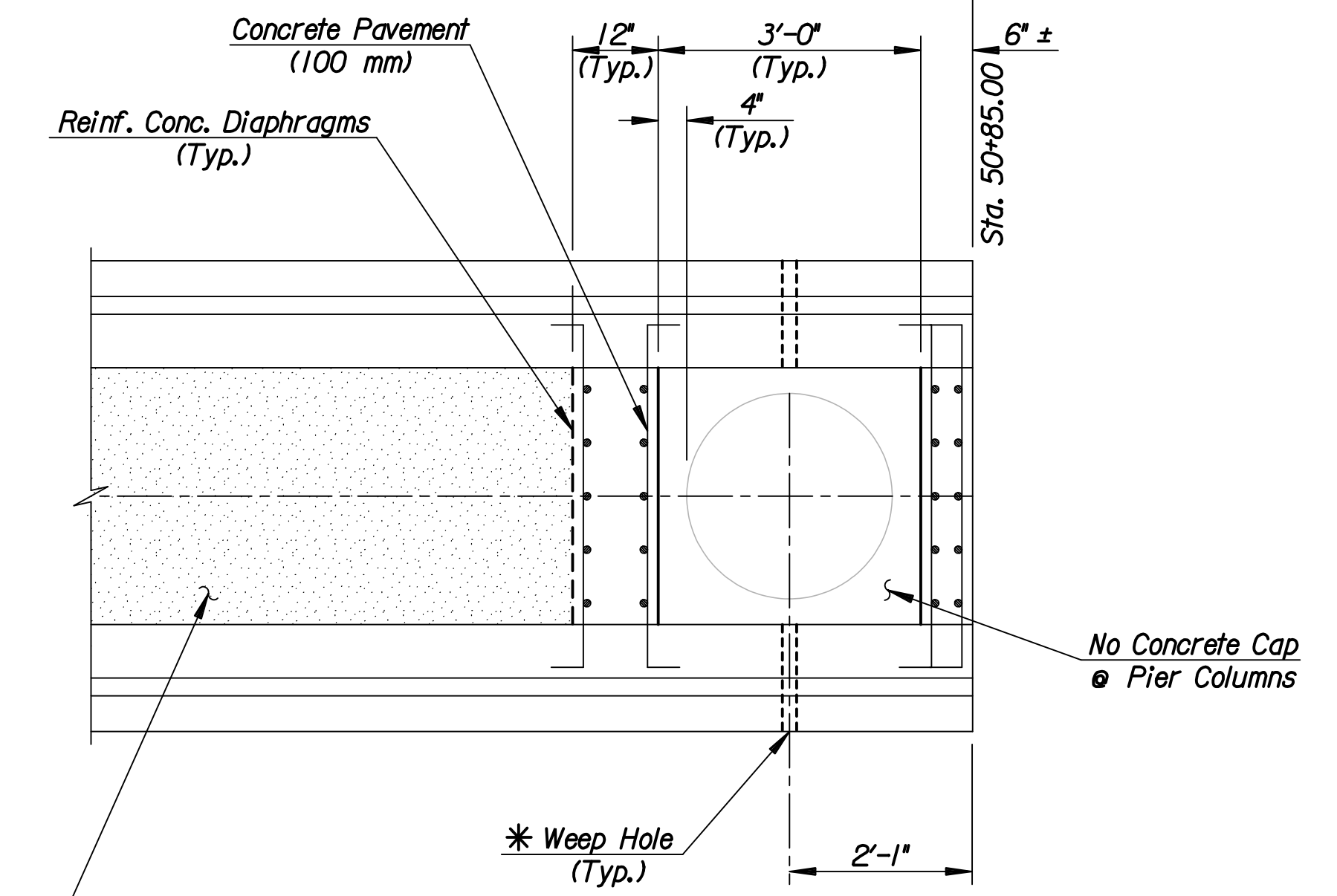
DSNR: RAS OPER: DRP SCALE: I:/2006/06655/BRIDGE/MEDIABARRIER/06655-MEDIABARRIER.DGN LAST REV: 12-13-2007 BY: drp



PLAN



SECTION D-D



Median Filler Material (Sand) * 2" Dia. Weep Holes. Place Filter Fabric over Weep Hole on fill side. Locate at C of Columns and at the midpoints between Columns.

MINIMUM SPLICE LENGTHS

#4 bars	1'-4"
#6 bars	2'-0"

REINFORCING STEEL

Straight Bars				Bent Bars			
Mark	No.	Size	Length	Mark	No.	Size	Length
C1	40	#6	31'-11"	C3	166	#4	5'-0"
C2	48	#4	31'-5"	C4	166	#5	4'-0"
C8	120	#4	4'-7"	C5	166	#4	3'-2"
				C6	166	#4	4'-2"
				C7	120	#4	4'-9"

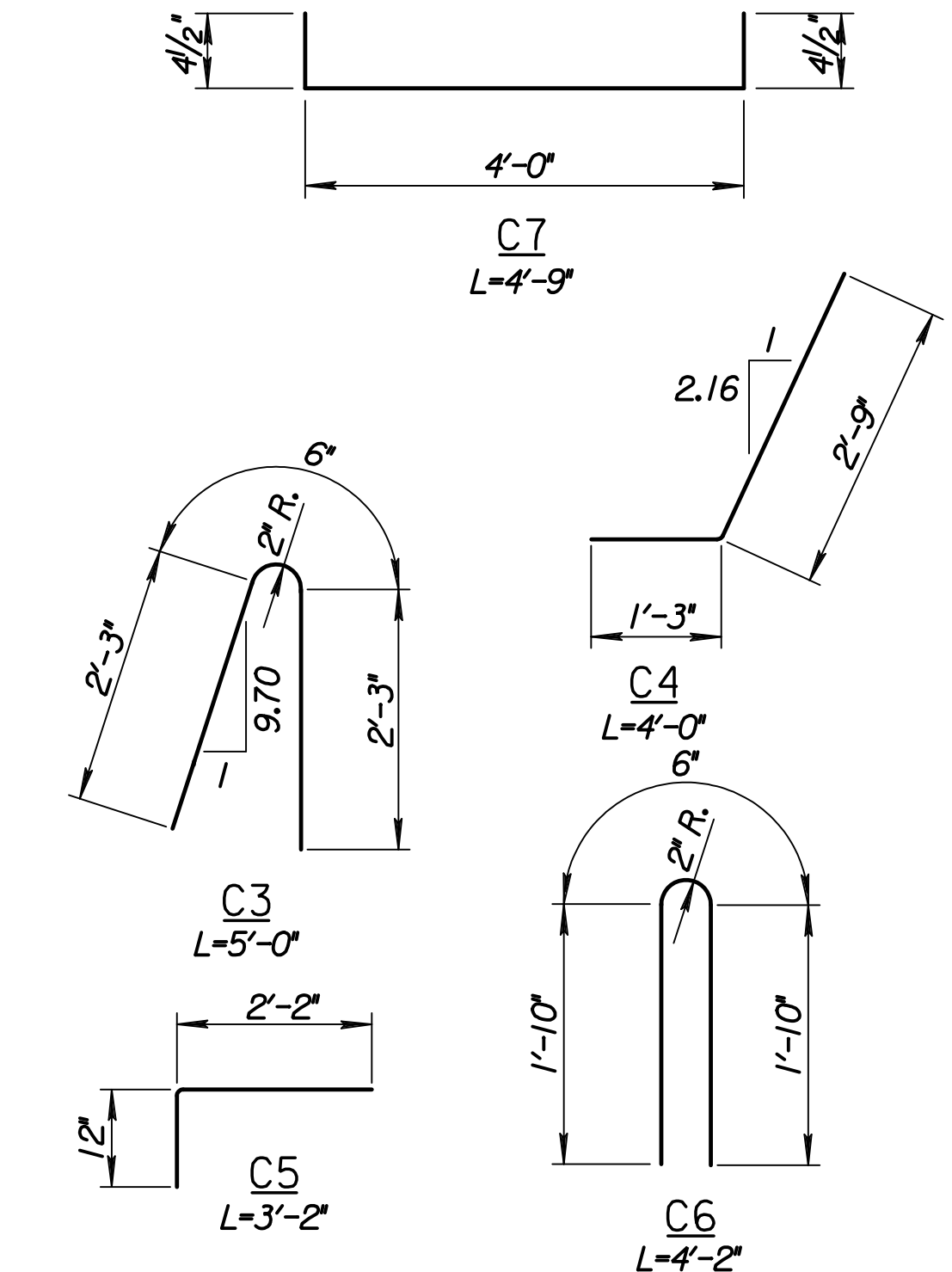
BILL OF MATERIALS

Item	Quantity	Unit
† Grade 3.0 Concrete (AE)	68.6	C.Y.
† Reinf. Steel (Grade 60) (Epoxy Coated)	57.34	Lb.
* Median Filler Material (Sand)	44	C.Y.

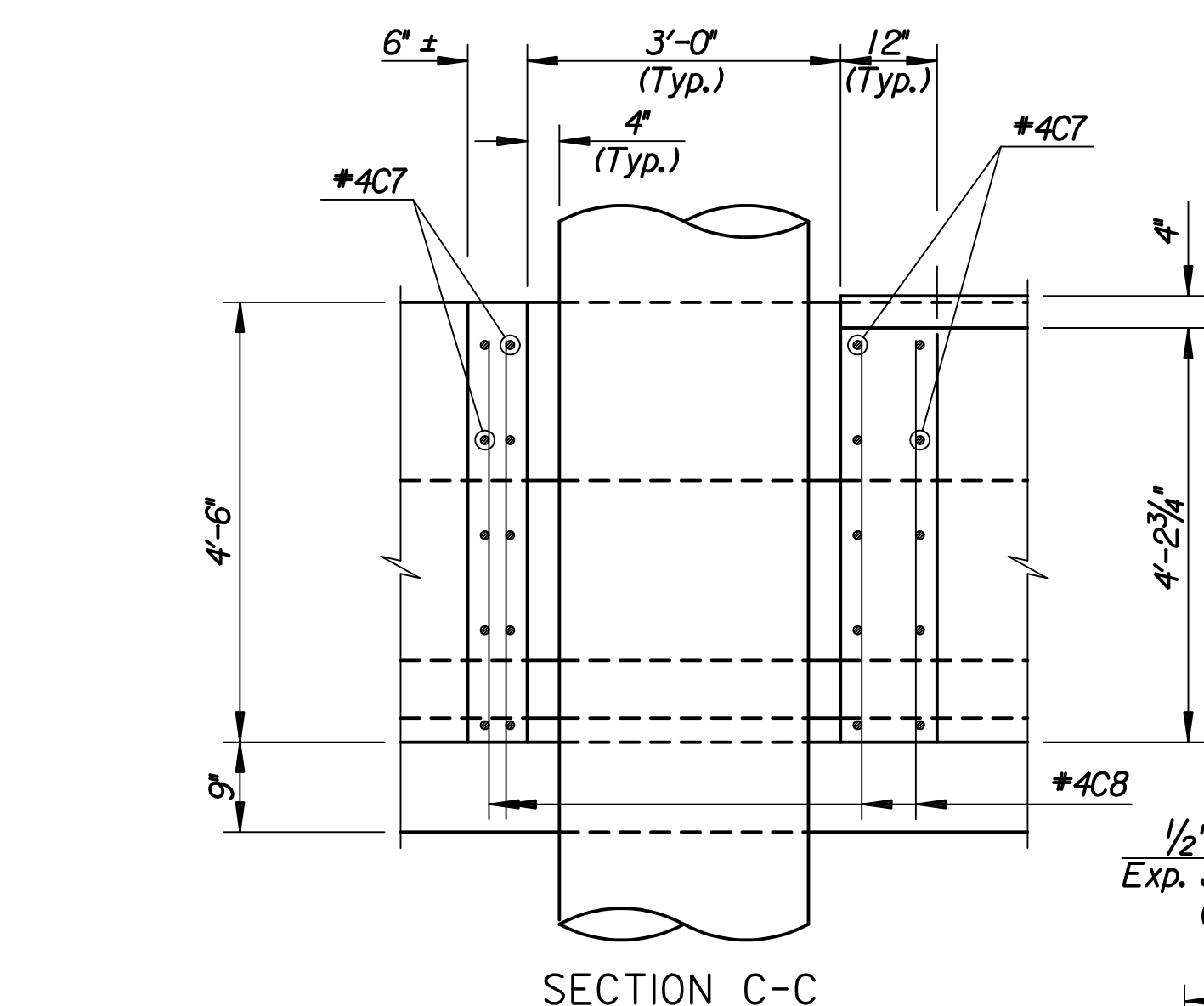
I Required this location.

* Median Filler Material (Sand) (Pay Item)
 † Quantities for Information Only.

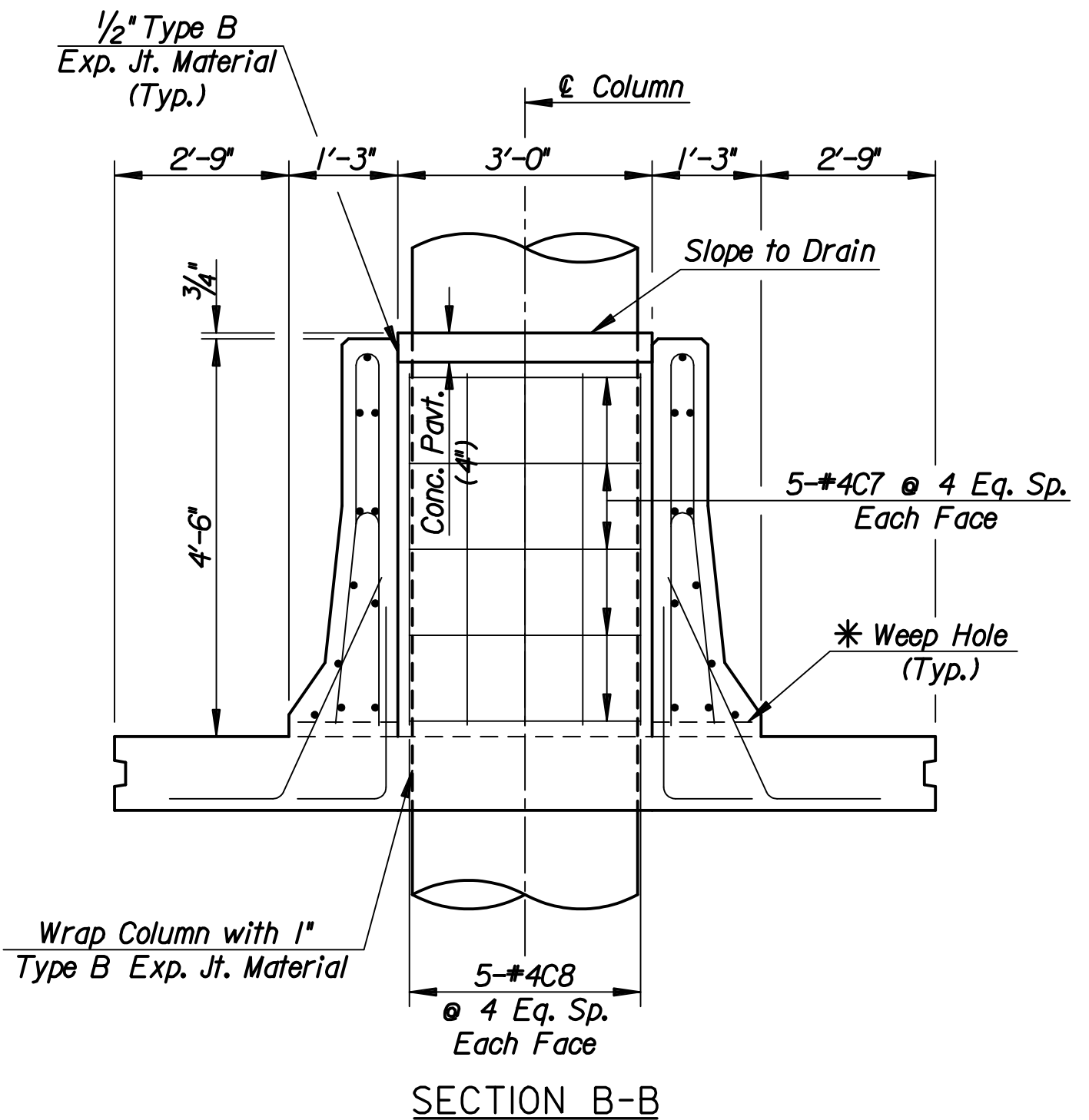
Note:
 Concrete diaphragms are included in L.F. of C.S.B. (Type II) (Special) (4'-6")



BENDING DIAGRAMS
 Dimensions are out to out of bars



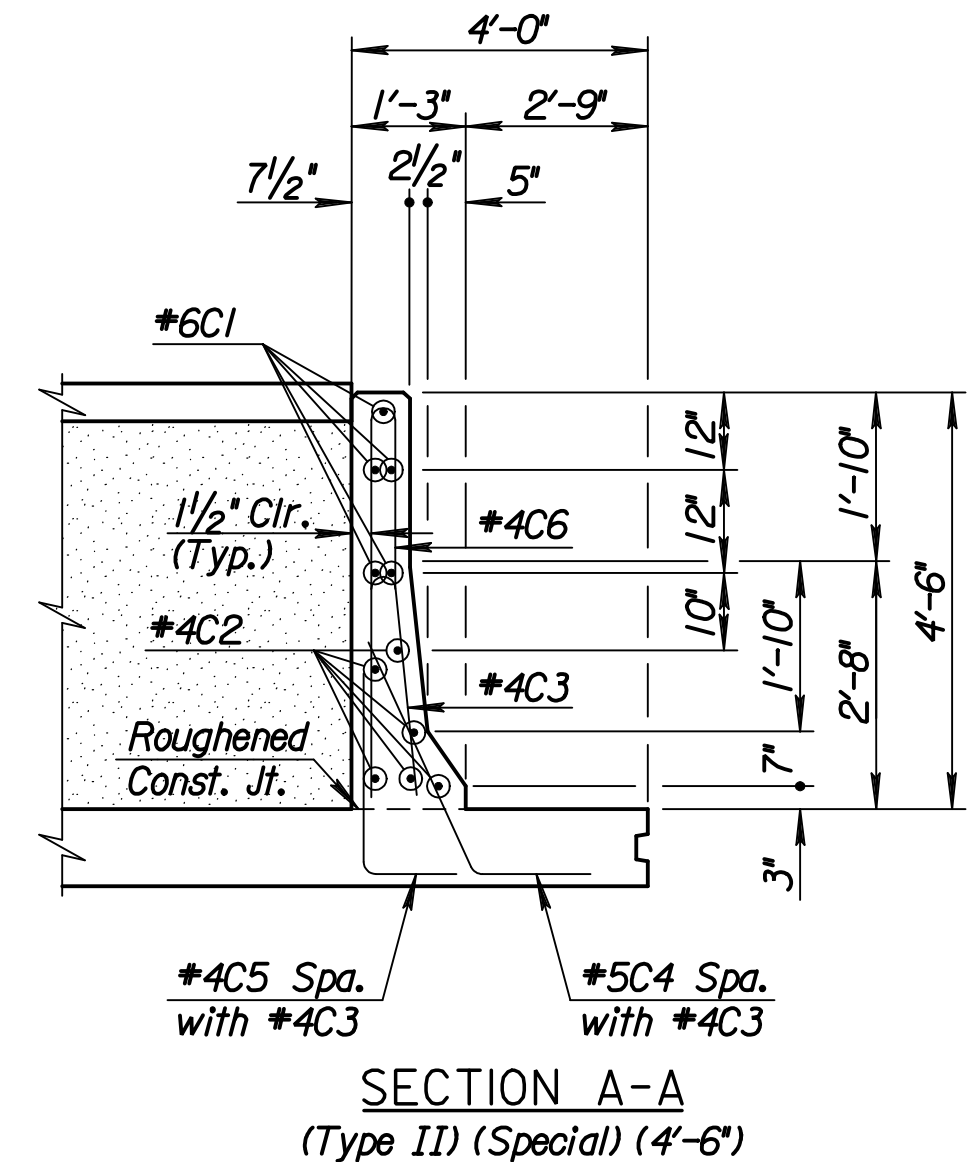
SECTION C-C



SECTION B-B

Space #4C3 & #4C6 bars @ 1'-6" centers.

Note:
 The concrete barrier shall be bid on a per foot basis as per plan.
 All concrete shall be Concrete (Grade 3.0)(AE).
 All reinforcing steel shall conform to ASTM A615, Grade 60 (Epoxy Coated).
 Construction Joints to be located to match pavement plan details.



SECTION A-A
 (Type II) (Special) (4'-6")

No.	Revision	By	Date
CENTRAL AVENUE			
CONCRETE MEDIAN SAFETY BARRIER			
TYPE II SPECIAL 4'-6"			
JAMES L. ARMOUR, P.E.—CITY ENGINEER CITY OF WICHITA PROJECT NO. 472-84639			
Professional Engineering Consultants, P.A.			
303 S. TOPEKA • WICHITA, KANSAS 67202 316-262-2691 • FAX 316-262-3003			
Designed by	RAS	Job No.	06655
Drawn by	DRP	Date	Jan. 2008
			Sht. 35 of 142