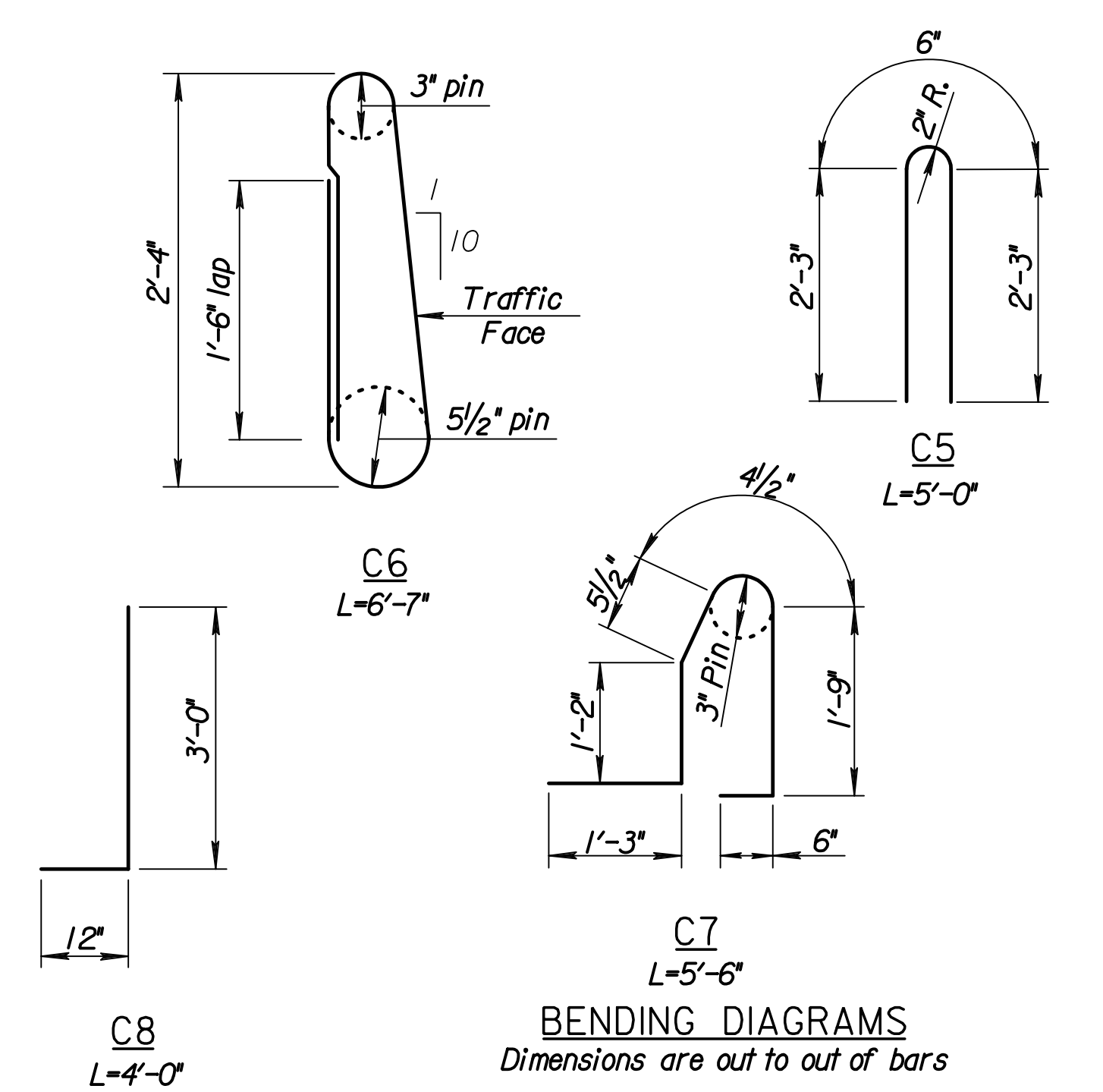
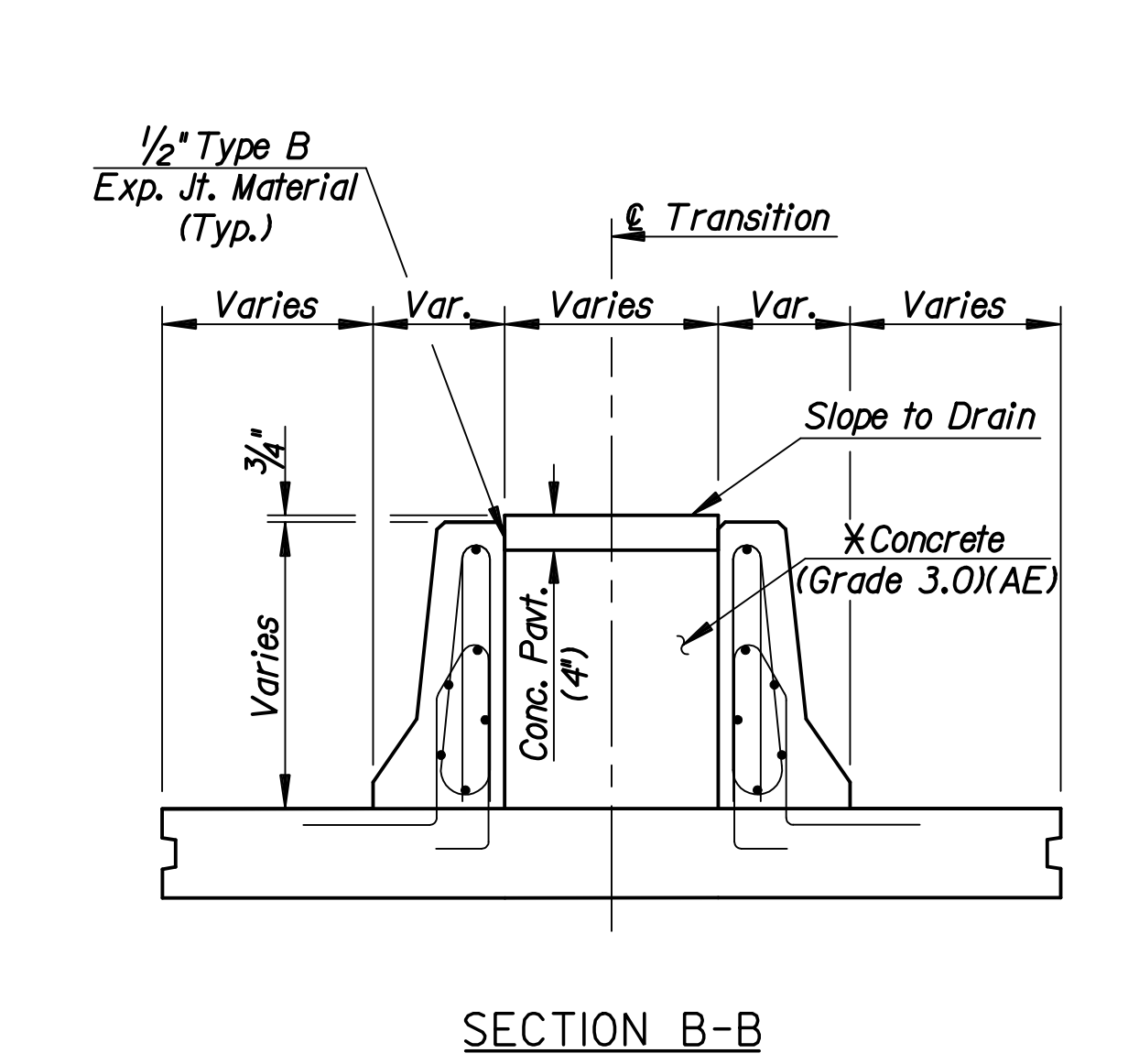
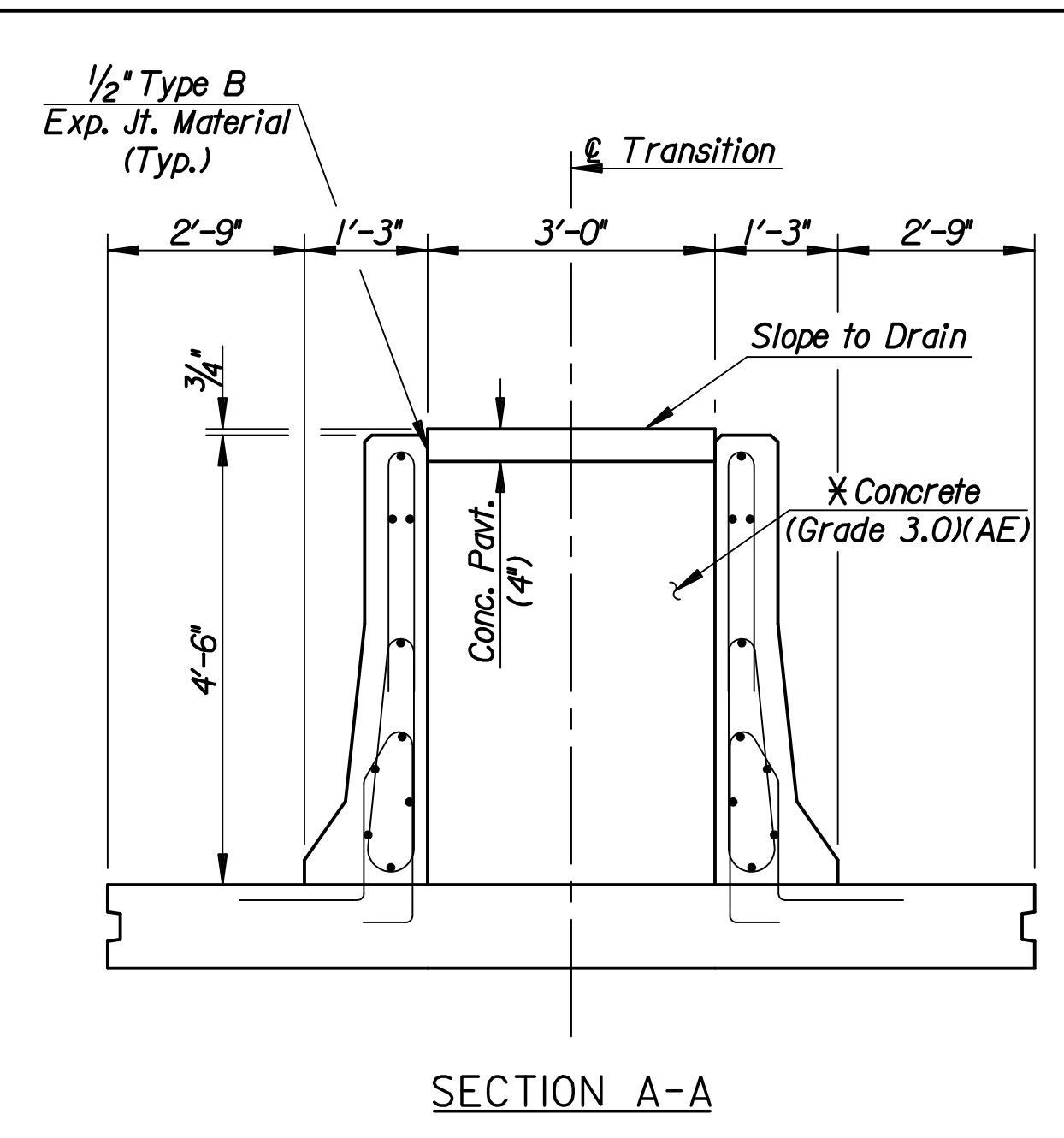
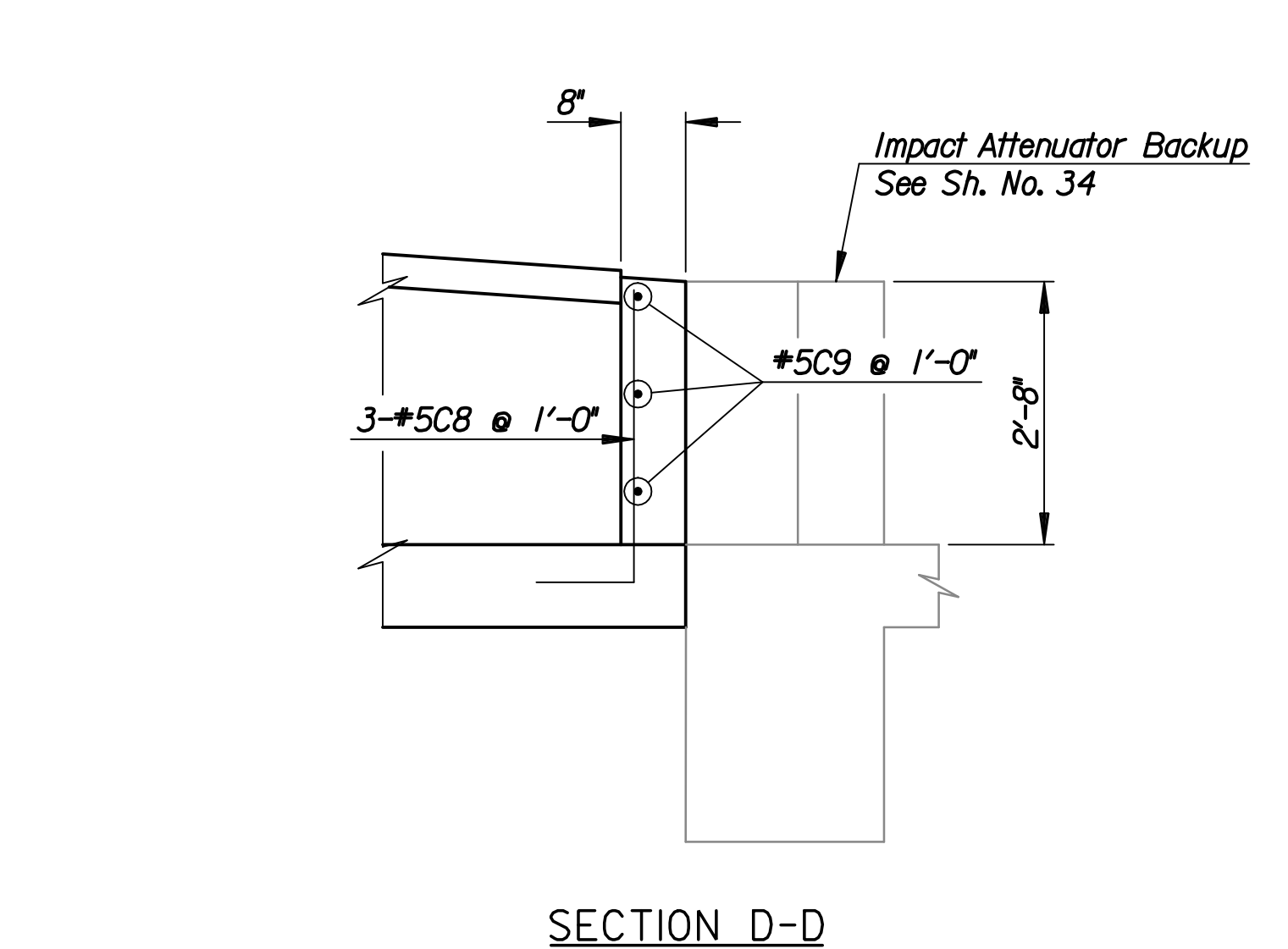
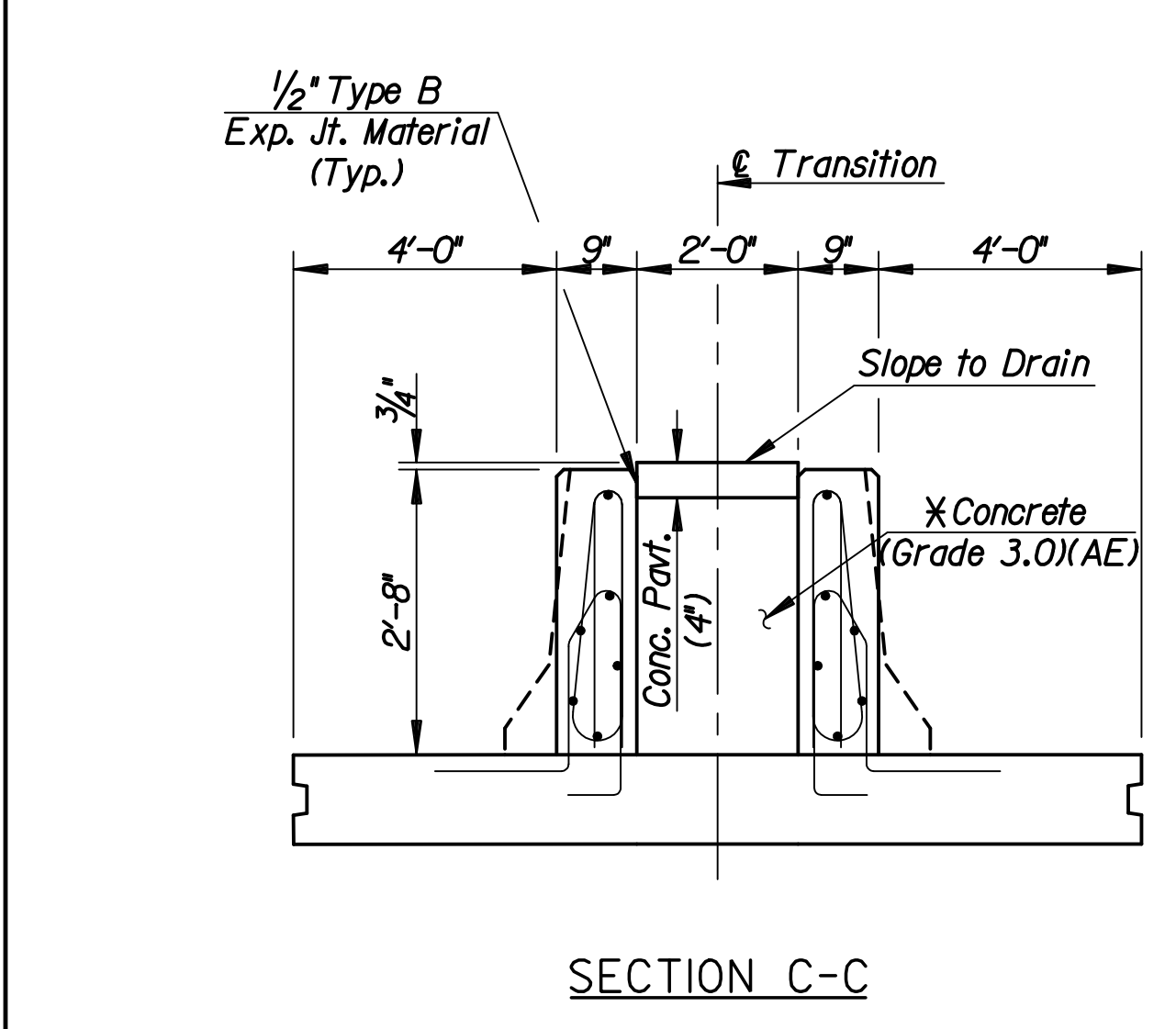
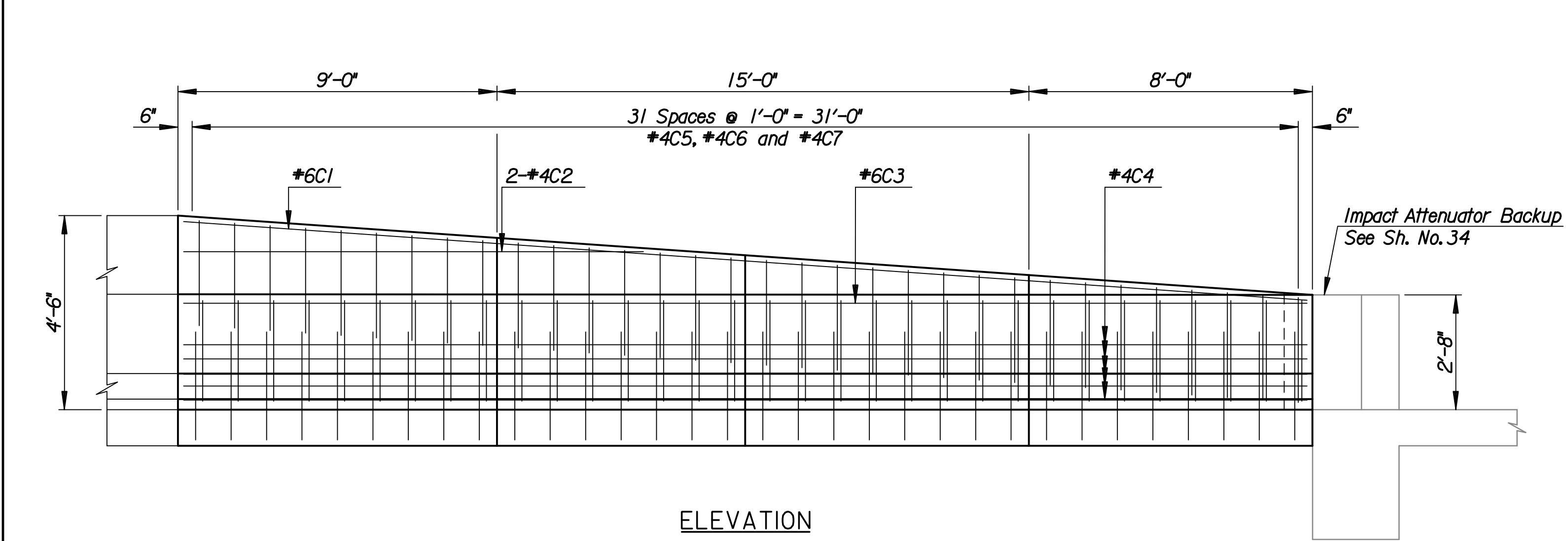
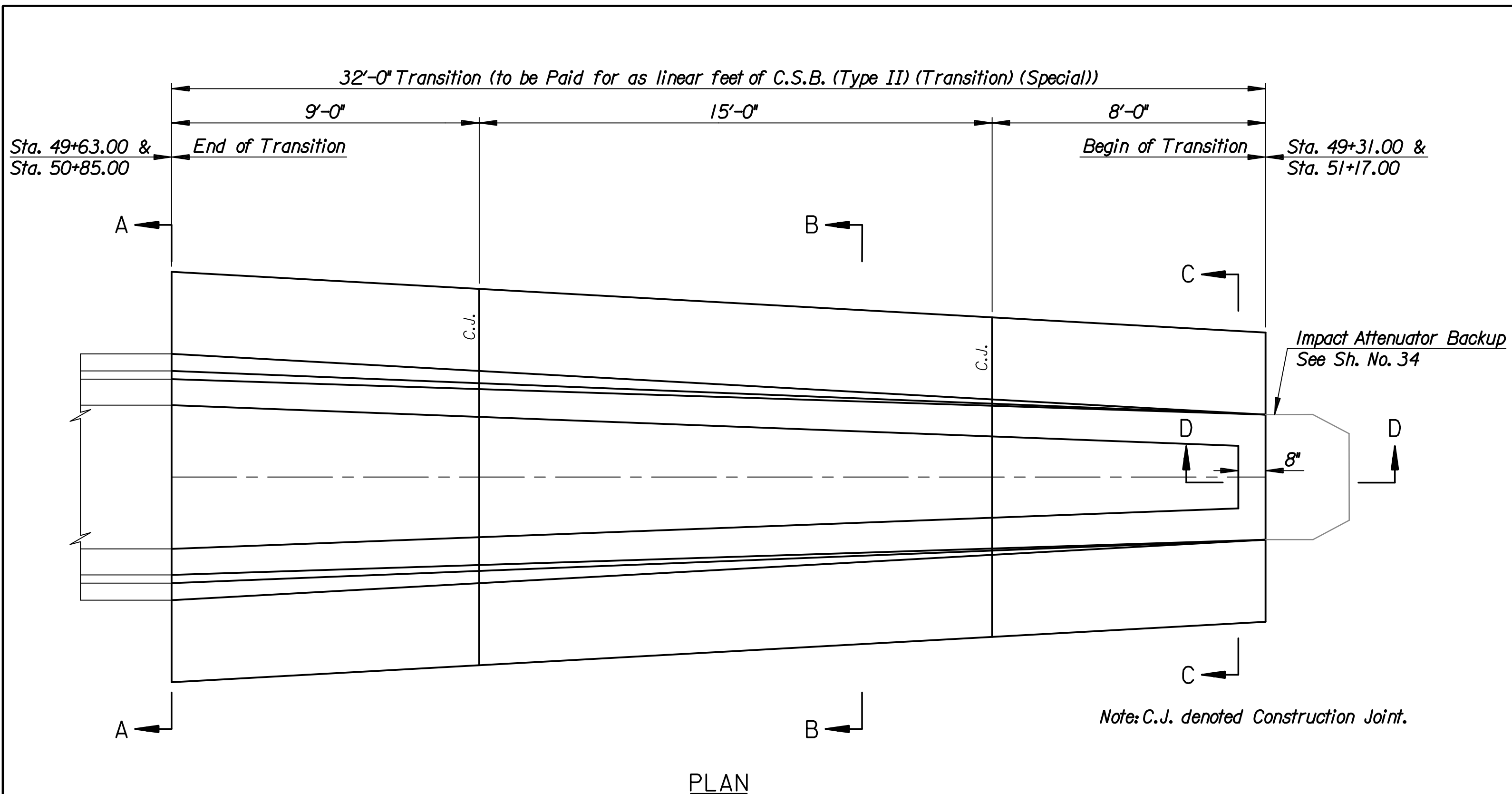


DSNR: RAS OPER: DRP SCALE: I:/2006/06655/BRIDGE/MEDIANBARRIER/06655-MEDIANBARRIERTRANS.DGN LAST REV: 12-13-2007 BY: drp



REINFORCING STEEL (2 LOCATIONS)						
Straight Bars			Bent Bars			
Mark	No.	Size Length	Mark	No.	Size Length	
C1	4	#6 31'-9"	C5	128	#4 5'-0"	
C2	8	#4 13'-0"	C6	128	#4 6'-7"	
C3	4	#6 31'-8"	C7	128	#4 5'-6"	
C4	20	#4 31'-8"	C8	6	#5 4'-0"	
C9	6	#5 2'-9"				

BILL OF MATERIALS (TOTAL)		
Item	Quantity	Unit
* Concrete (Grade 3.0) (AE)	13.4	C.Y.
* Reinf. Steel (Grade 60)(Epoxy Coated)	2377	Lb.
* Concrete (Grade 3.0) (AE)	10.4	C.Y.

\* Median fill concrete (Pay Item)  
 † Quantities for Information Only.  
 Note:  
 The concrete barrier shall be bid on a per foot basis as per plan.  
 All concrete shall be Concrete (Grade 3.0)(AE).  
 All reinforcing steel shall conform to ASTM A615, Grade 60 (Epoxy Coated).

No.	Revision	By	Date
CENTRAL AVENUE			
<b>CONCRETE MEDIAN SAFETY BARRIER TYPE II SPECIAL 4'-6"</b>			
JAMES L. ARMOUR, P.E.—CITY ENGINEER CITY OF WICHITA PROJECT NO. 472-84639			
<b>Professional Engineering Consultants, P.A.</b> 303 S. TOPEKA • WICHITA, KANSAS 67202 316-262-2691 • FAX 316-262-3003			
Designed by	RAS	Job No.	06655
Drawn by	DRP	Date	Jan. 2008
			Sht. 36 of 142