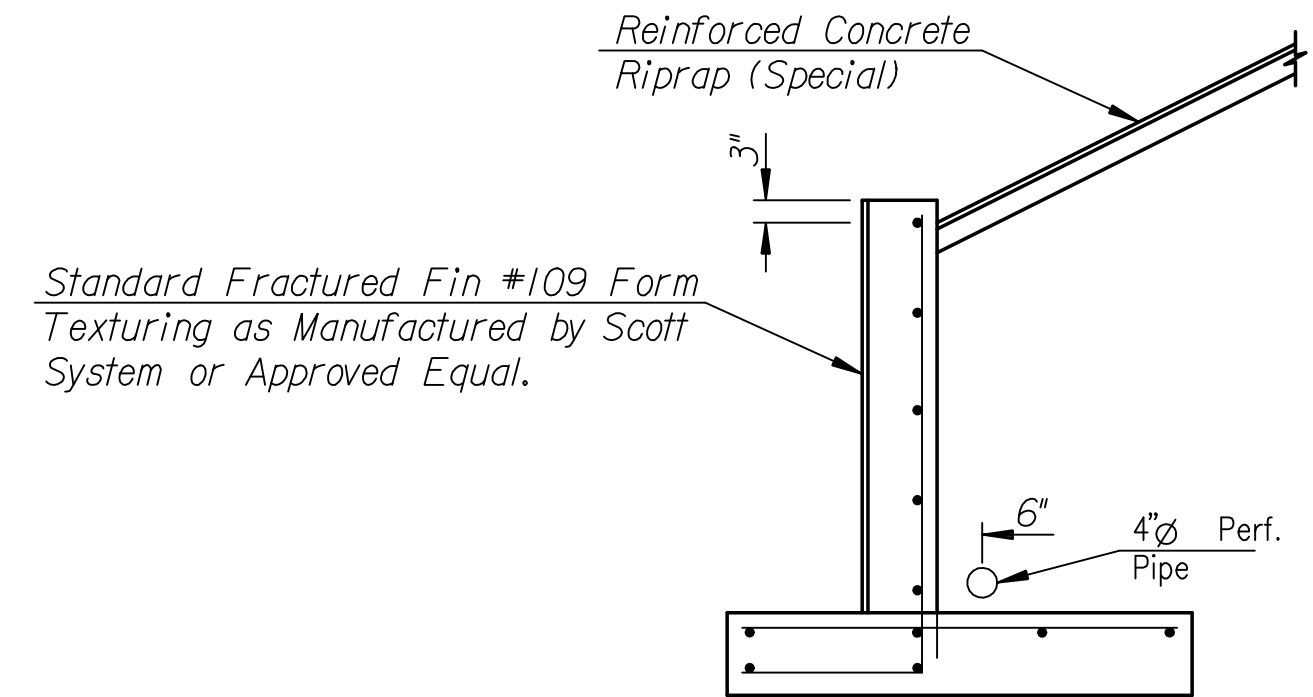


- GENERAL NOTES**
- Grade 4.0 Concrete AE shall be used throughout. Bevel all exposed edges with a 3/4 inch triangular moulding.
 - All reinforcing to have 2" edge and end clearance unless noted. Reinforcing clearance to bottom of slab is 3".
 - Excavation shall be computed with a vertical offset limit of X=2". See Sh. No. 3.

BILL OF MATERIALS (ONE SIDE)					
REINFORCING STEEL					
Mark	No.	Size	Length	Mark	No. Size Length
Typical Lt. or Rt.					
H1	6	5	37'-2"	H2	5 5 Var.
H3	44	5	38'-2"	H5	5 5 Var.
H4	6	5	29'-9"	V1	38 5 Var.
SI	218	5	4'-10"	V2	30 5 Var.
				V3	150 5 6'-6"

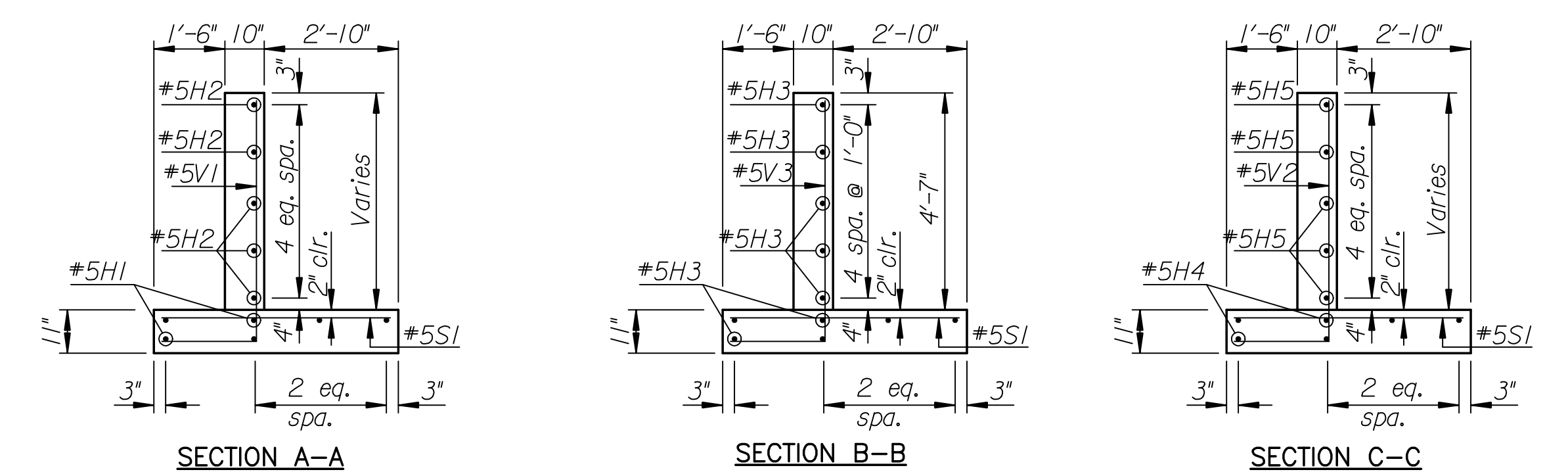
* SUMMARY OF QUANTITIES		
Item	Quantity	Unit
Concrete (Grade 4.0)(AE)	149.4	C.Y.
Reinforcing Steel (Gr. 60)(EpoxyCoated)	10,030	Lbs.

* Total for Lt. and Rt. of Central



Standard Fractured Fin #109 Form Texturing as Manufactured by Scott System or Approved Equal.

WALL TEXTURE ELEVATION



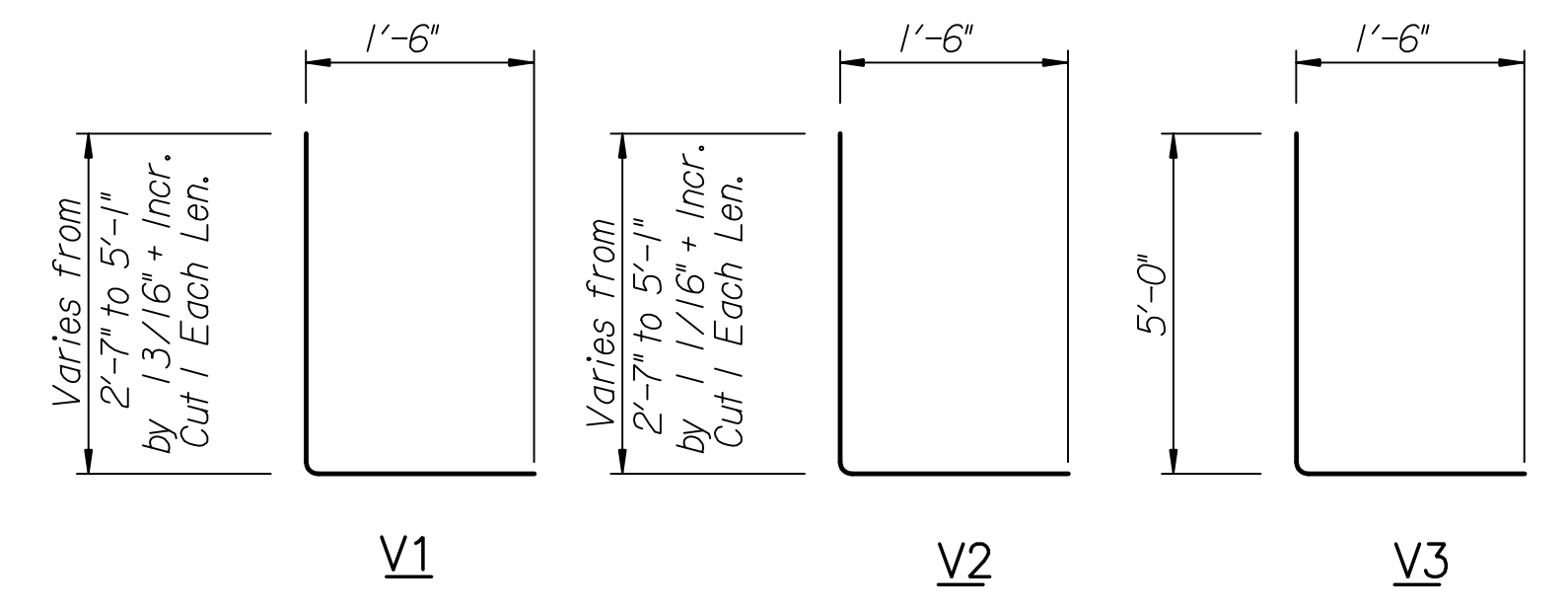
SECTION A-A

SECTION B-B

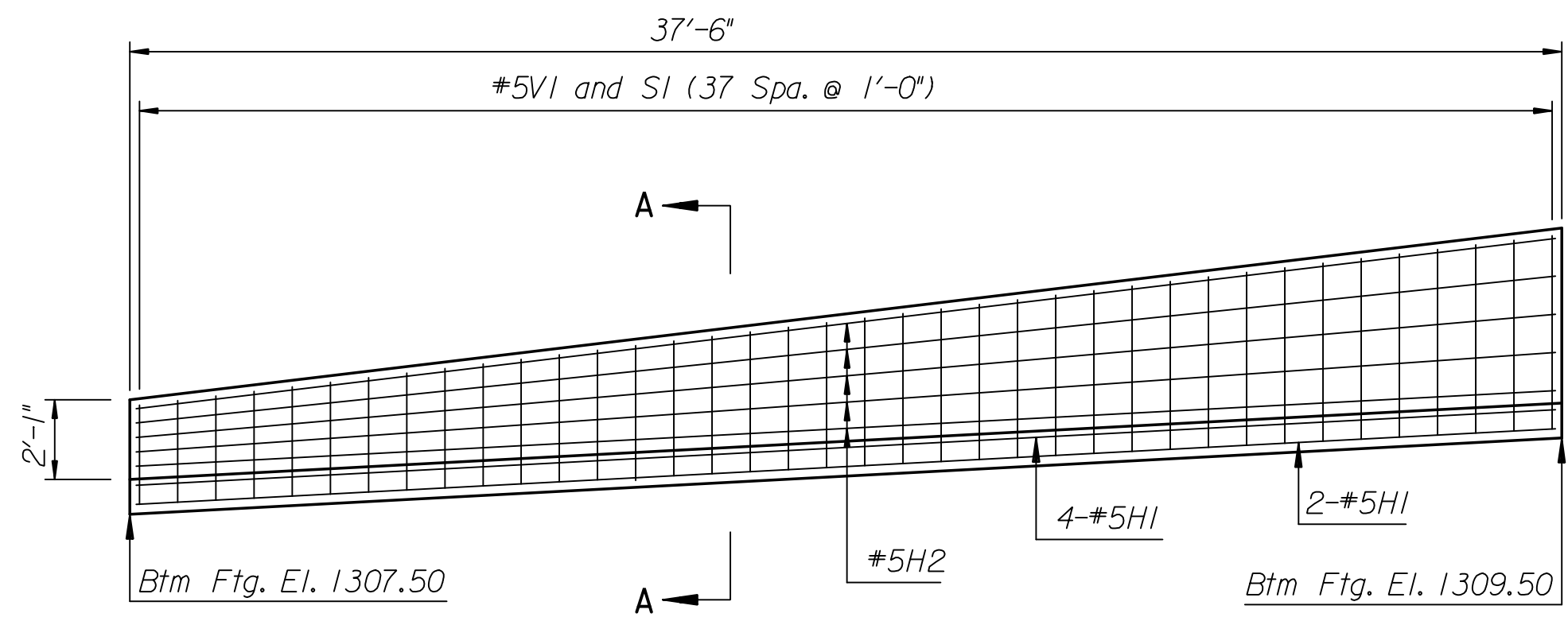
SECTION C-C

H2
Varies from 37'-2" to 37'-5" by 1" Incr. Cut 1 Each Len.

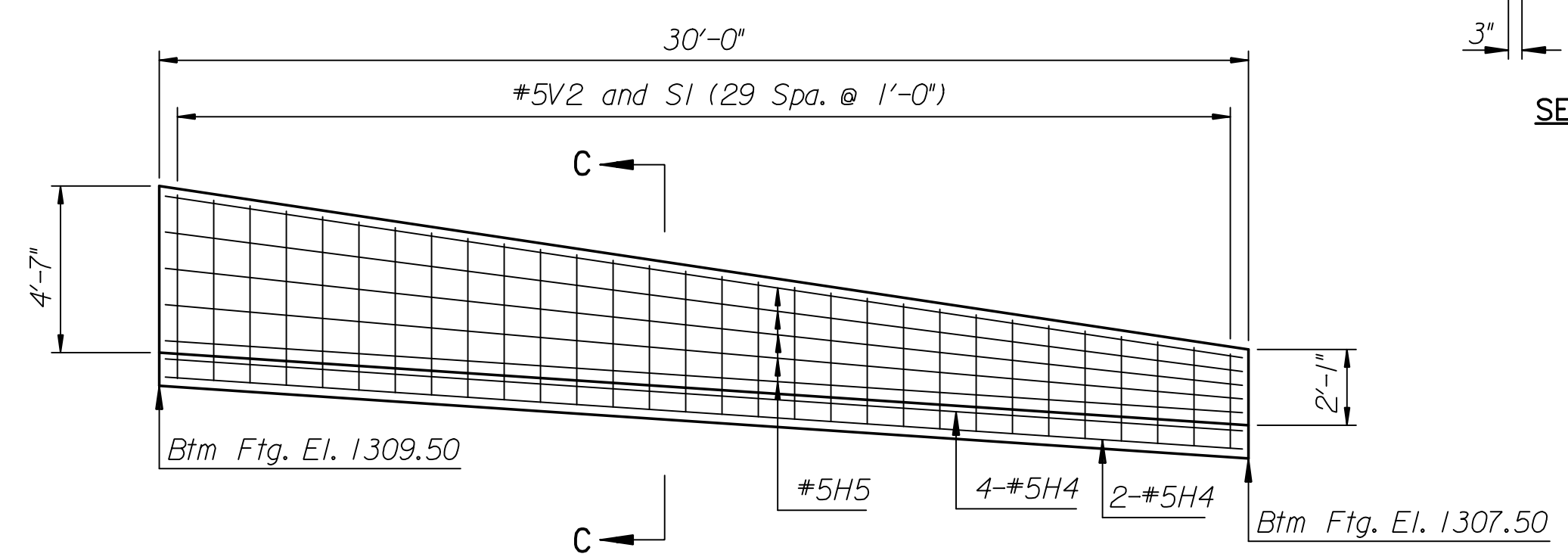
H5
Varies from 29'-9" to 30'-0" by 3/4" Incr. Cut 1 Each Len.



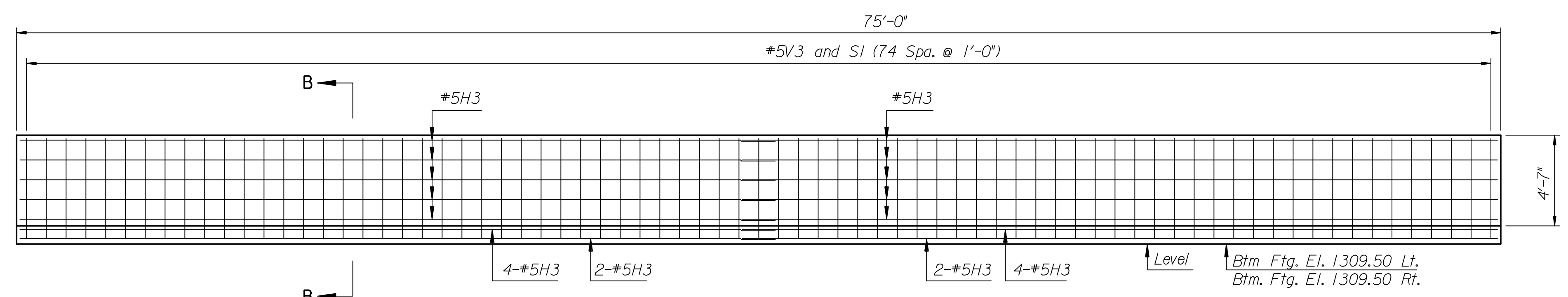
BENDING DIAGRAMS
Dimensions are out to out of bars



WALL A LT. ELEVATION



WALL C LT. ELEVATION



WALL B LT. ELEVATION

Note: Lt. wall details shown right walls similar mirrored about Central Avenue.

DSNR: RAS OPER: RAS SCALE: I:/2006/06655/BRIDGE/RETAININGWALL/06655-000-C-RETWALL235.DGN LAST REV: 12-11-2007 BY: gkl

No.	Revision	By	Date
CENTRAL AVENUE			
RETAINING WALL			
JAMES L. ARMOUR, P.E.-CITY ENGINEER CITY OF WICHITA PROJECT NO. 472-84639			
Professional Engineering Consultants, P.A. 303 S. TOPEKA • WICHITA, KANSAS 67202 316-262-2691 • FAX 316-262-3003			
Designed by	RAS	Job No.	06655
Drawn by	RAS	Date	Jan. 2008
			Sht. 40 of 142