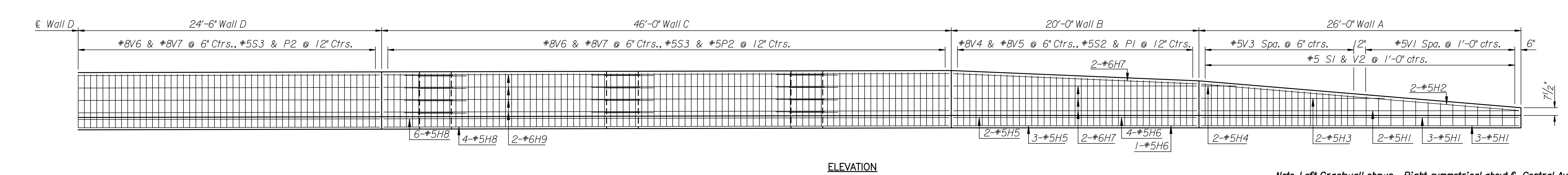
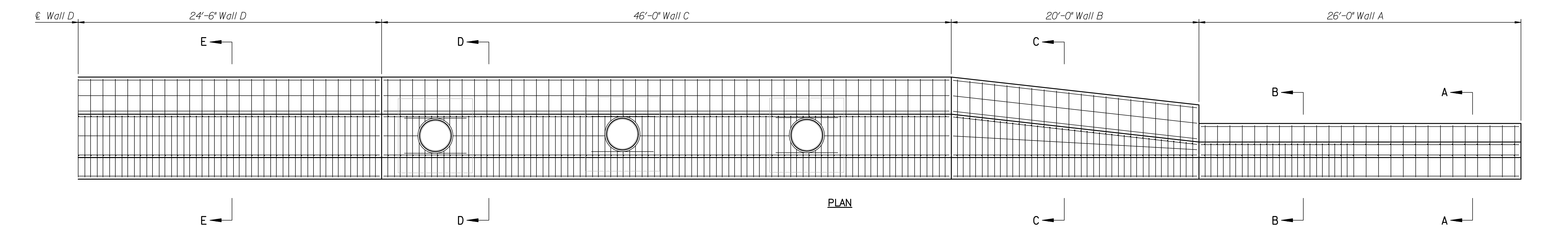
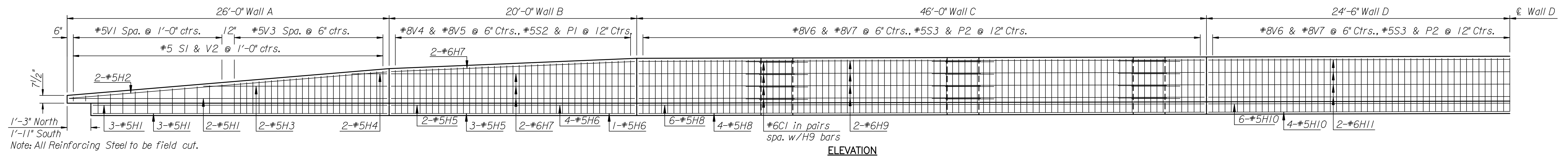
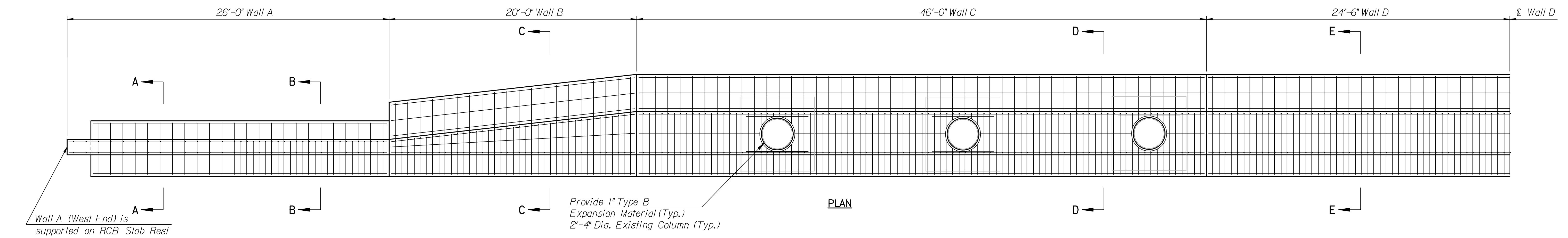


DSNR: RAS OPER: DRP SCALE: 1:2006/06655/BRIDGE/CRASHWALL/06655-000\_C\_CRASHWALL235.DGN LAST REV: 10-16-2007 BY: gkl



Note: Left Crashwall shown. Right symmetrical about @ Central Avenue.  
 Note: See Crashwall Layout for geometric adjustments at East crashwall ends.

	Revision	By	Date
CENTRAL AVENUE			
<b>CONCRETE PIER PROTECTION</b>			
JAMES L. ARMOUR, P.E. - CITY ENGINEER CITY OF WICHITA PROJECT NO. 472-84639			
<b>Professional Engineering Consultants, P.A.</b> 303 S. TOPEKA • WICHITA, KANSAS 67202 316-262-2691 • FAX 316-262-3003			
Designed by	RAS	Job No.	06655
Drawn by	RAS	Date	Jan. 2008
			Sht. 44 of 142