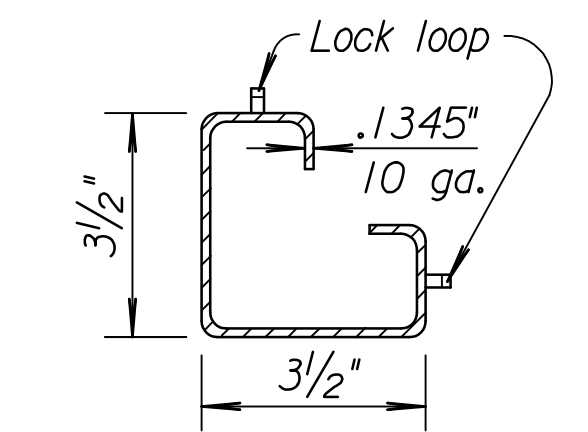
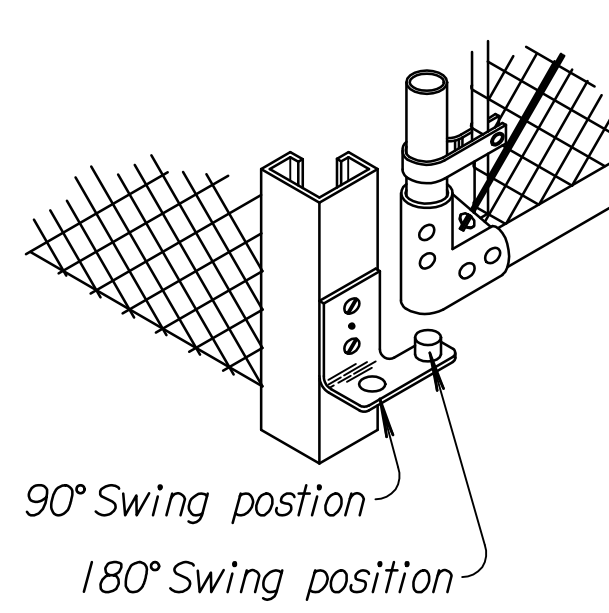


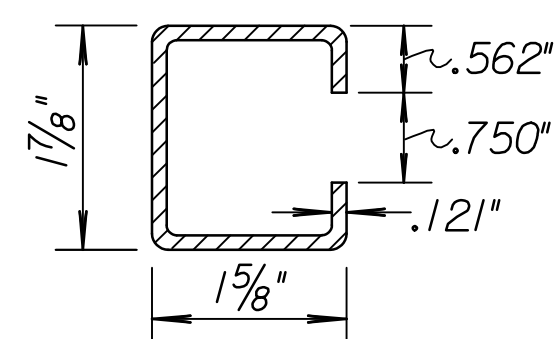
STATE	PROJECT NO.	YEAR	SHEET NO.	TOTAL SHEETS
KANSAS	472-84639	2008	48	142



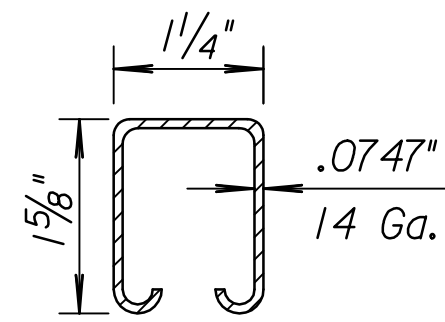
End, corner, gate, or pull post
4.85#/Ft. (Std.)
(For gate widths 6' to 13'
use 9.11#/Ft. post, O.D.=4")
TYPE II POST



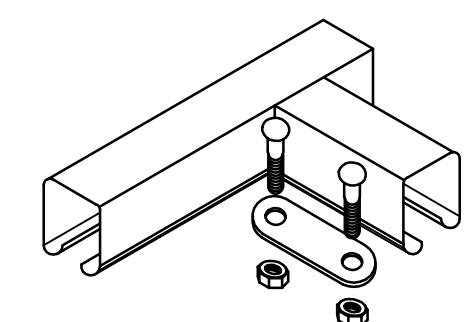
HINGE DETAIL



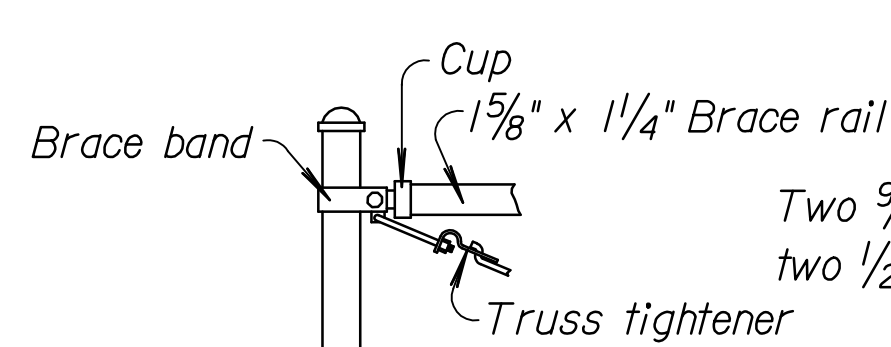
LINE POST (C)
2.28#/Lin. Ft.



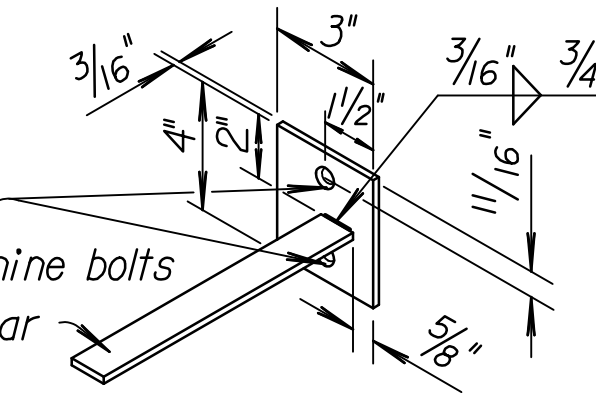
BRACE RAIL SECTION



CORNER CONNECTOR
for BRACE RAILS



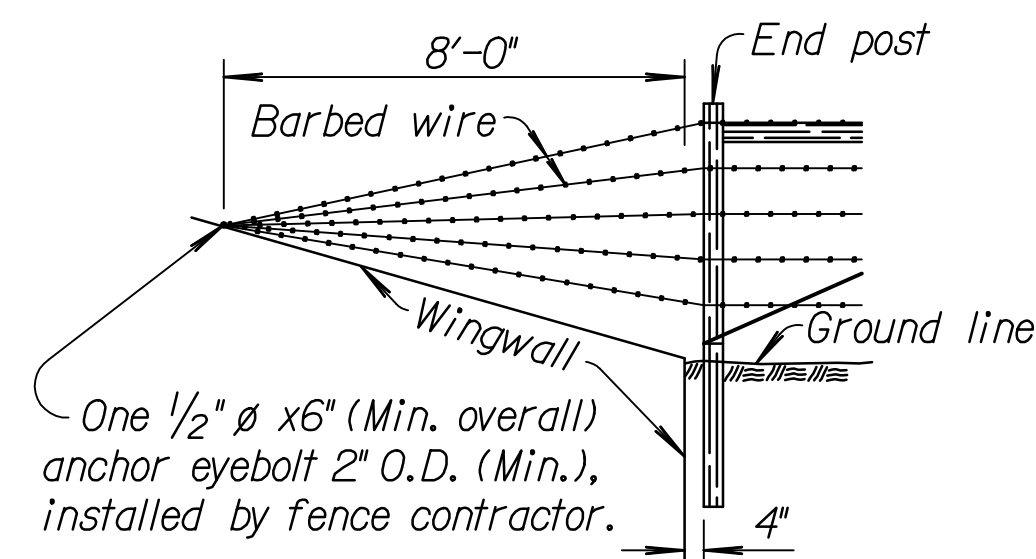
BRACE & TRUSS CONNECTION
at BRACE POST



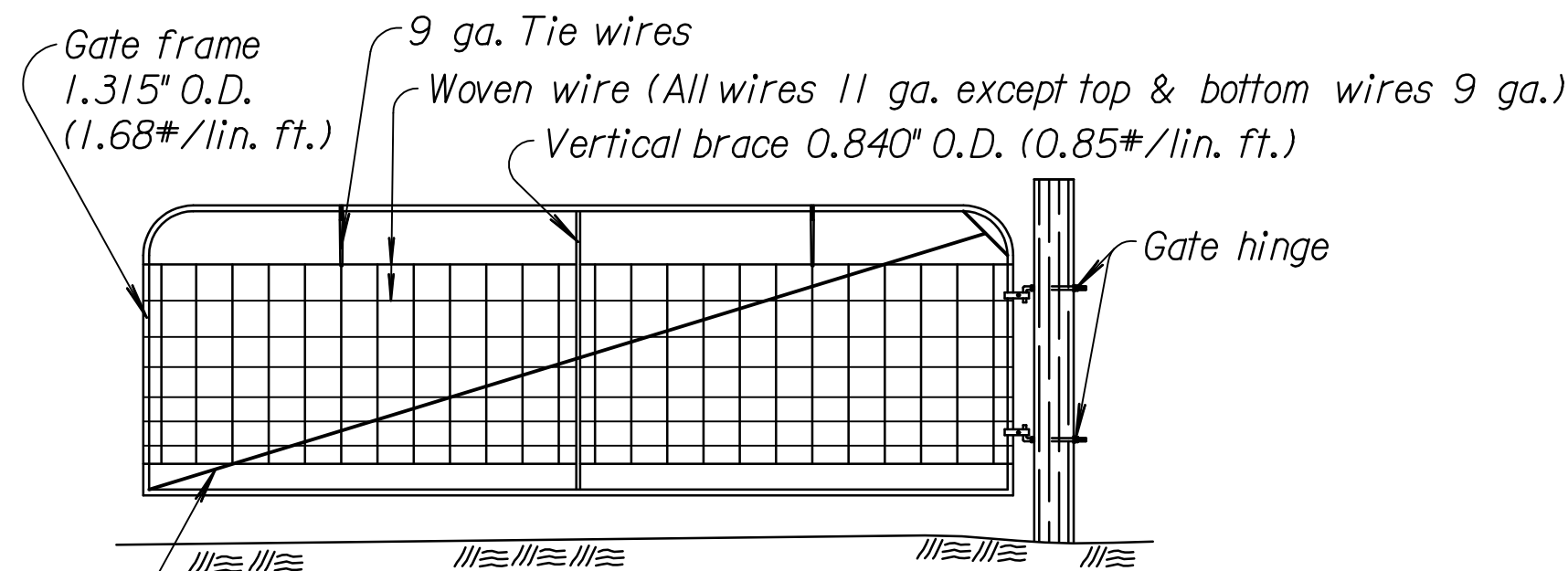
END POST TORQUE BAR

GENERAL NOTE
A line post shall be used in the KDOT fence at each private cross fence, and the contractor shall make a temporary connection. This work shall be subsidiary to other bid items.
In general, where needed, use small channel crossing as shown. Type I and Type II Floodgates will be used very seldom.

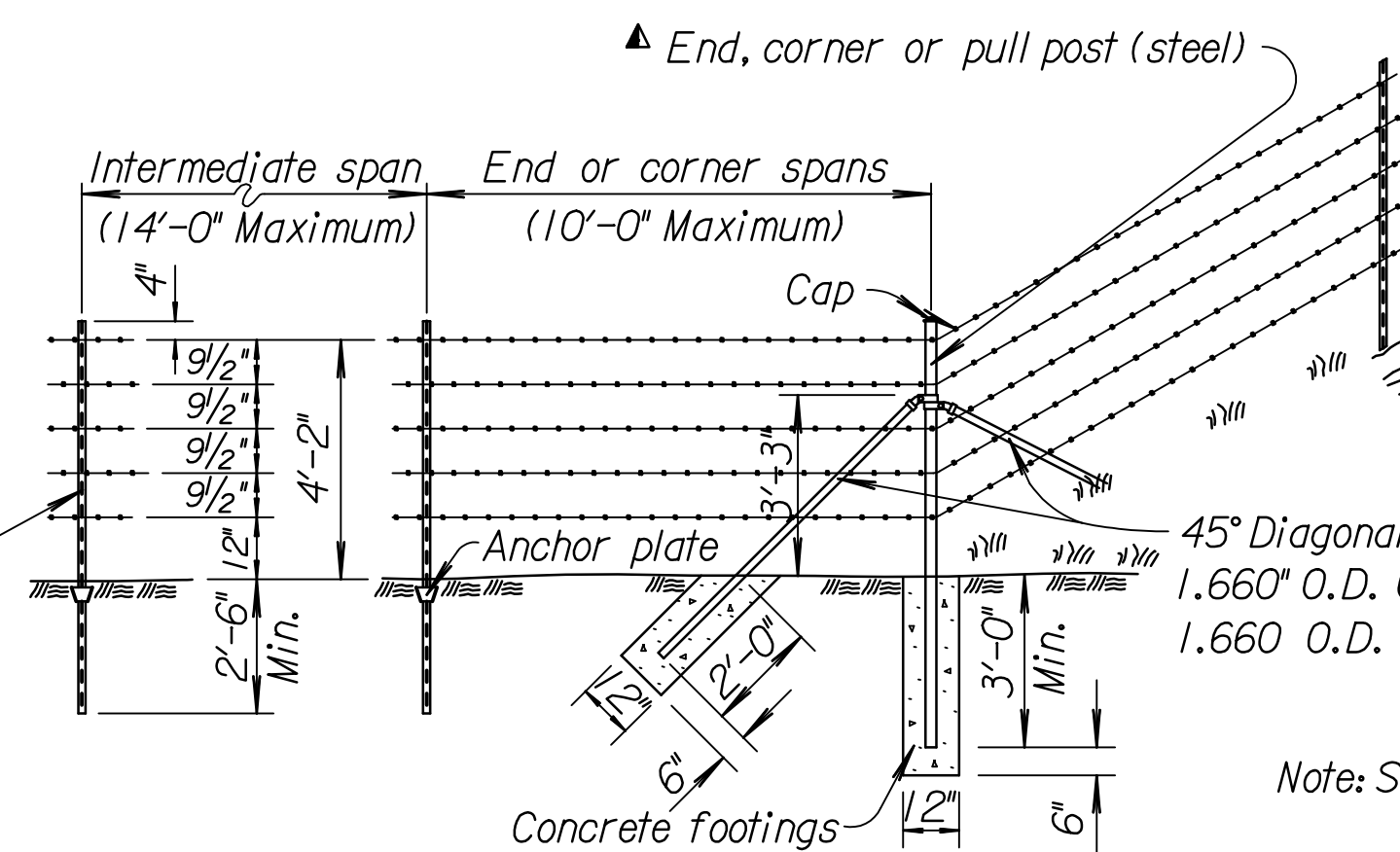
ALTERNATE CHAIN LINK DETAILS



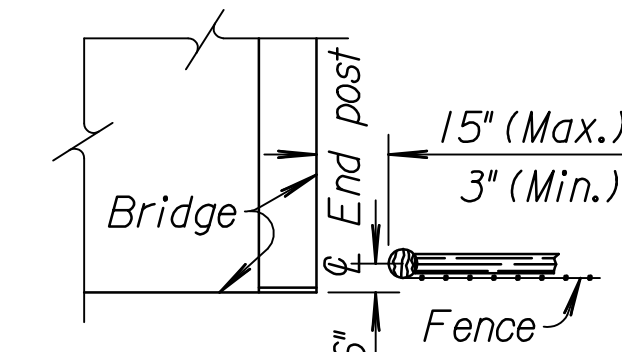
FENCE DETAILS
AT DRAINAGE STRUCTURES
(Type A, B, or Barbed wire fence.)



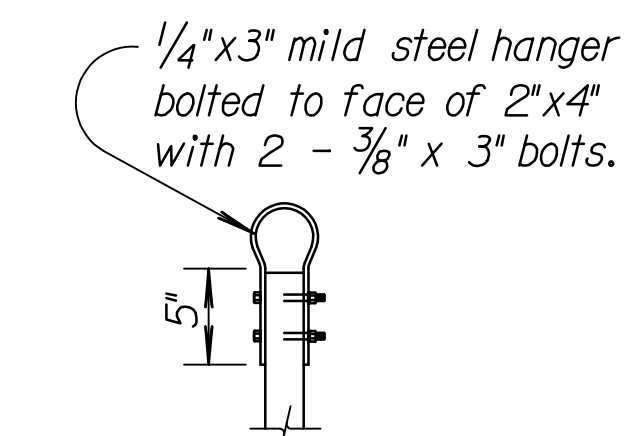
DETAIL of GATE, HINGE & SPECIFICATIONS
(for Barbed & Woven Fence)



BARBED WIRE FENCE
STEEL POST (ALTERNATE)
Steel posts may be used in lieu of wood posts as shown above.

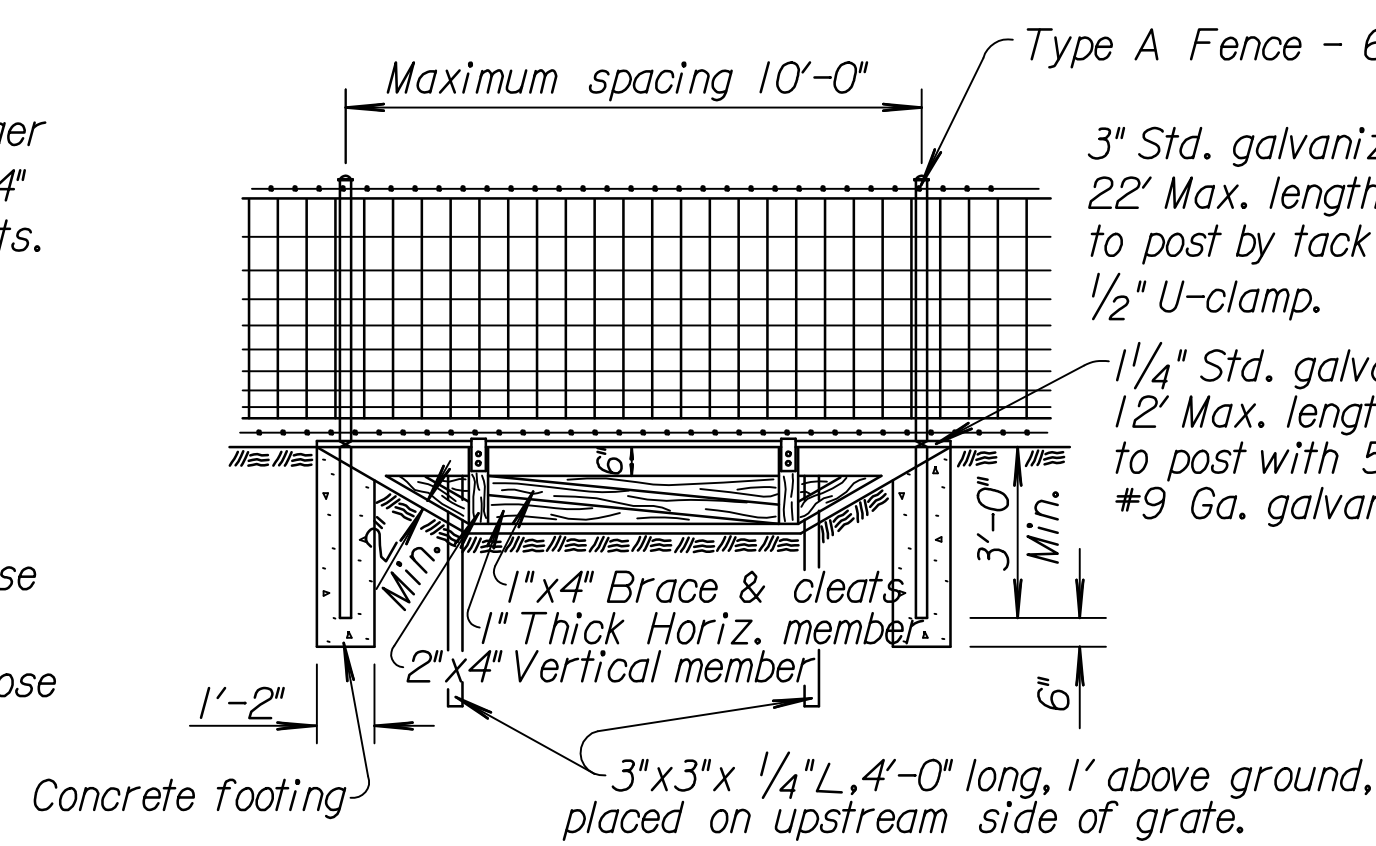


FENCE DETAILS
AT BRIDGE ABUTMENTS
(Use appropriate post and brace for fence type, dimensions are common for all fence types.)

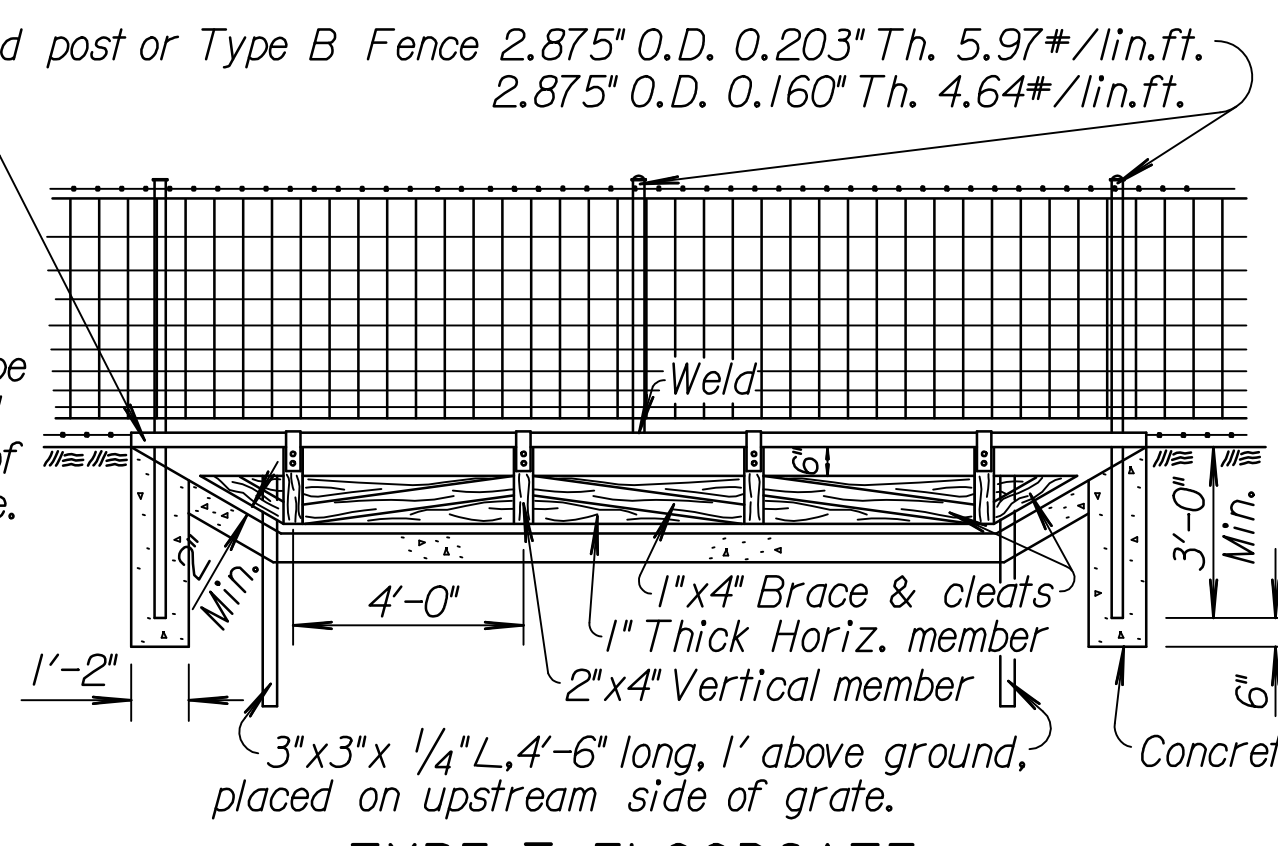


Type I bend hanger for loose fit on 1 1/4 inch dia. std. galv. pipe.
Type II bend hanger for loose fit on 3 inch dia. std. galv. pipe.

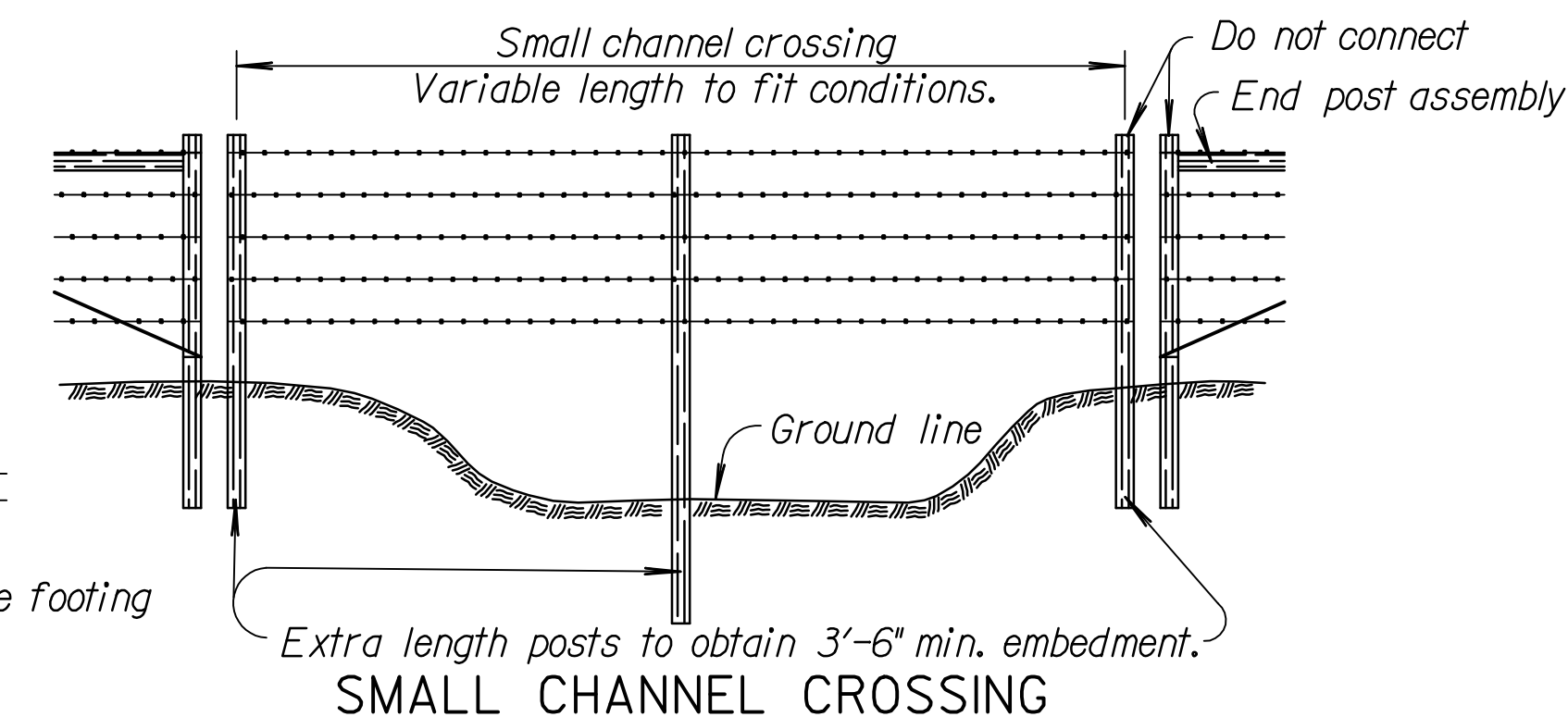
FLOODGATE
HANGER DETAIL



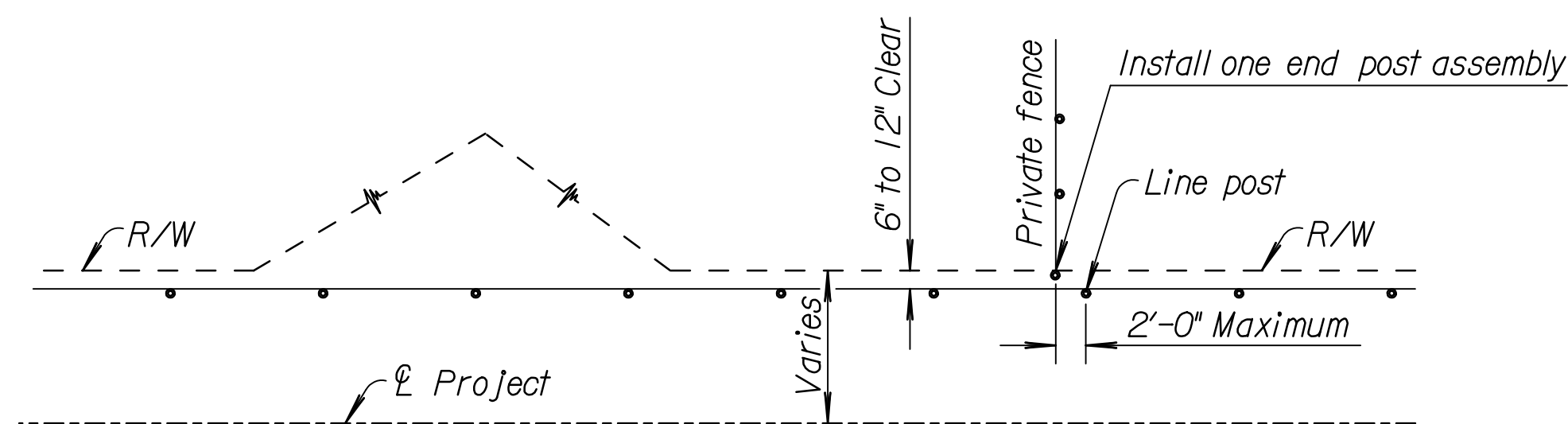
TYPE I FLOODGATE



TYPE II FLOODGATE
(Grouted stone or concrete lined ditch.)

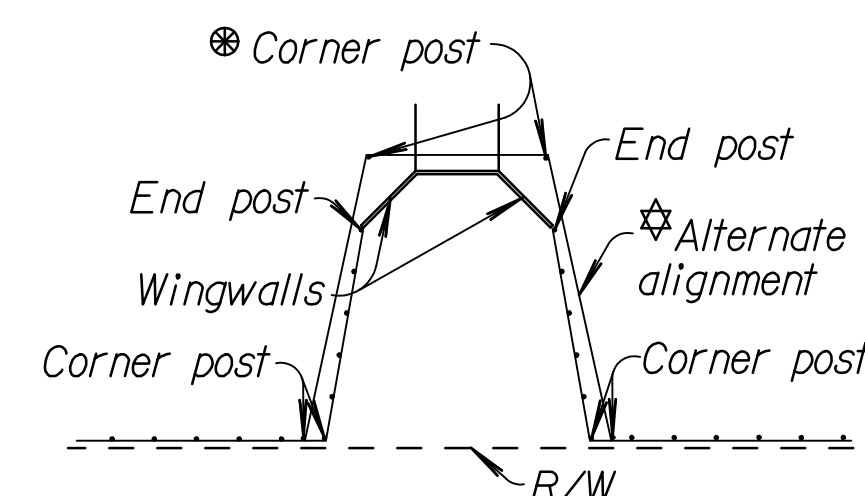


SMALL CHANNEL CROSSING
The above sketch is typical only and can be varied to fit existing conditions. Small channel crossings shall be included in lin. ft. of fence. All extra materials and labor within the small channel crossing shall be subsidiary to lin. ft. of fence.



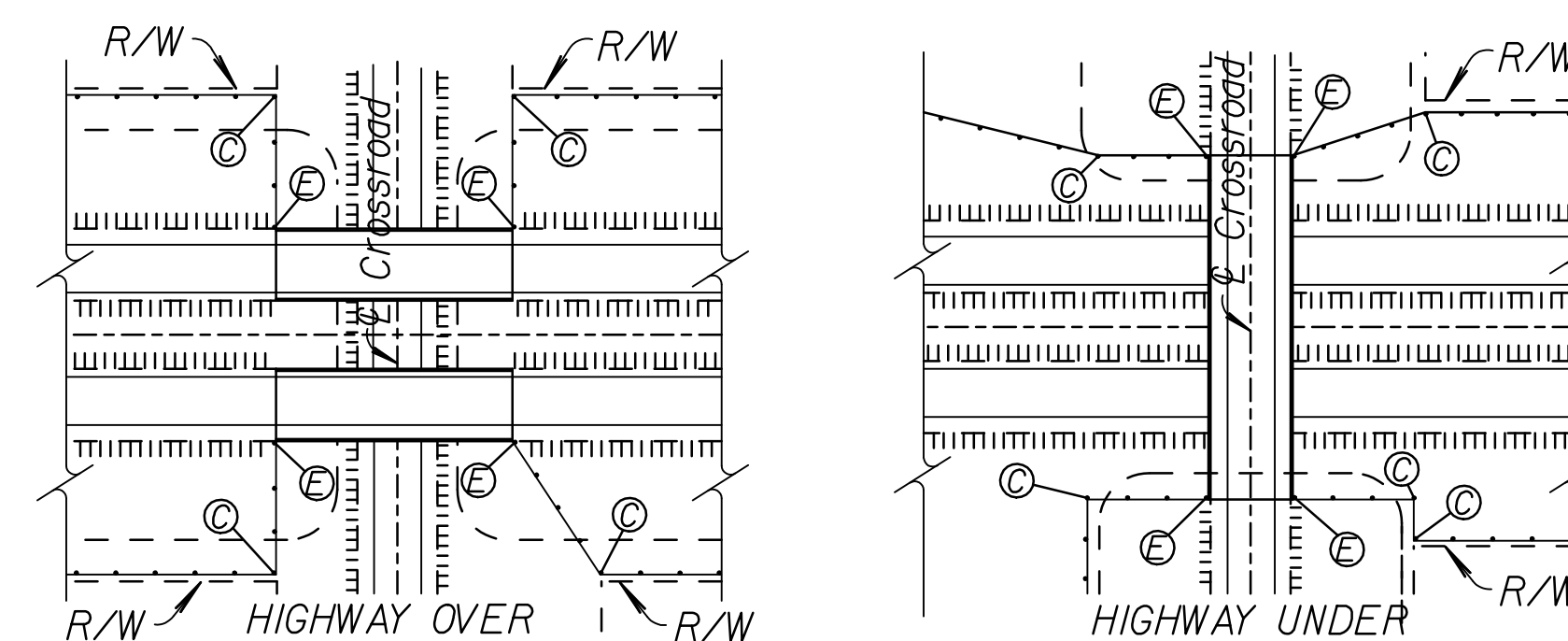
TYPICAL INSTALLATION DIAGRAM

Note: Right of Way fence shall generally be set parallel to and 6' to 12' clear from the Right of Way line.
The alignment layouts as shown are typical, but are not representative of all situations that may occur. Construction may be varied, as required to meet field conditions and/or as directed by the Engineer.
The access control fence shall be attached to the private fence end post assembly using leader wires or staples.



FENCE ALIGNMENT
AT UNDERPASS OR
BOX DRAINAGE STRUCTURE

☆ Alternate alignment may be used at deep underfill culverts, as directed by the Engineer.



FENCE ALIGNMENT AT BRIDGE ABUTMENTS

⊗ Where fence installation over a drainage structure is located within the clear zone, horizontal bracing at the corner posts will not be permitted. An alternate design utilizing diagonal bracing shall be provided.

NO.	DATE	REVISIONS	BY	APP'D
6	11-02-04	Revised General Note	S.W.K.	J.O.B.
5	5-30-02	Removed KDOT ownership sign.	S.W.K.	J.O.B.
4	12-30-97	Connect to Private Fence End Post	R.J.S.	J.O.B.
3	7-9-97	R/W Clearance & Pvt. Fc. End Post	R.J.S.	J.O.B.

KANSAS DEPARTMENT OF TRANSPORTATION

INSTALLATION DETAILS
BARBED, WOVEN, & CHAIN LINK

RD670B	DESIGNED	6-10-05	APP'D. James O. Brewer
	QUANTITIES		TRACED Bowser
	DETAIL CK.		TRACE CK. Seltz