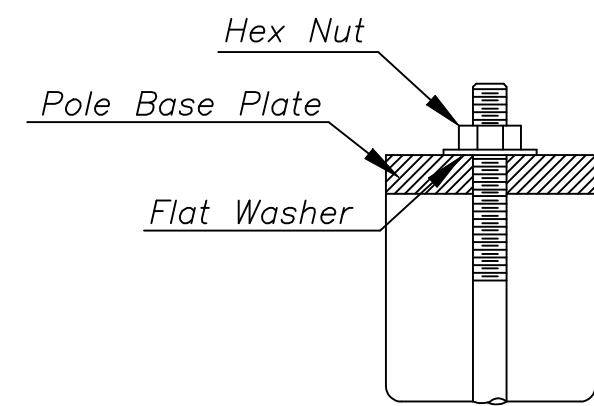
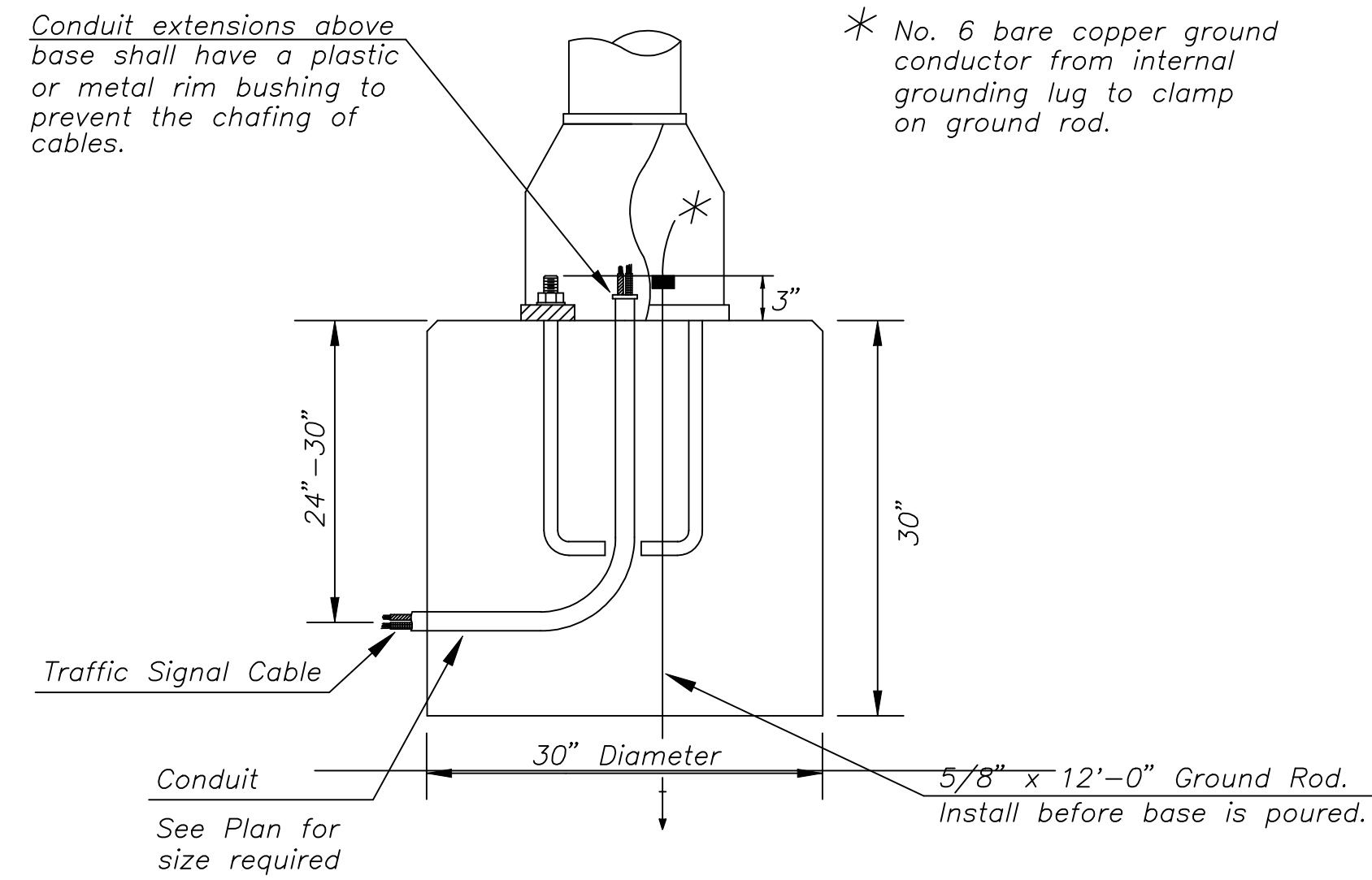
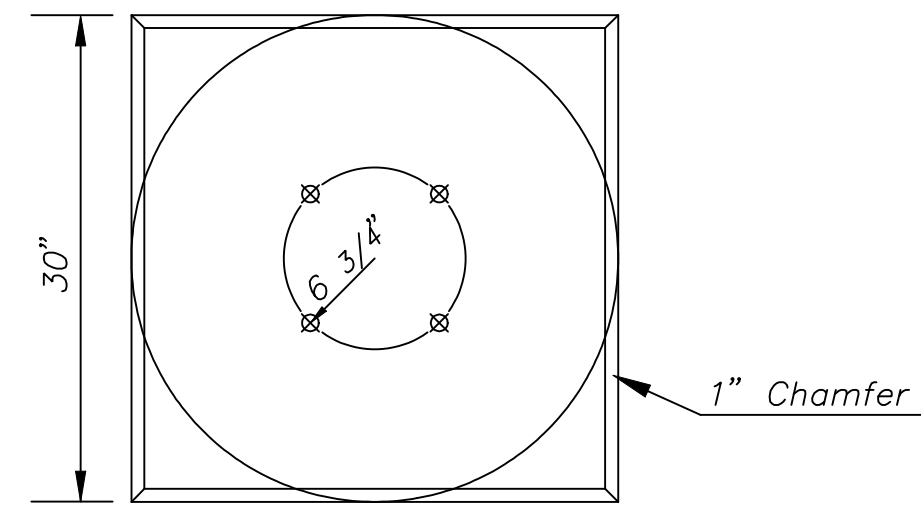


Use Keystone "No-Weld Number 1 Anti-Seize Compound" on all bolts & nuts.

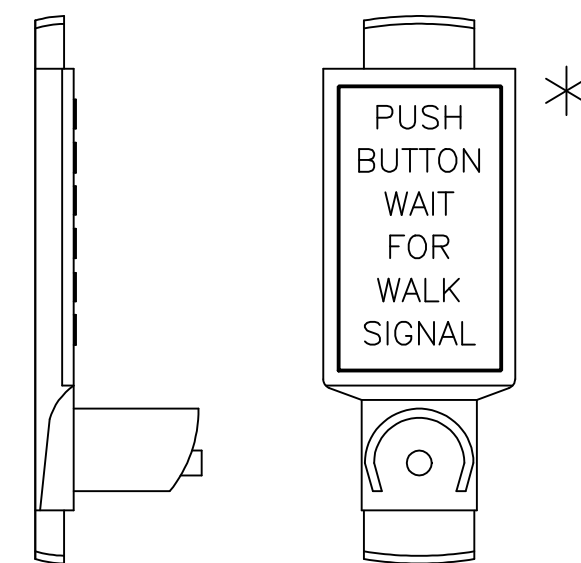


ANCHOR BOLT DETAIL



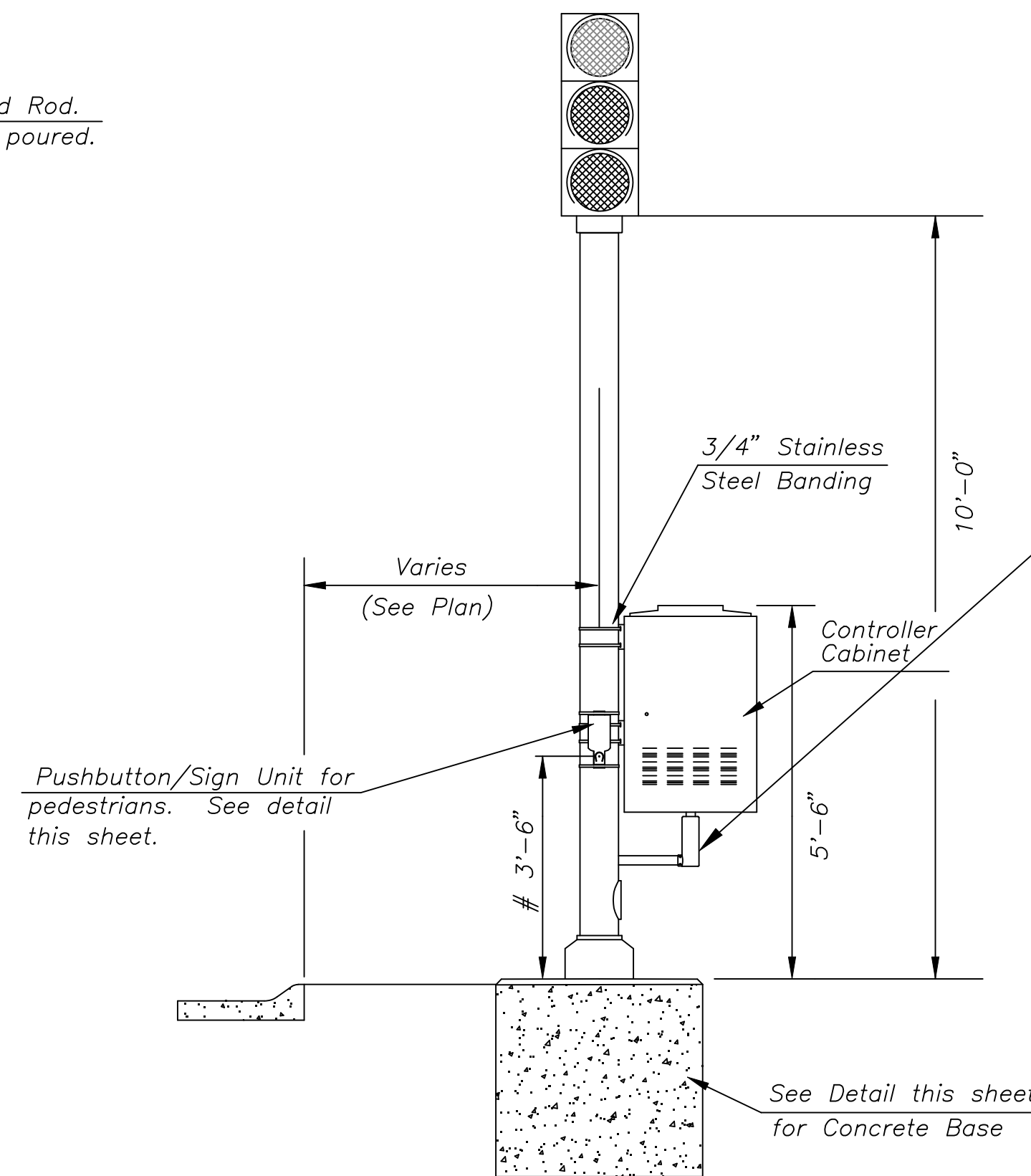
CONCRETE BASE DETAIL

*NOTE: MESSAGE TO BE CAST WITH HOUSING (ONE PIECE)

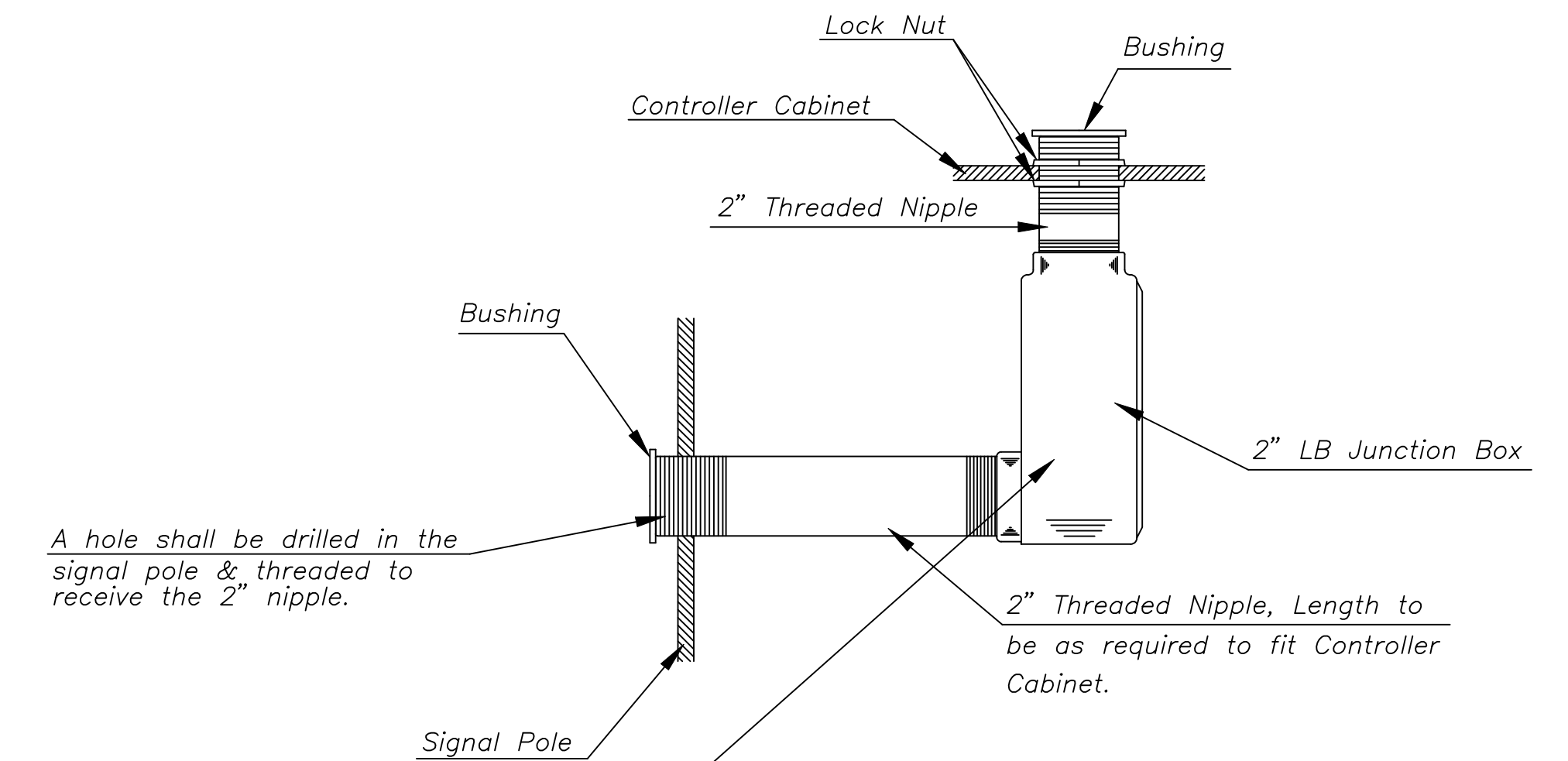


PEDESTRIAN PUSHBUTTON/SIGN UNIT DETAIL

INSTALL PEDESTRIAN PUSHBUTTON UNDERNEATH CORRESPONDING PEDESTRIAN SIGNAL HEAD ON SIDE OF POLE NEAREST CROSSWALK. UNIT SHALL BE FIRMLY ATTACHED TO THE SIDE OF POLE WITH 3/4" STEEL BANDS. SHARP ENDS SHALL BE FOLDED UNDER TO PREVENT INJURY TO PEDESTRIANS.



TRAFFIC SIGNAL PEDESTAL



A hole shall be drilled in the signal pole & threaded to receive the 2" nipple.

2" Threaded Nipple, Length to be as required to fit Controller Cabinet.

From Sidewalk Finish Grade to Center of Pushbutton.



PROJECT DESCRIPTION TRAFFIC SIGNAL PEDESTAL & CONCRETE BASE DETAIL SHEET		
PROJECT NUMBER 472-84639		
DRAWN BY: T.M.	SCALE NO SCALE	REVISED BY:
DATE: MAY 97		DATE:
CITY OF WICHITA DEPARTMENT OF PUBLIC WORKS		
DIVISION OF TRAFFIC ENGINEERING WM. G. MCKINLEY P.E. TRAFFIC ENGINEER		SHEET 69 OF 142