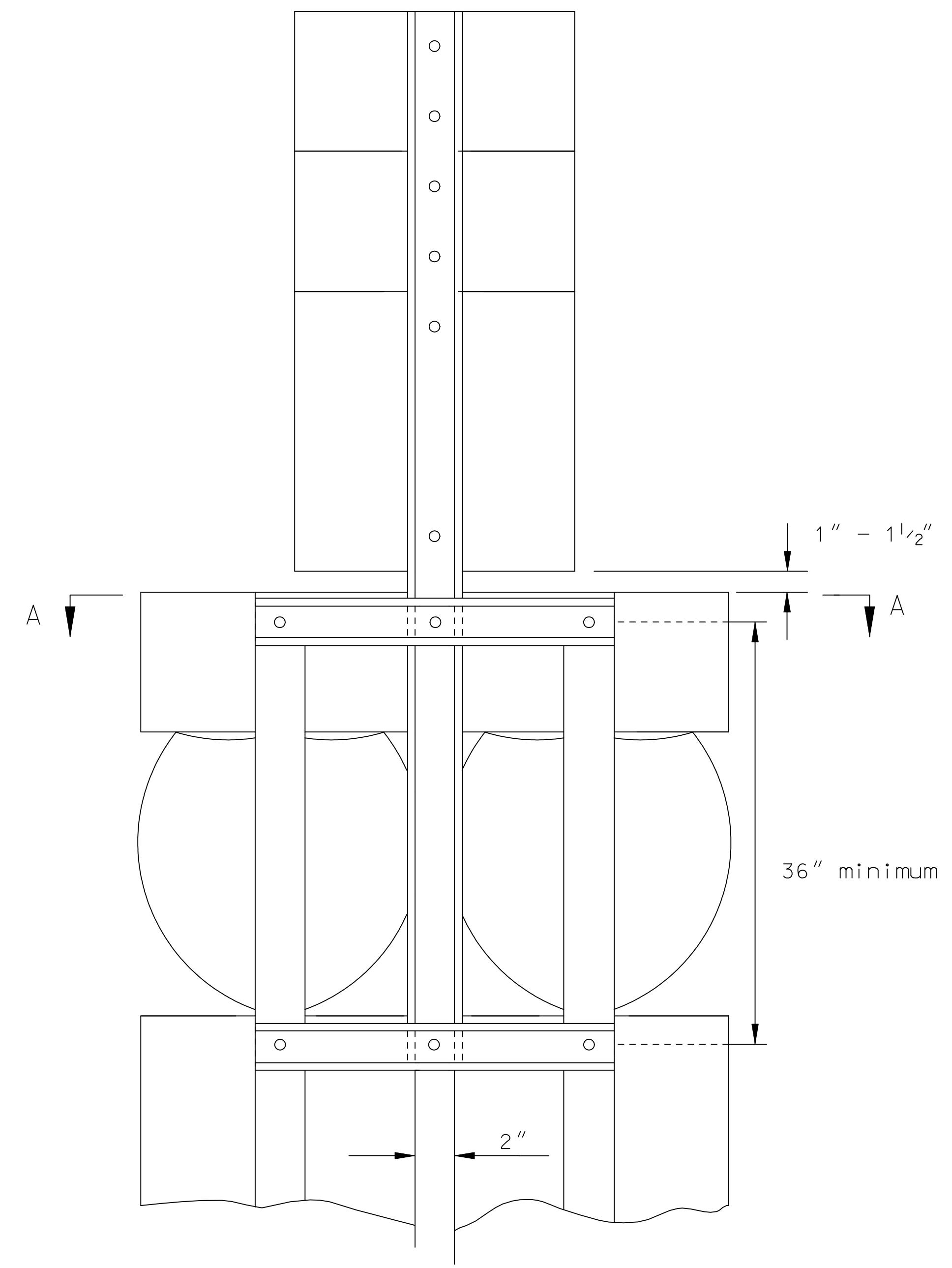
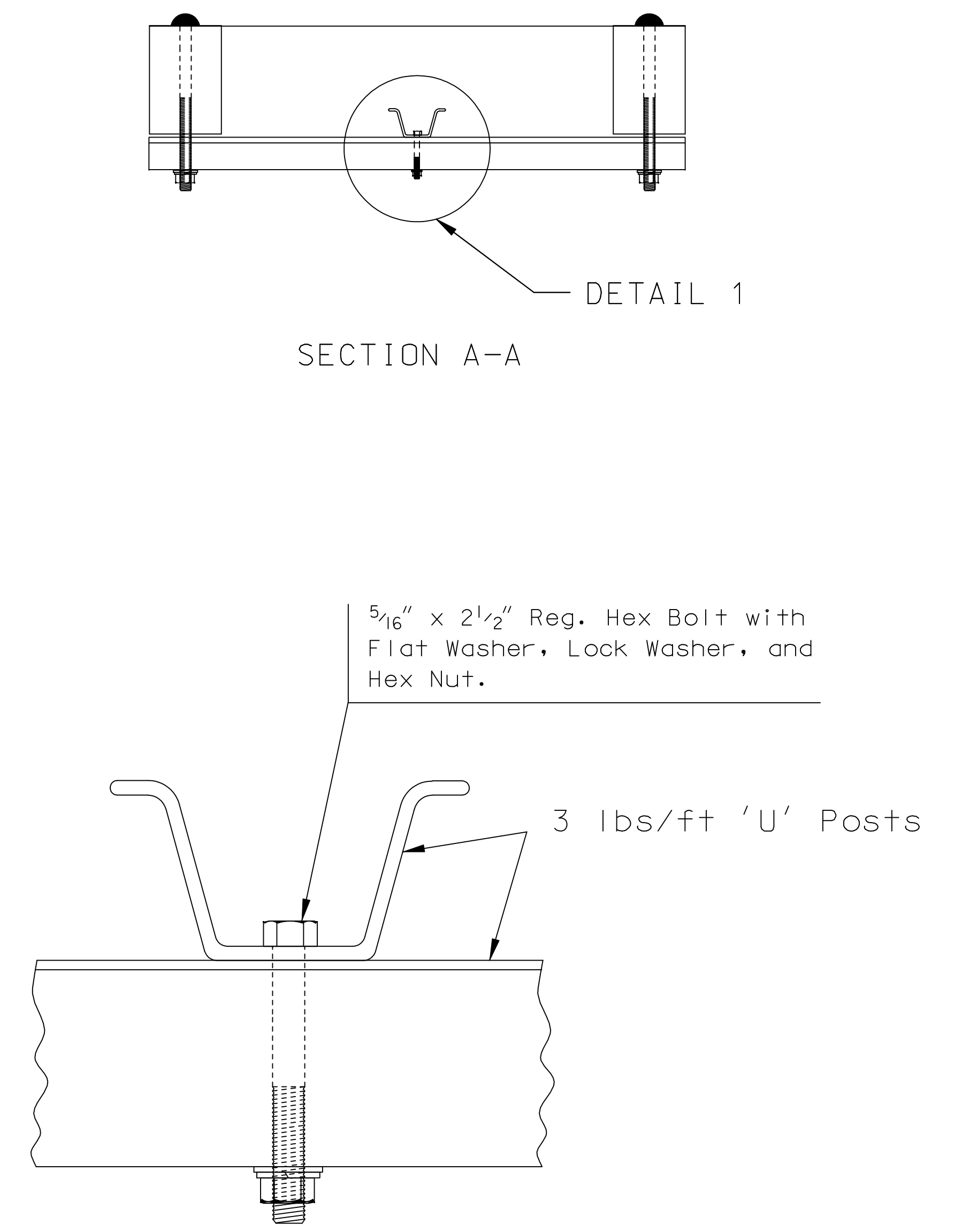


DIM.	3 lbs/ft
A	3 1/2"
B	1 3/4"
C	1 5/8"
D	9/64"

(Dimensions are Nominal)
'U' Post Dimension Details



Typical Standard Mounting
(View from the Back)



DETAIL 1

SECTION A-A
DETAIL 1

NOTE:
The 3 lbs/ft steel 'U' posts, when used as a route marker assembly attachment, shall be subsidiary to the bid item 4" x 6" Wood Post (Flat Sheet Sign).

All dimensions are in inches

NO.	DATE	REVISIONS	BY	APP'D
3				
2				
1				

KANSAS DEPARTMENT OF TRANSPORTATION
DETAILS FOR MOUNTING SIGNS
ABOVE TURN ASSEMBLIES
(WOOD POST)

TE484	07-01-03
DESIGNED DDG	APP'D Steven A. Buckley
DESIGN CK. SAB	QUANTITIES TRACED
DETAIL CK. DDG	QUAN. CK. TRACE CK.

Plotted By : drp
Plot File : I:\2006\06655\Standards\06655-TE484.dgn
Plot Date : 1/16/2008

Typical Side View