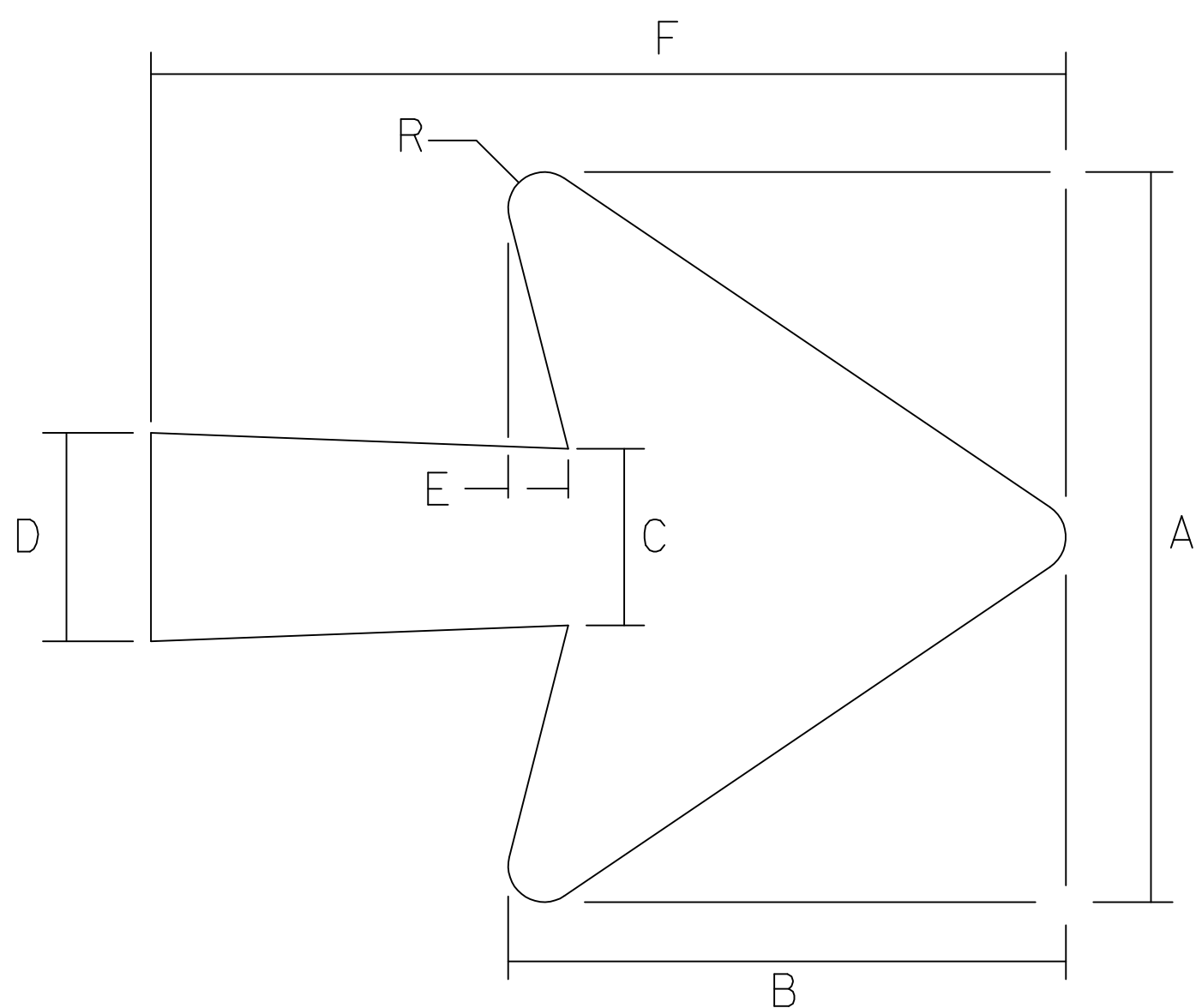


ARROW DIMENSIONS ( inches )

	A	B	C	D	E	F	R
10.67' U.C.	15 <sup>1</sup> / <sub>8</sub>	11 <sup>9</sup> / <sub>16</sub>	3 <sup>3</sup> / <sub>4</sub>	5	1 <sup>5</sup> / <sub>16</sub>	24 <sup>1</sup> / <sub>4</sub>	1 <sup>3</sup> / <sub>16</sub>
13.33' U.C.	18 <sup>1</sup> / <sub>4</sub>	14	4 <sup>1</sup> / <sub>2</sub>	6	1 <sup>1</sup> / <sub>2</sub>	29 <sup>1</sup> / <sub>4</sub>	3 <sup>3</sup> / <sub>4</sub>
16' U.C.	22 <sup>1</sup> / <sub>4</sub>	17	5 <sup>3</sup> / <sub>8</sub>	7 <sup>1</sup> / <sub>8</sub>	1 <sup>3</sup> / <sub>4</sub>	35 <sup>5</sup> / <sub>8</sub>	1

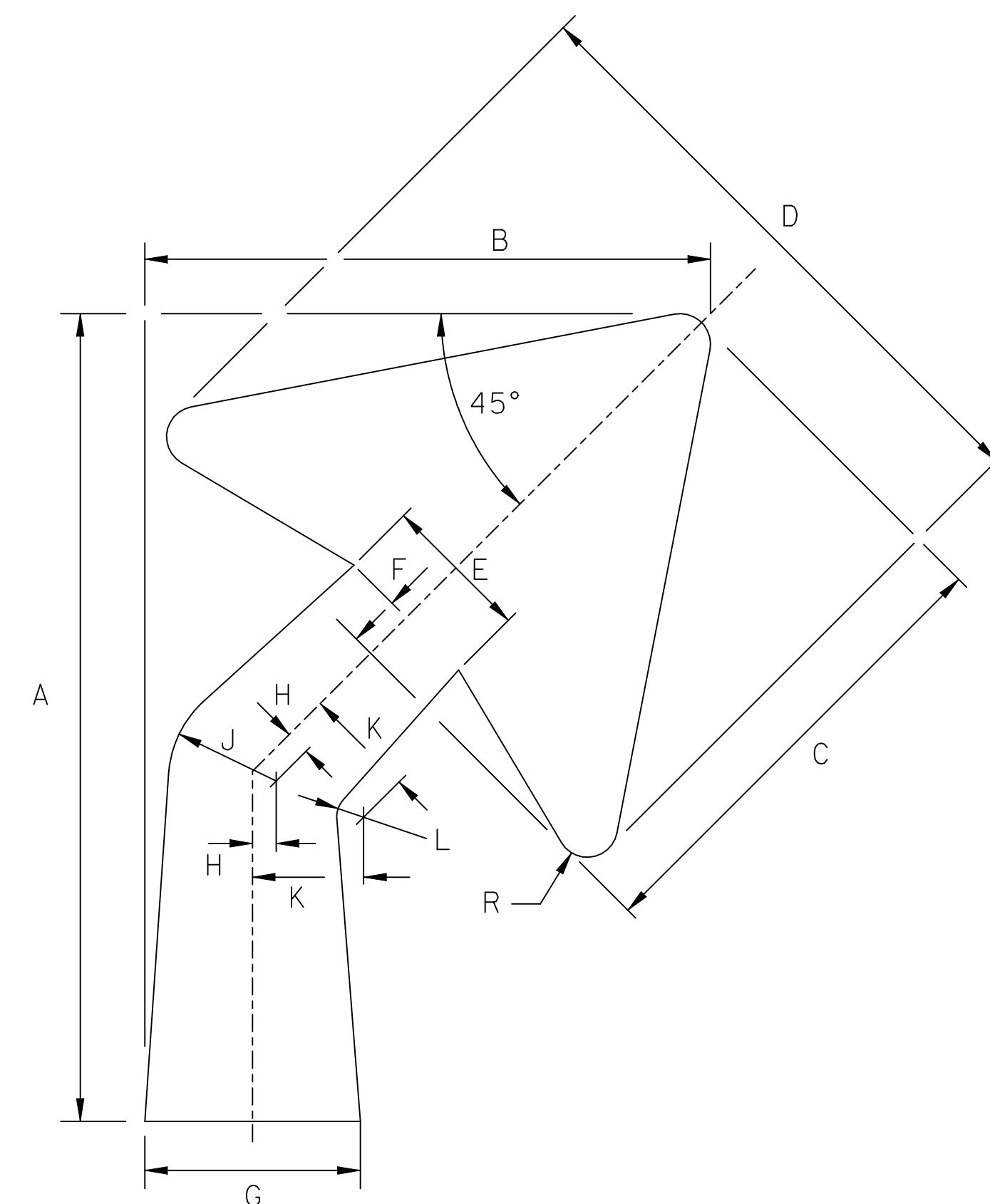
Type "A" Arrow



ARROW DIMENSIONS ( inches )

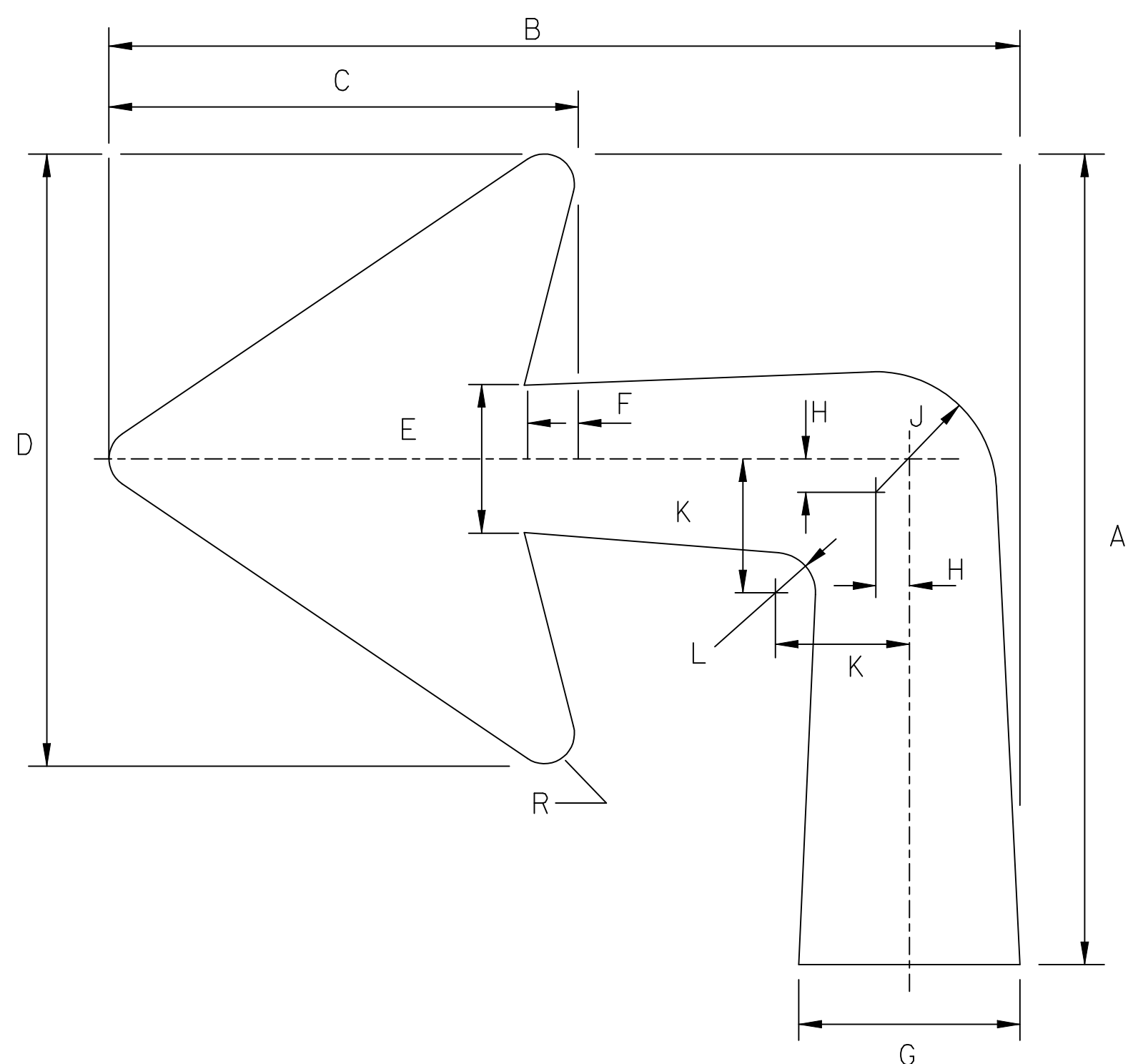
	A	B	C	D	E	F	R
10.67" U.C.	11 <sup>3</sup> / <sub>8</sub>	8 <sup>11</sup> / <sub>16</sub>	2 <sup>3</sup> / <sub>4</sub>	3 <sup>1</sup> / <sub>4</sub>	1 <sup>5</sup> / <sub>16</sub>	14 <sup>1</sup> / <sub>4</sub>	9 <sup>9</sup> / <sub>16</sub>

Type "B" Arrow



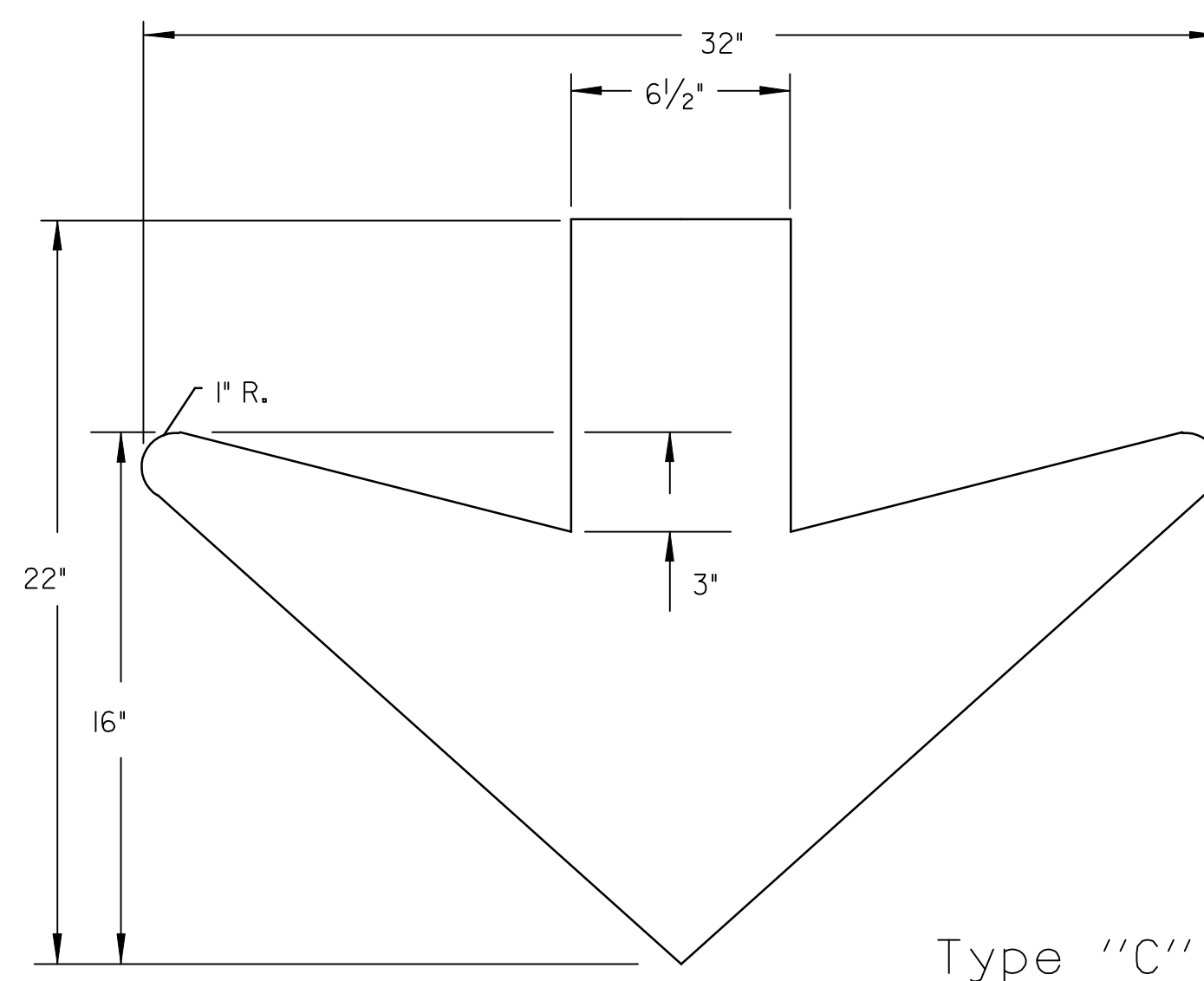
ARROW DIMENSIONS ( inches )

	A	B	C	D	E	F	G	H	J	K	L	R
10.67" U.C.	15 <sup>1</sup> / <sub>8</sub>	10 <sup>3</sup> / <sub>4</sub>	8 <sup>11</sup> / <sub>16</sub>	11 <sup>3</sup> / <sub>8</sub>	2 <sup>3</sup> / <sub>4</sub>	15 <sup>1</sup> / <sub>16</sub>	4	7 <sup>1</sup> / <sub>16</sub>	2	2 <sup>1</sup> / <sub>16</sub>	1 <sup>1</sup> / <sub>2</sub>	9 <sup>9</sup> / <sub>16</sub>
13.33" U.C.	18 <sup>1</sup> / <sub>4</sub>	13	10 <sup>7</sup> / <sub>8</sub>	14 <sup>1</sup> / <sub>4</sub>	3 <sup>1</sup> / <sub>2</sub>	1 <sup>3</sup> / <sub>16</sub>	4 <sup>1</sup> / <sub>2</sub>	9 <sup>9</sup> / <sub>16</sub>	2 <sup>1</sup> / <sub>2</sub>	2 <sup>9</sup> / <sub>16</sub>	5 <sup>5</sup> / <sub>8</sub>	11 <sup>1</sup> / <sub>16</sub>
16" U.C.	22 <sup>1</sup> / <sub>4</sub>	15 <sup>5</sup> / <sub>8</sub>	13	17	4 <sup>1</sup> / <sub>8</sub>	1 <sup>7</sup> / <sub>16</sub>	5 <sup>1</sup> / <sub>4</sub>	5 <sup>5</sup> / <sub>8</sub>	3	3 <sup>1</sup> / <sub>8</sub>	3 <sup>3</sup> / <sub>4</sub>	7 <sup>7</sup> / <sub>8</sub>



ARROW DIMENSIONS ( inches )

	A	B	C	D	E	F	G	H	J	K	L	R
10.67" U.C.	15 <sup>1</sup> / <sub>8</sub>	17	8 <sup>11</sup> / <sub>16</sub>	11 <sup>3</sup> / <sub>8</sub>	2 <sup>3</sup> / <sub>4</sub>	1 <sup>5</sup> / <sub>16</sub>	4 <sup>1</sup> / <sub>8</sub>	5 <sup>5</sup> / <sub>8</sub>	2 <sup>1</sup> / <sub>4</sub>	2 <sup>1</sup> / <sub>2</sub>	3 <sup>3</sup> / <sub>4</sub>	9 <sup>9</sup> / <sub>16</sub>
13.33" U.C.	18 <sup>1</sup> / <sub>4</sub>	20 <sup>1</sup> / <sub>2</sub>	10 <sup>7</sup> / <sub>8</sub>	14 <sup>1</sup> / <sub>4</sub>	3 <sup>1</sup> / <sub>2</sub>	1 <sup>3</sup> / <sub>16</sub>	5 <sup>1</sup> / <sub>8</sub>	5 <sup>5</sup> / <sub>8</sub>	2 <sup>3</sup> / <sub>4</sub>	2 <sup>7</sup> / <sub>8</sub>	1	11 <sup>1</sup> / <sub>16</sub>
16" U.C.	22 <sup>1</sup> / <sub>4</sub>	25	13	17	4 <sup>1</sup> / <sub>8</sub>	1 <sup>7</sup> / <sub>16</sub>	6 <sup>1</sup> / <sub>8</sub>	3 <sup>3</sup> / <sub>4</sub>	3 <sup>1</sup> / <sub>4</sub>	3 <sup>7</sup> / <sub>8</sub>	1 <sup>1</sup> / <sub>4</sub>	7 <sup>7</sup> / <sub>8</sub>



Type "C"

NOTE:

Use Type 'A' arrows on Interstate and Expressway with interchanges. Use Type 'B' arrows on the mainline of Expressways with at-grade intersections. See standard plan sheet TE590 for detailed specifications.

All dimensions are in inches.

3				
2				
1				
NO.	DATE	REVISIONS	BY	APP'D
<b>KANSAS DEPARTMENT OF TRANSPORTATION</b> GUIDE SIGN LEGEND DETAILS ARROWS TE560 <span style="float: right;">7-1-03</span>				
FHWA APPROVAL 07-22-2003		APP'D Steven A. Buckley		
DESIGNED DDG	DETAILED WJB	QUANTITIES	TRACED	
DESIGN CK. SAB	DETAIL CK. DDG	QUAN. CK.	TRACE CK.	