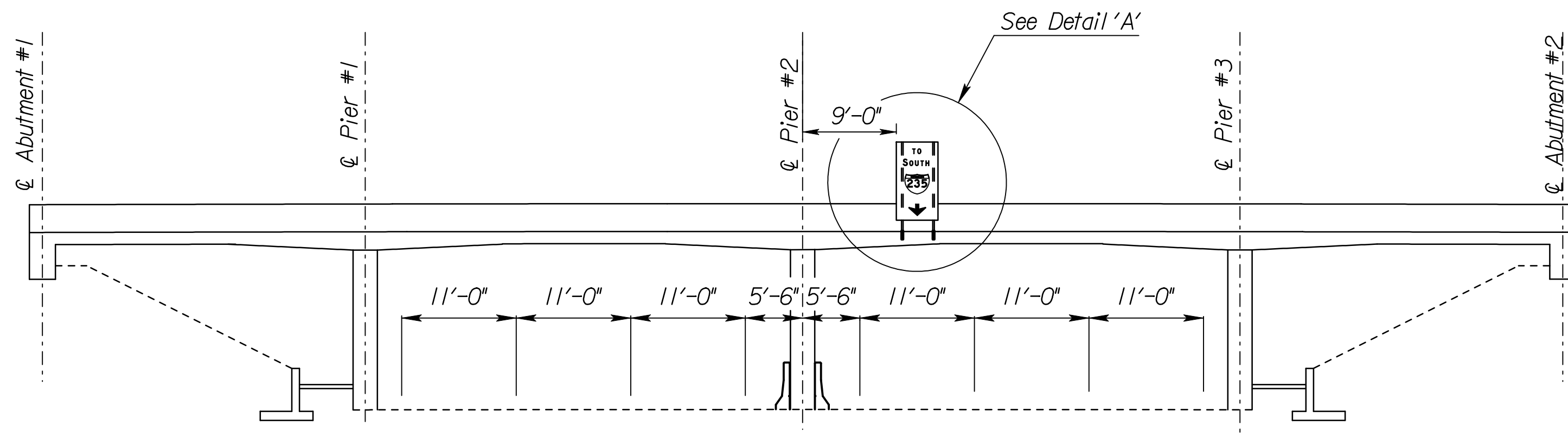


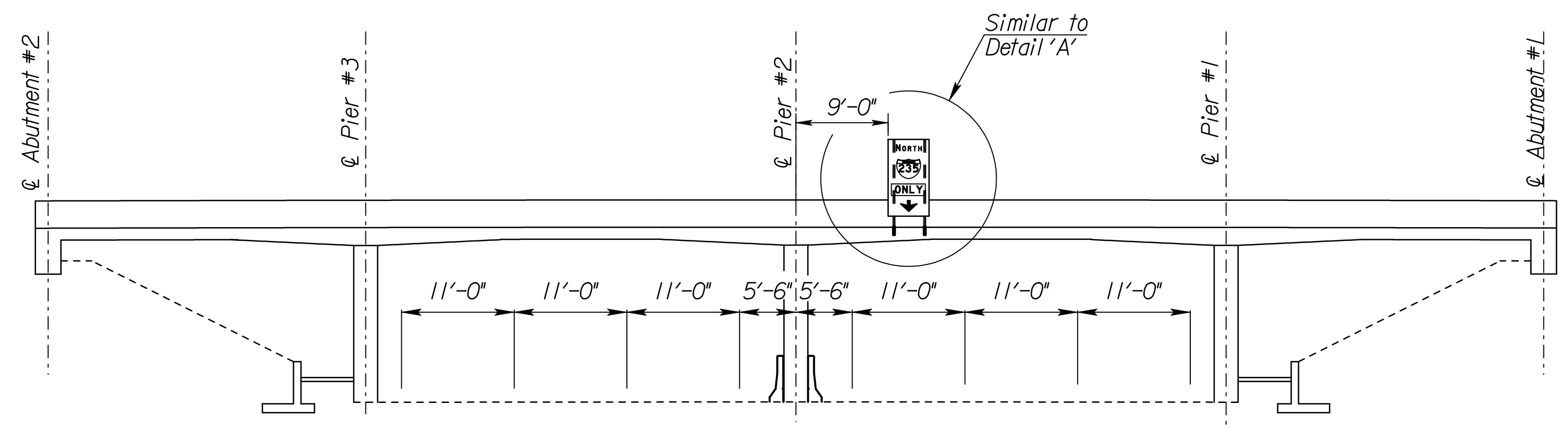
STATE	PROJECT NO.	YEAR	SHEET NO.	TOTAL SHEETS
KANSAS	472-84639	2008	97	142



EB Central Ave. WB Central Ave.

ELEVATION
(Looking west)

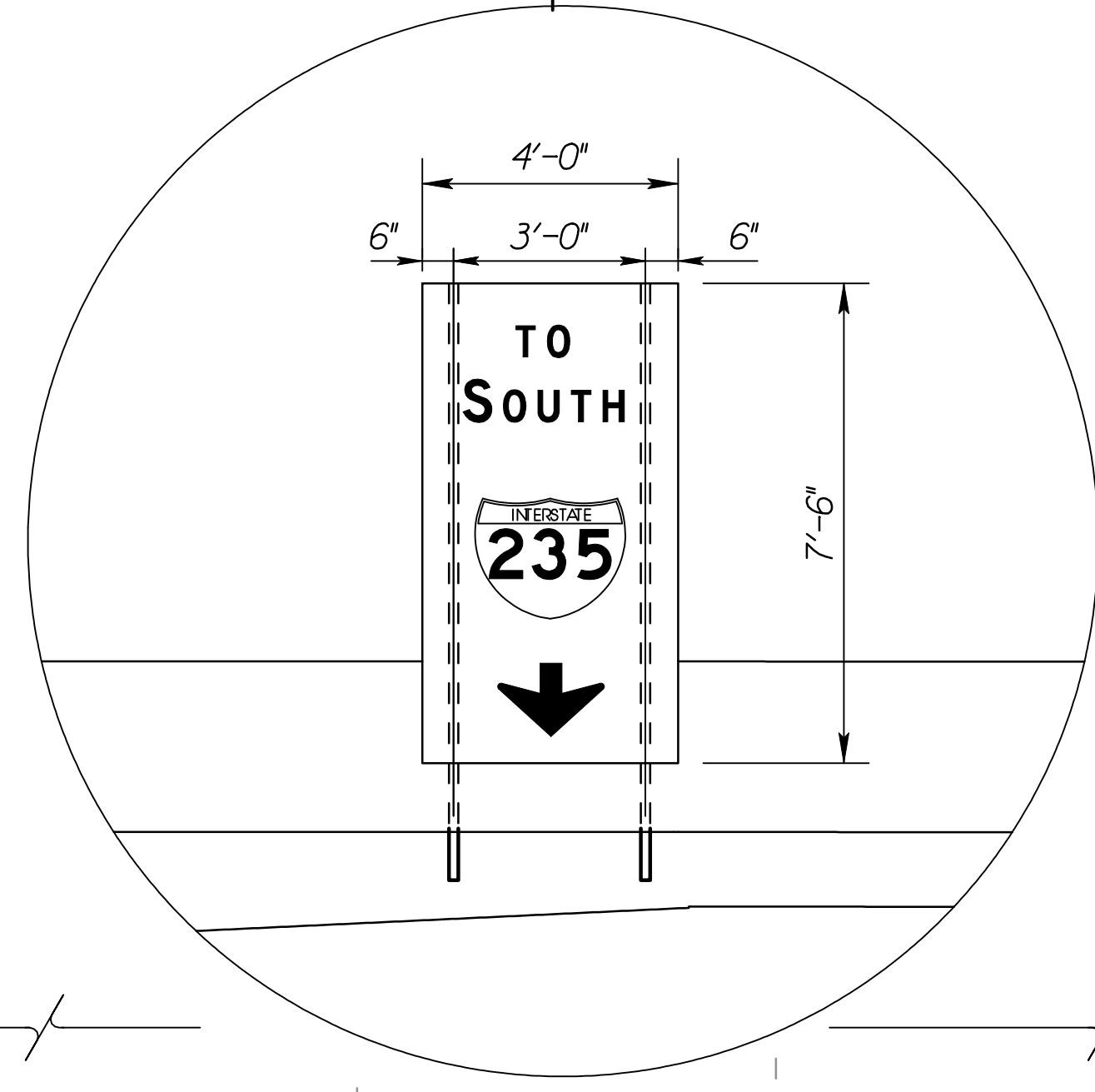
Scale: 1"=10'-0"



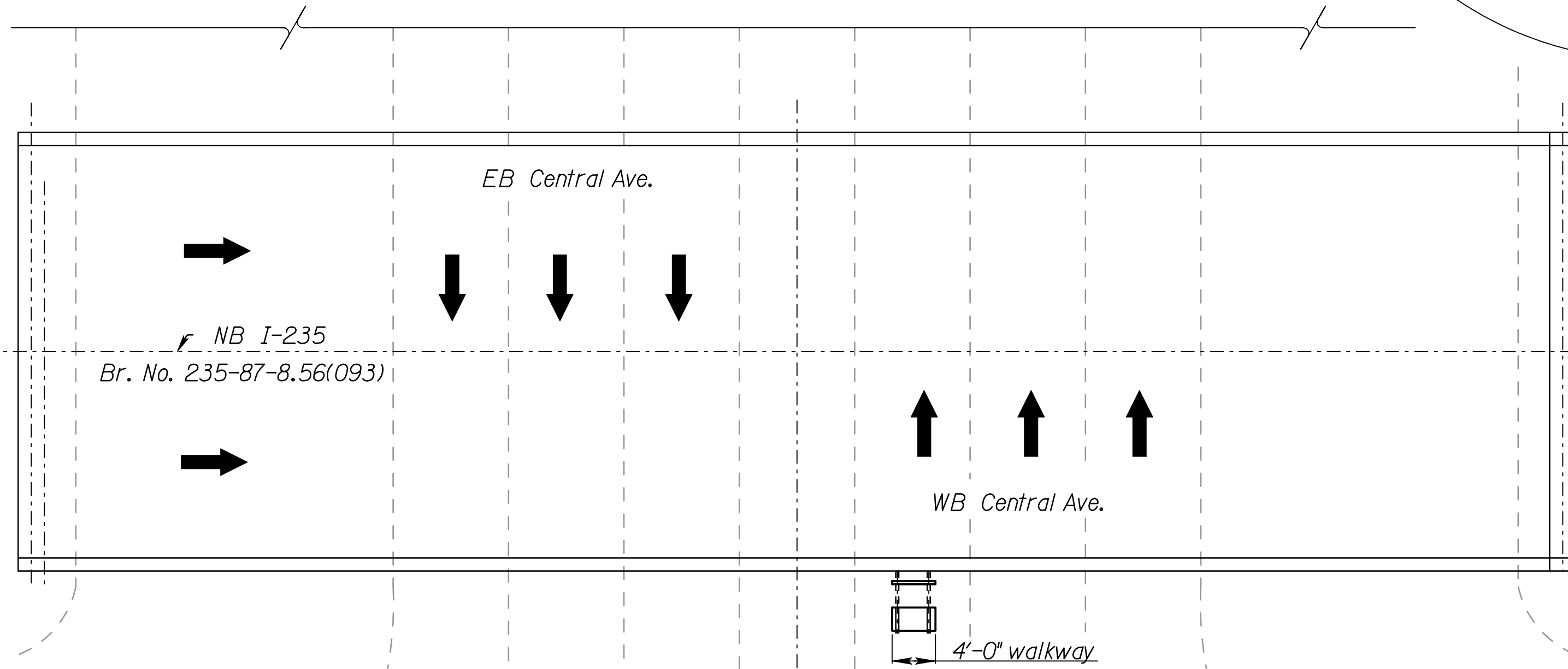
WB Central Ave. EB Central Ave.

ELEVATION
(Looking east)

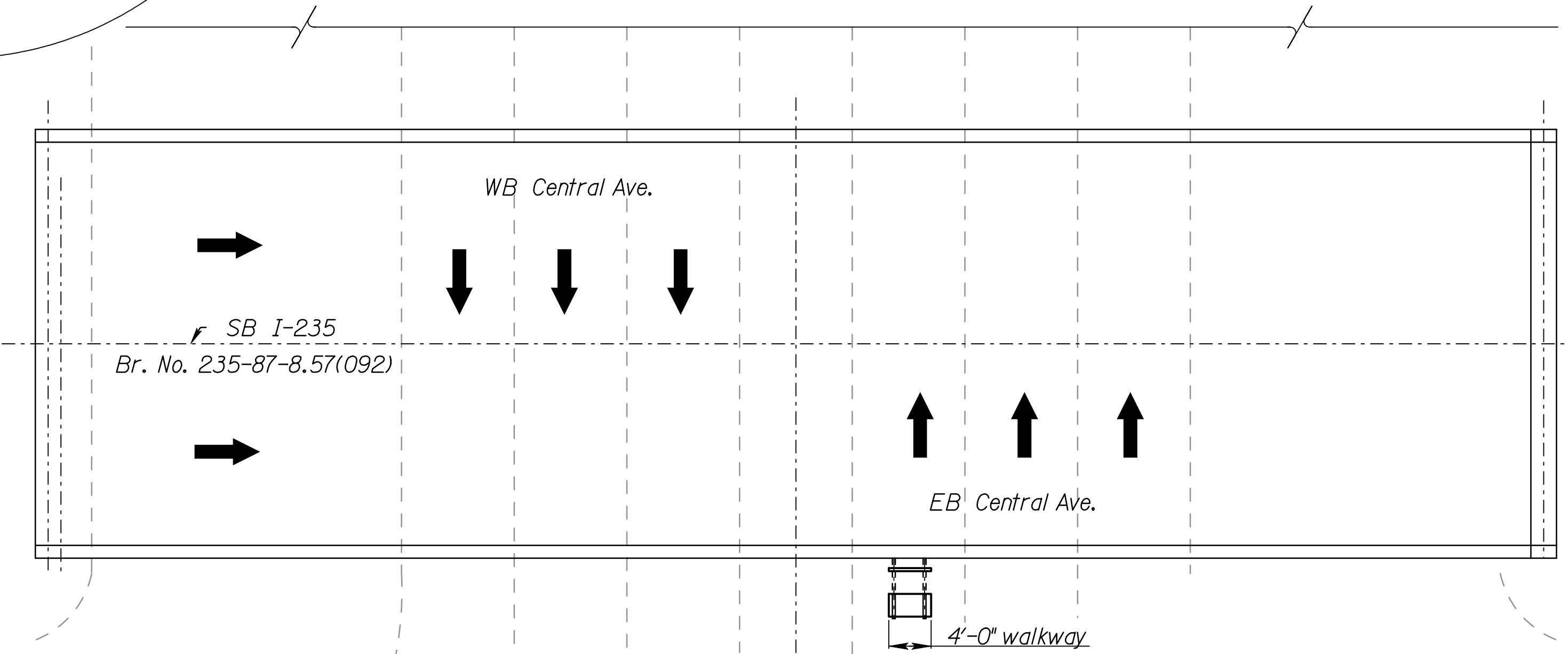
Scale: 1"=10'-0"



Detail 'A'



PLAN



PLAN

Std. Base File:
 Plotted By: drp
 File: I:\2006\06655\Signing_Markings\06655-SL-016101-BR101-BM-CL.dgn
 Plot Date: 1/16/2008

3					
2					
1					
NO.	DATE	REVISIONS	BY	APP'D	
KANSAS DEPARTMENT OF TRANSPORTATION Br. No. 235-87-8.56(093) Br. No. 235-87-8.57(092) BRIDGE MOUNTED SIGN ATTACHMENT CONSTRUCTION LAYOUT I-235 over Central Avenue PROJ. NO. 472-84639 SEDGWICK CO.					
SHEET NO.	OF	SCALE	APP'D		
DESIGNED	CEM	DETAILED	CEM	QUANTITIES	CEM
DESIGN CK.		DETAIL CK.		QUAN. CK.	CADD CK.