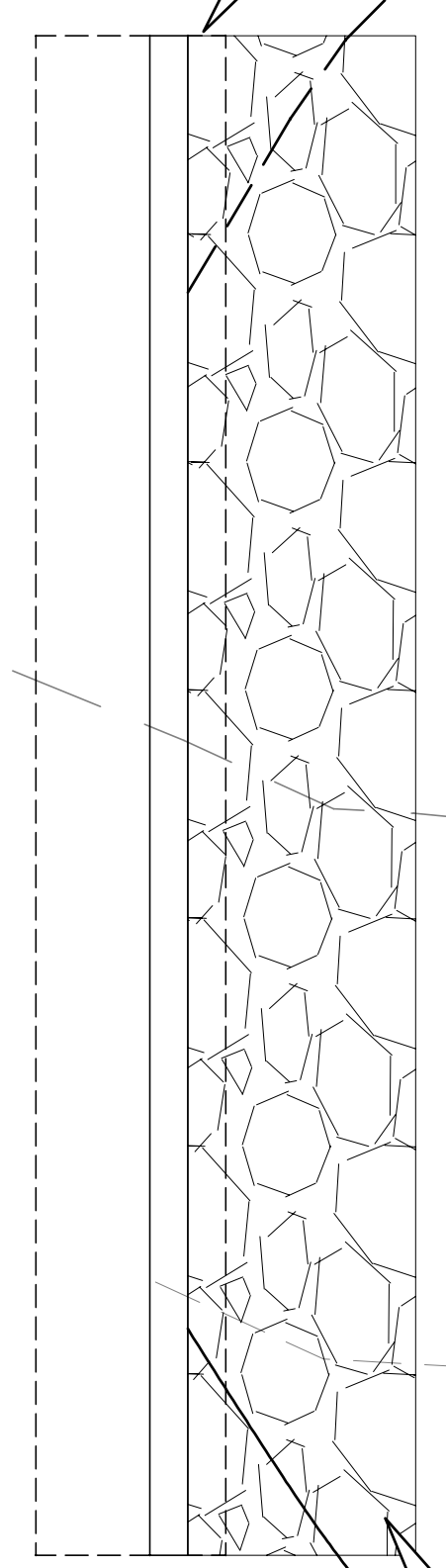


N 7743.208
E 16806.773

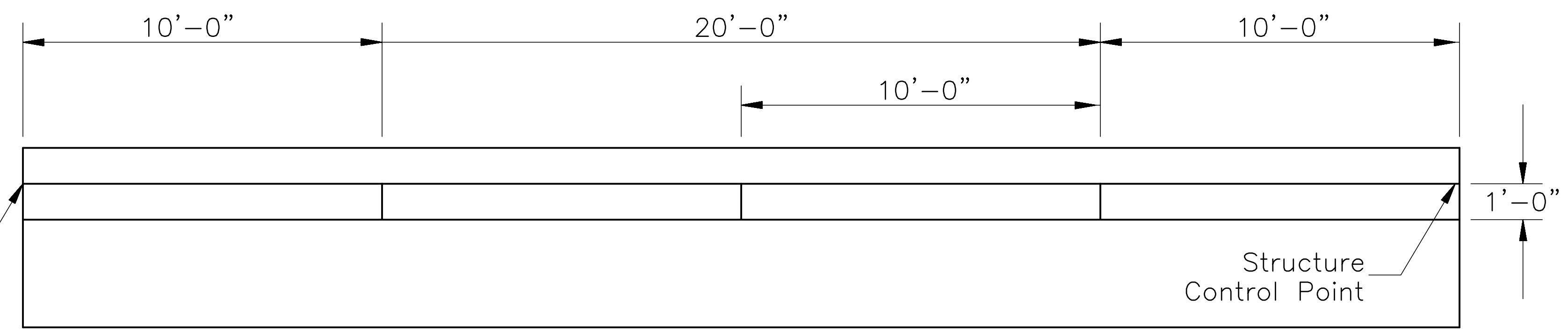


POND
1335

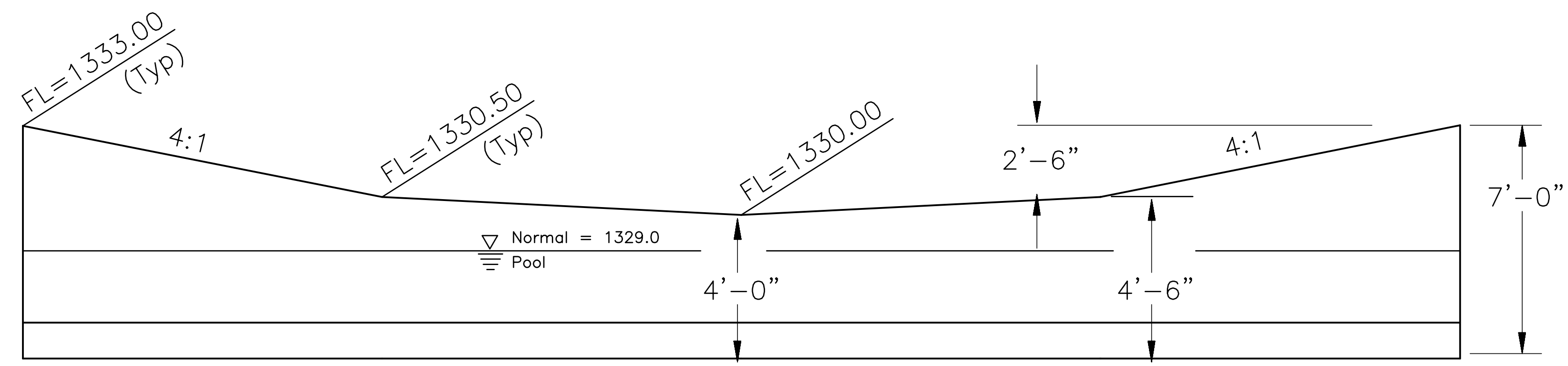
N 7743.452
E 16846.772

26 SY Rip-Rap
Heavy Stone (40'x 6')

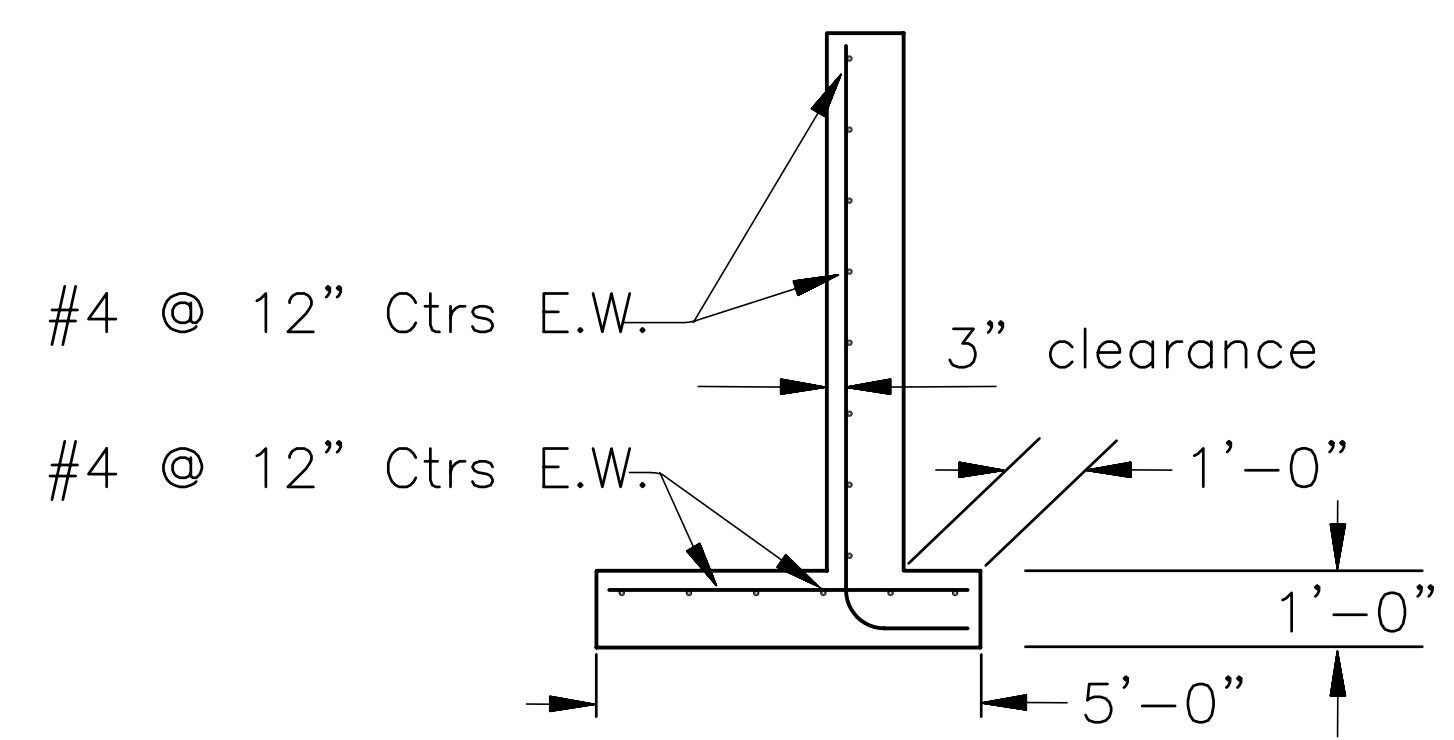
Structure
Control Point



PLAN



ELEVATION



SIDE

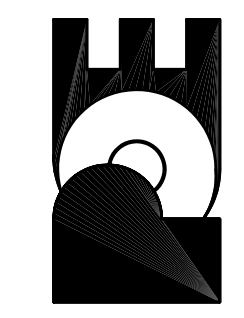
Reinforced Concrete Toe Wall

Scale: 1"=2.5'

| No. | Date | By | Approved | Revision |
|-----|------|----|----------|----------|
| 1 | | | | |
| 2 | | | | |
| 3 | | | | |
| 4 | | | | |

EQUESTRIAN ESTATES ADDITION - PHASE 2
STORM WATER DRAIN NO. 179
REINFORCED CONCRETE INLET STRUCTURE
CITY OF WICHITA, KANSAS
JAMES L. ARMOUR, P.E. - CITY ENGINEER
C.O.W. Project # 488-83319 O.C.A. # 75140

POE & ASSOCIATES, INC.
CONSULTING ENGINEERS
5940 E. Central, Suite 200 ■ Wichita, KS 67208-4242
Phone 316/685-1114 ■ FAX 316/685-4444



FINAL
Designed By: JMU/JPD
Drawn By: JMU/JPD
Poe Job No.: 1694J
Date: January 2006