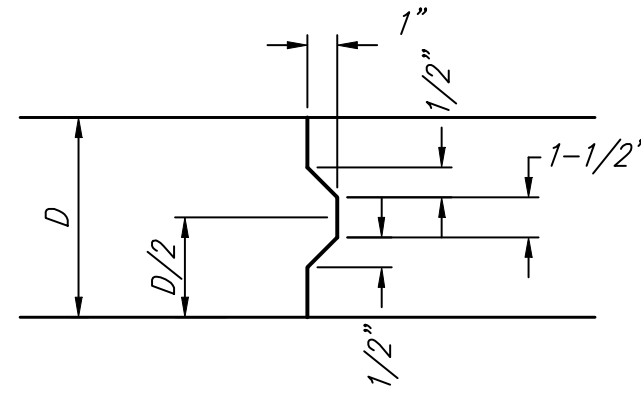
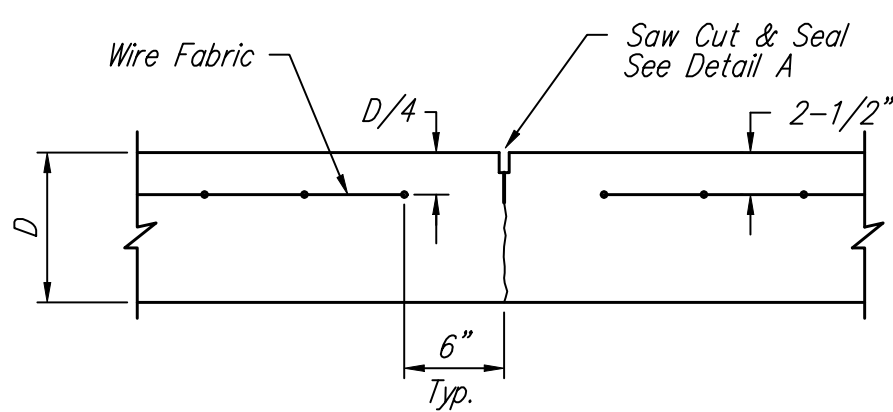


EXPANSION JOINT

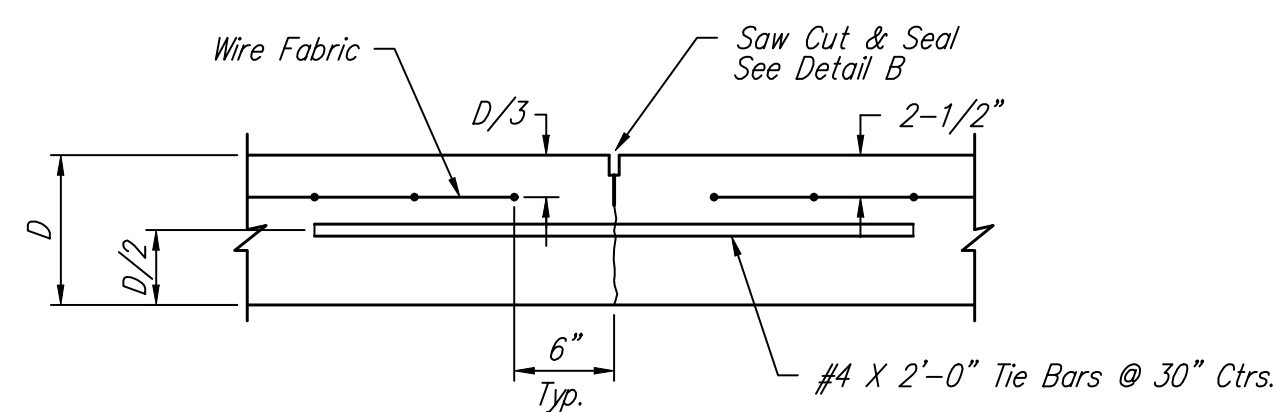
NOTE: Extra Thickness to be Subsidiary to Price of Square Yards Pavement



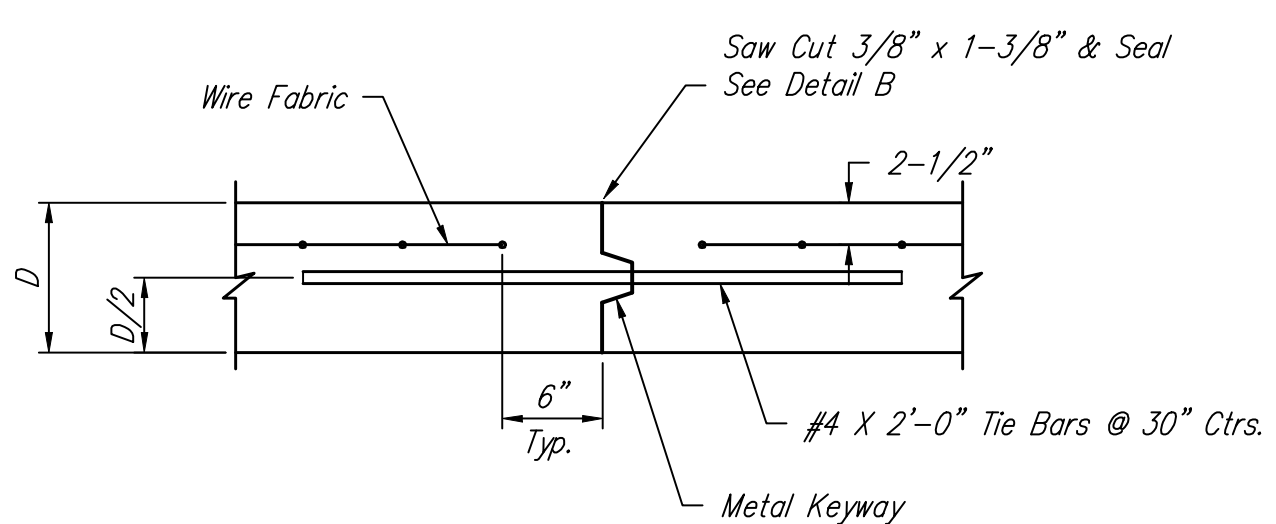
KEYWAY DETAIL



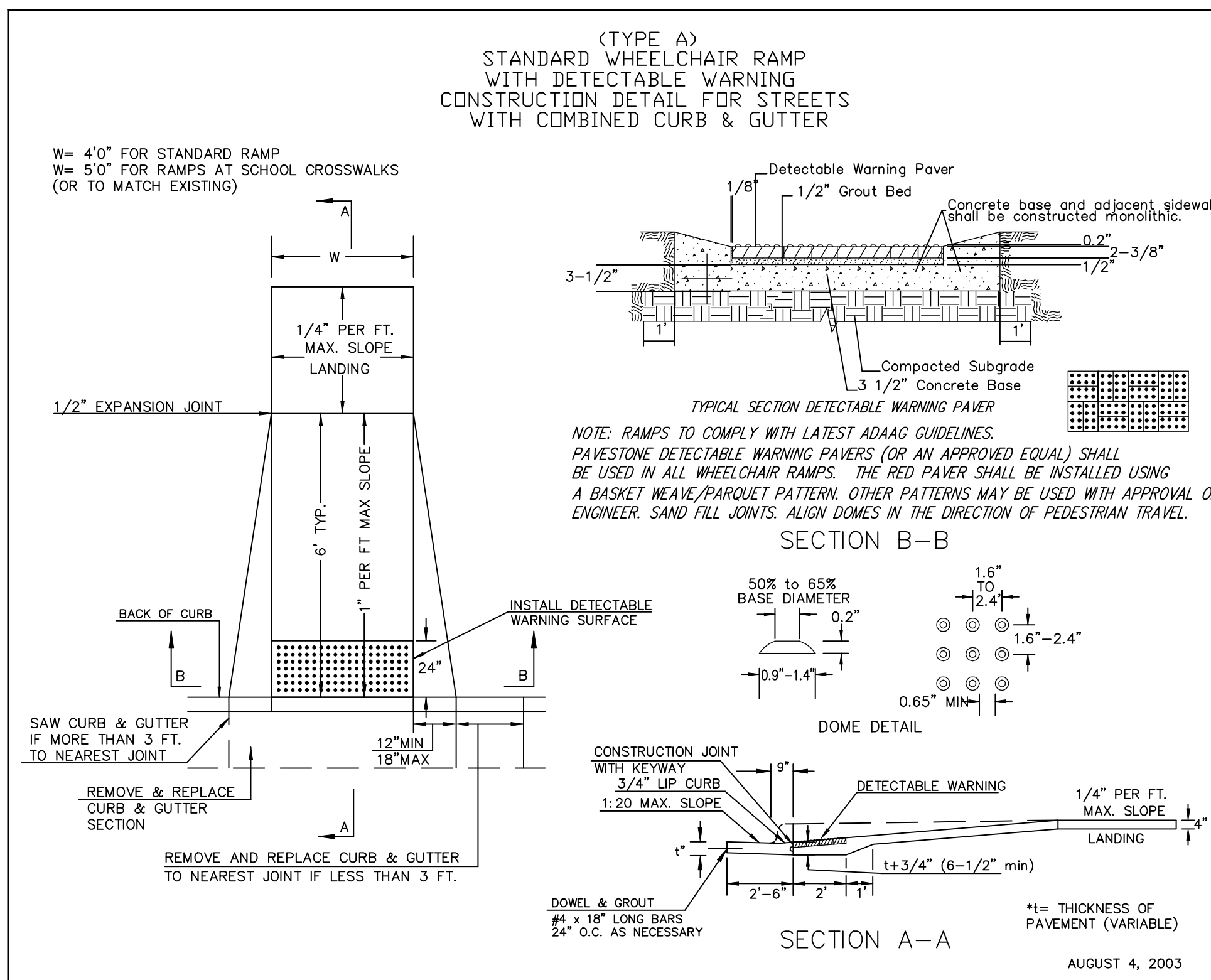
CONTRACTION JOINT DETAIL (C.J.)



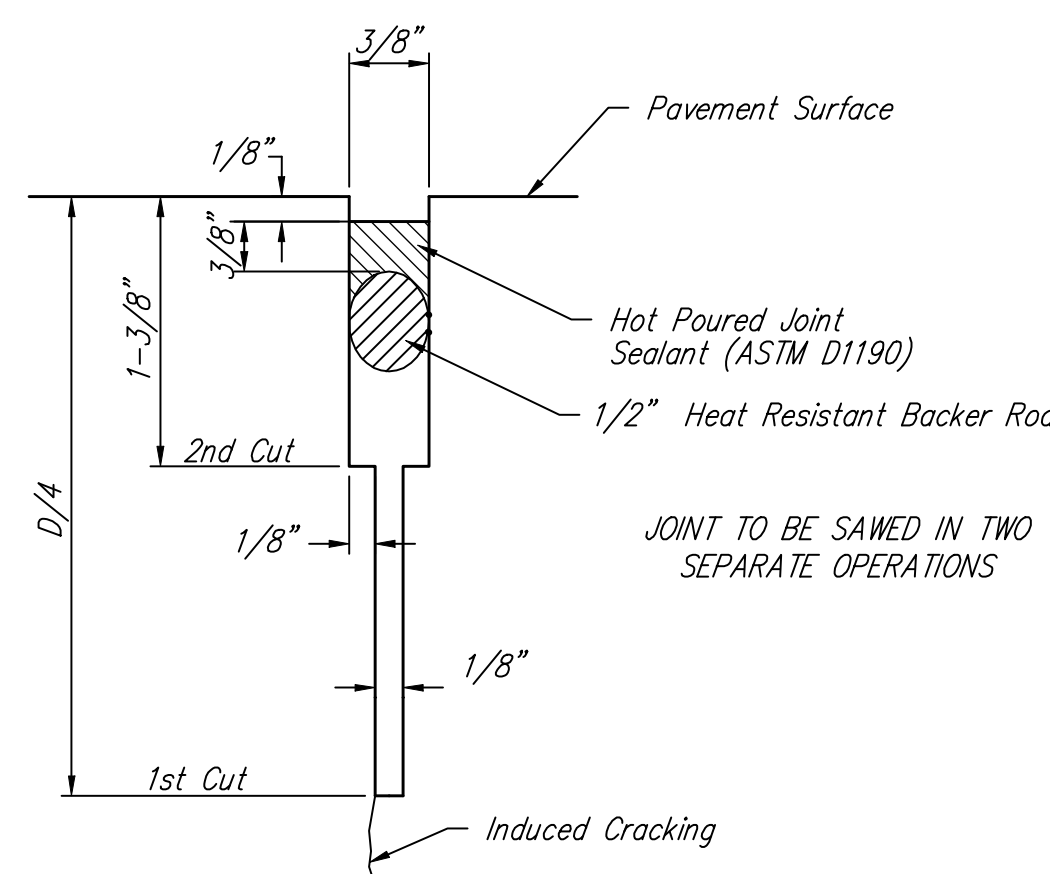
LONGITUDINAL JOINT DETAIL (L.J.)



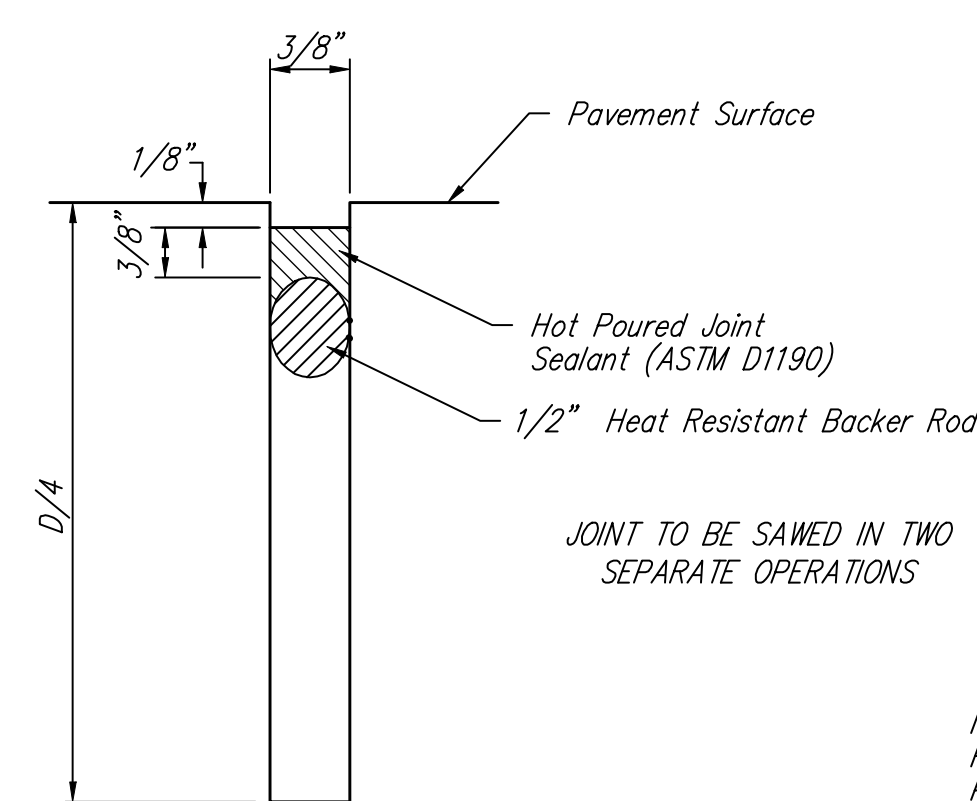
OPTIONAL LONGITUDINAL JOINT DETAIL (L.J.) (CONSTRUCTION JOINT)



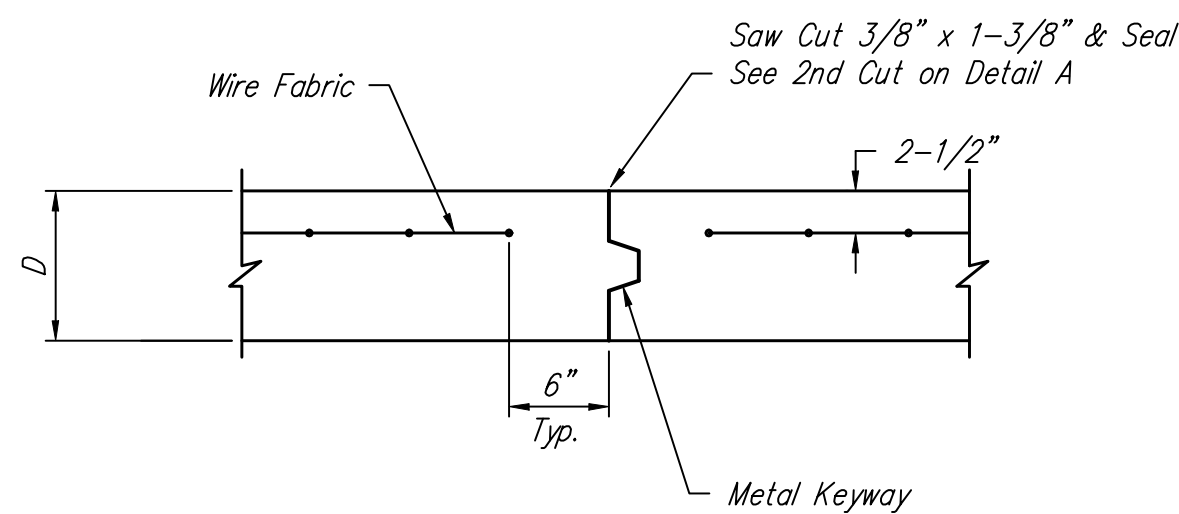
WHEELCHAIR RAMP DETAIL



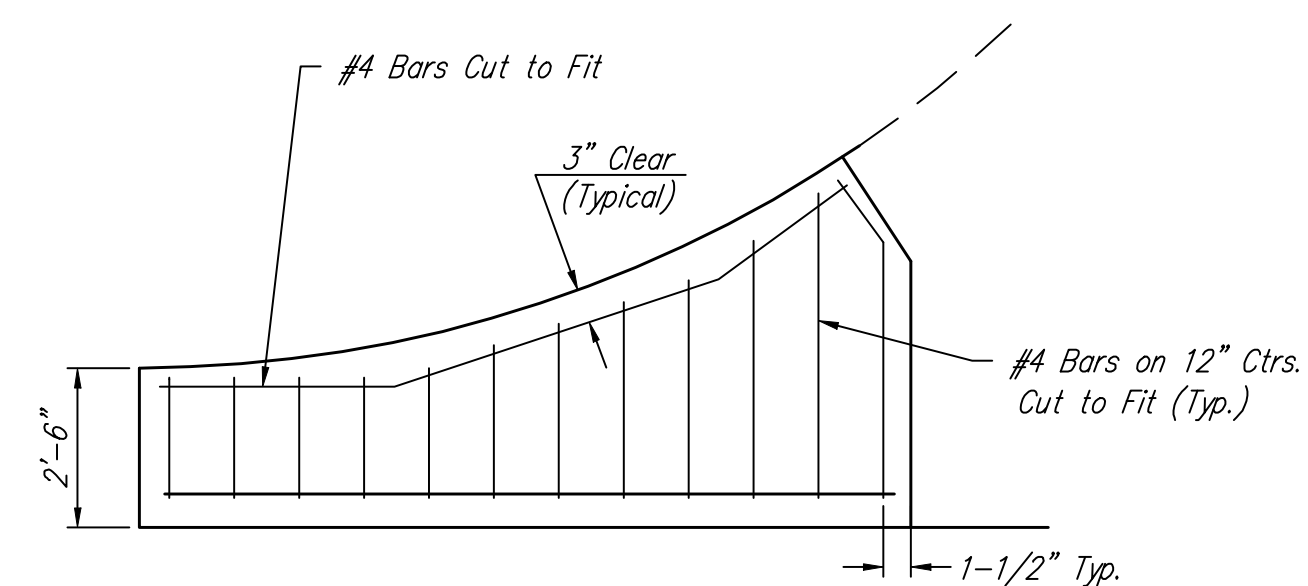
SAW JOINT DETAIL "A"



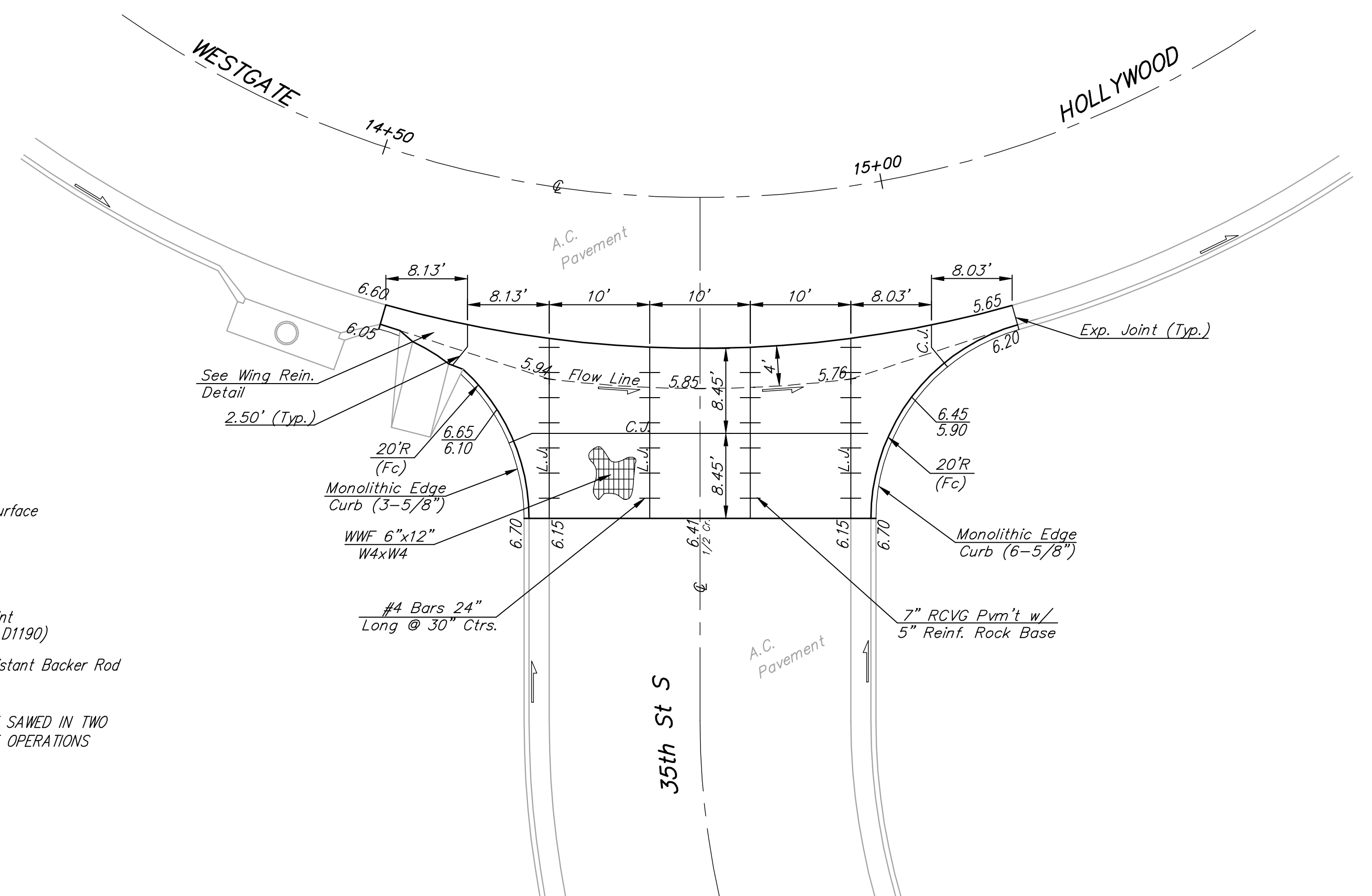
SAW JOINT DETAIL "B"



OPTIONAL CONTRACTION JOINT (CONSTRUCTION JOINT)

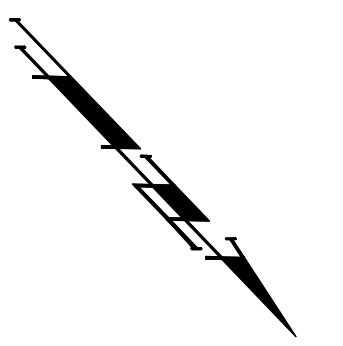


WING REINFORCING DETAIL



VALLEY GUTTER DETAILS

NOTE: 6" X 12" W4XW4 Wire Fabric Reinforcing Shall Be Placed So That The Wires With The 6" Spacing Will Run Parallel With The Longitudinal Joints.



Scale: 1" = 10'

Baughman		Harvest Ridge Addition - Phase II	
		Miscellaneous Details	
Baughman Company, P.A. 315 Ellis St. Wichita, KS 67211 P 316262-7271 F 316262-0149			
ENGINEERING SURVEYING PLANNING LANDSCAPE ARCHITECTURE			
PROJECT NUMBER 472-83805	DESIGN JAK	DRAWN JAK	DATE 4/12/06
REVISIONS:	APPROVED	SCALE NONE	SHEET 4 OF 34
E:\Eng\Harvest Ridge\Phase 2\vgdetail.dwg			