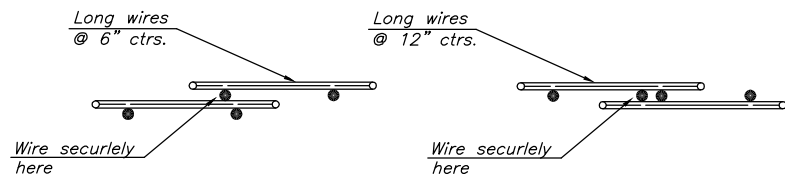
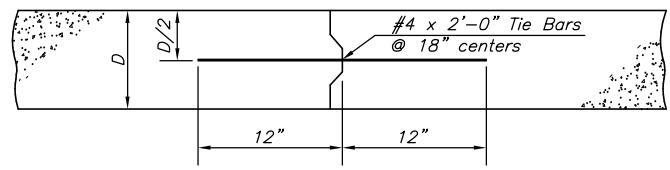


\* Note:  
The 3 1/2" as shown on standard sheet is a nominal dimension and may be subject to a normal unevenness due to placement operations.



**DETAIL OF LAP FOR WIRE MESH**

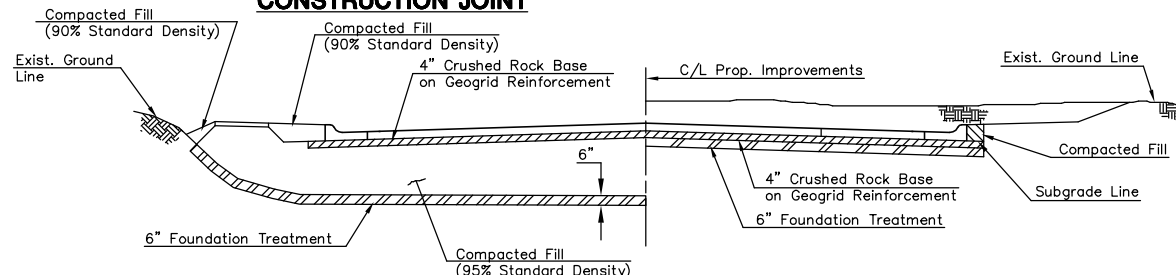
Note:  
The lap shall extend beyond the first transverse wire of each sheet.  
The sheets shall be wired securely at the edges and at intervals not to exceed 2'-6" for the full width of the sheet.  
Approx. weight of wire mesh = 44 lbs. per 100 sq. ft.  
Other methods for fastening the sheets of wire mesh at the laps may be used with the approval of the Engineer.



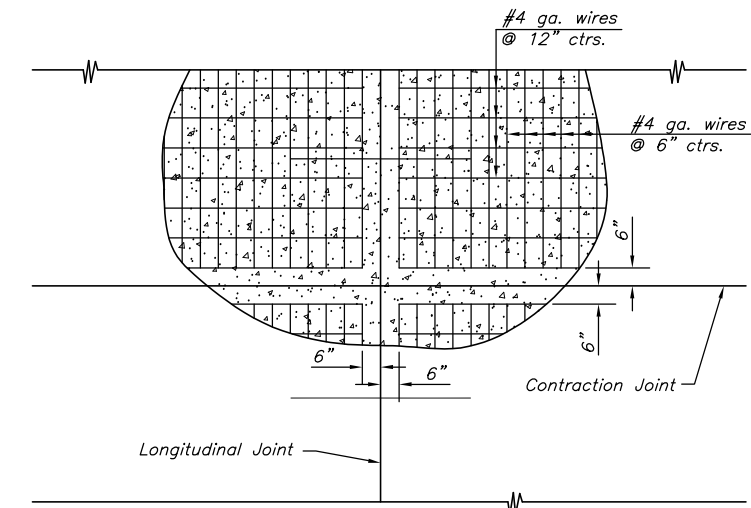
**CONSTRUCTION JOINT**

Note:  
A Construction Joint is required when the pour has been interrupted for a substantial length of time or at the end of a days pour.

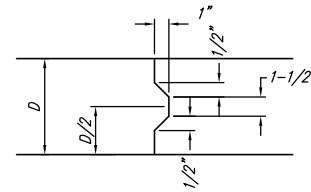
Transverse Construction Joints shall be sawed and filled as specified for Contraction Joints.



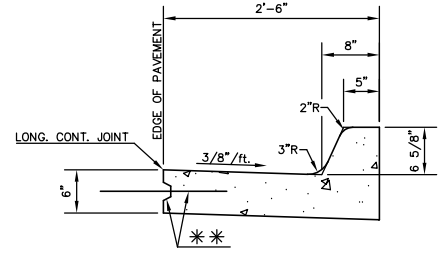
**FOUNDATION TREATMENT AND COMPACTION OF EARTHWORK**



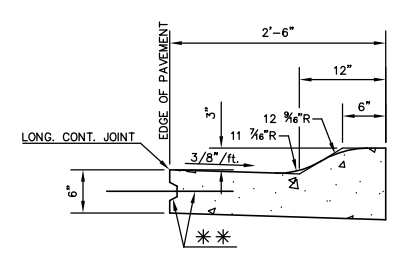
**PLAN**



**KEYWAY DETAIL**



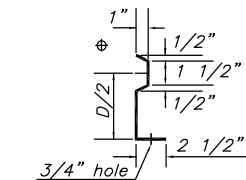
**COMBINED CURB & GUTTER**



**COMBINED ROLL TYPE CURB & GUTTER**

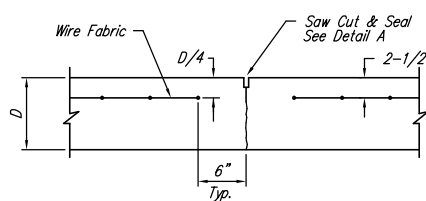
\*\* LONGITUDINAL CONSTRUCTION JOINT AND #4x1'-6" DEFORMED BARS AT 2'-6" CENTERS, WHERE CONCRETE PAVEMENT IS CONSTRUCTED.

\*\* LONGITUDINAL CONSTRUCTION JOINT AND #4x1'-6" DEFORMED BARS AT 2'-6" CENTERS, WHERE CONCRETE PAVEMENT IS CONSTRUCTED.

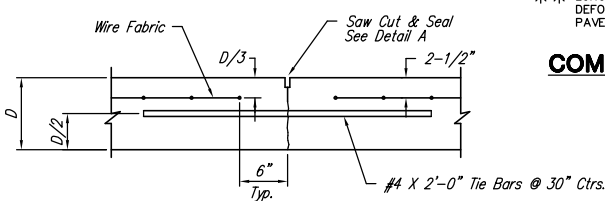


**SECTION OF RECESSED FORM LEG**

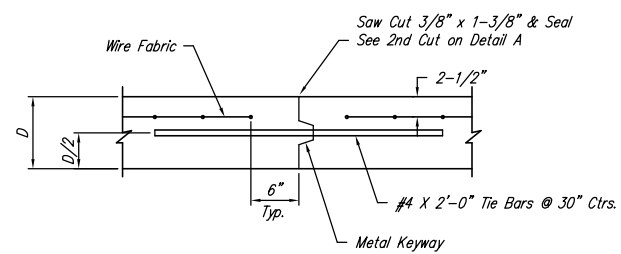
⊕ Snap-in leg or other approved designs may be used inlieu of welded leg.



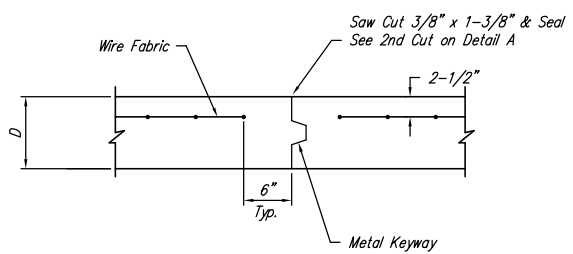
**CONTRACTION JOINT DETAIL (C.J.)**



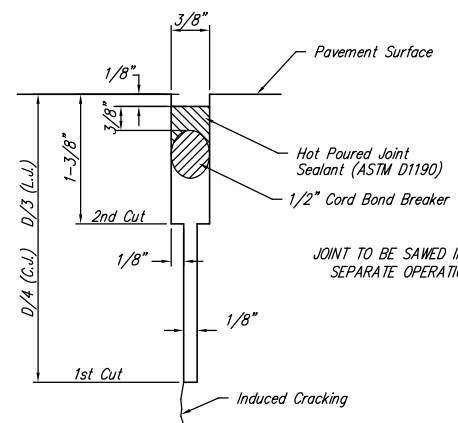
**LONGITUDINAL JOINT DETAIL (L.J.)**



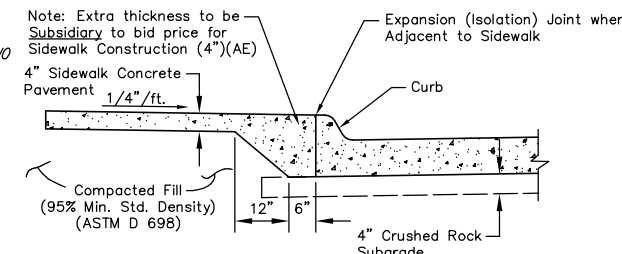
**OPTIONAL LONGITUDINAL JOINT DETAIL (L.J.)**



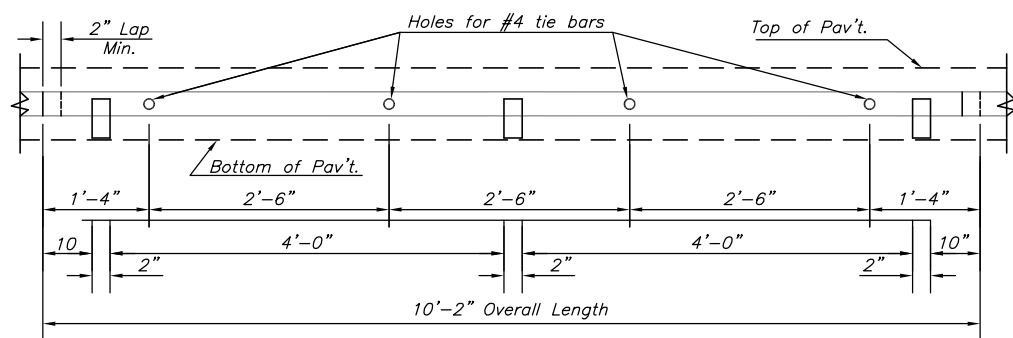
**OPTIONAL CONTRACTION JOINT (C.J.)**



**SAW JOINT DETAIL**



**FULL SIDEWALK DETAIL**



**METAL STRIP FOR LONGITUDINAL CONSTRUCTION JOINT**

TO BE USED ONLY AGAINST FORMS. SHALL NOT EXTEND THROUGH CONTRACTION OR EXPANSION JOINTS. OTHER TYPES OF CONSTRUCTION SHALL BE PERMITTED WITH THE APPROVAL OF THE ENGINEER.



<b>MOSLEY CUL-DE-SAC</b>		
PROJECT NAME		
<b>TYPICAL SECTIONS &amp; MISC. DETAILS</b>		
SHEET TITLE		
JRA	WNJ	JRA
DESIGN BY:	DRAWN BY:	CHECKED BY:
JULY 2007	04100	2 / 7
DATE	JOB NO.	ISHEET/OF