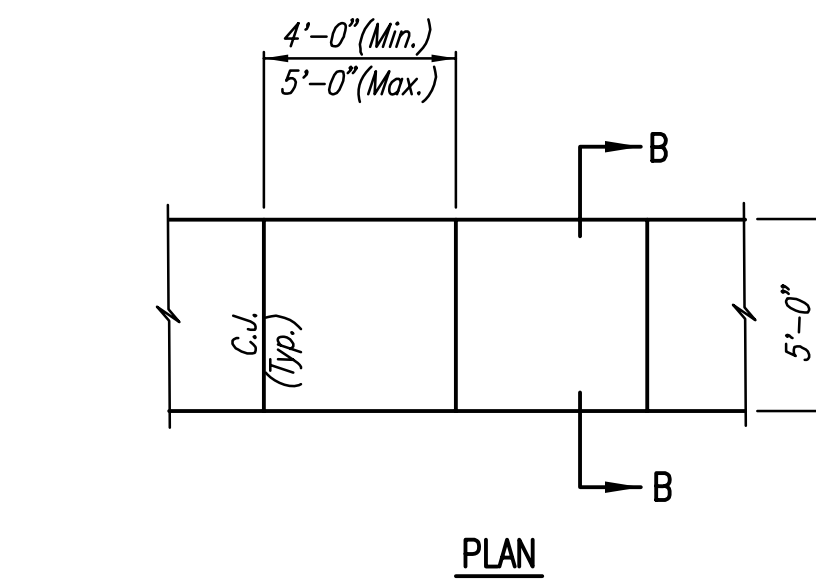
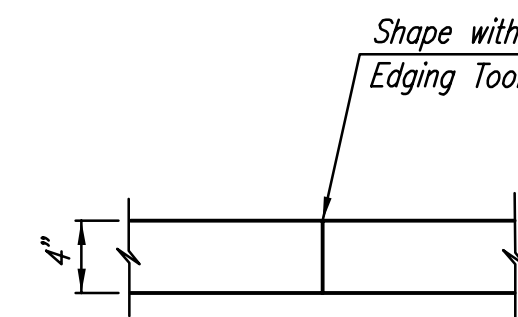


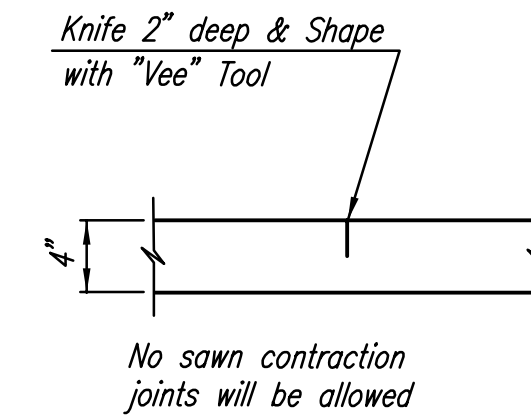
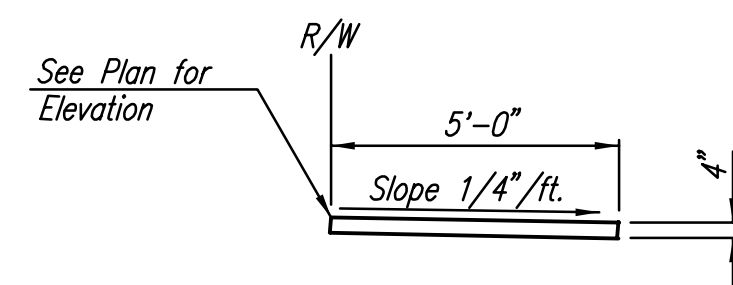
**COMPACTED FILL DETAIL
WHERE SIDEWALK IS CONSTRUCTED**
(See Plan Sheets for Locations)



PLAN



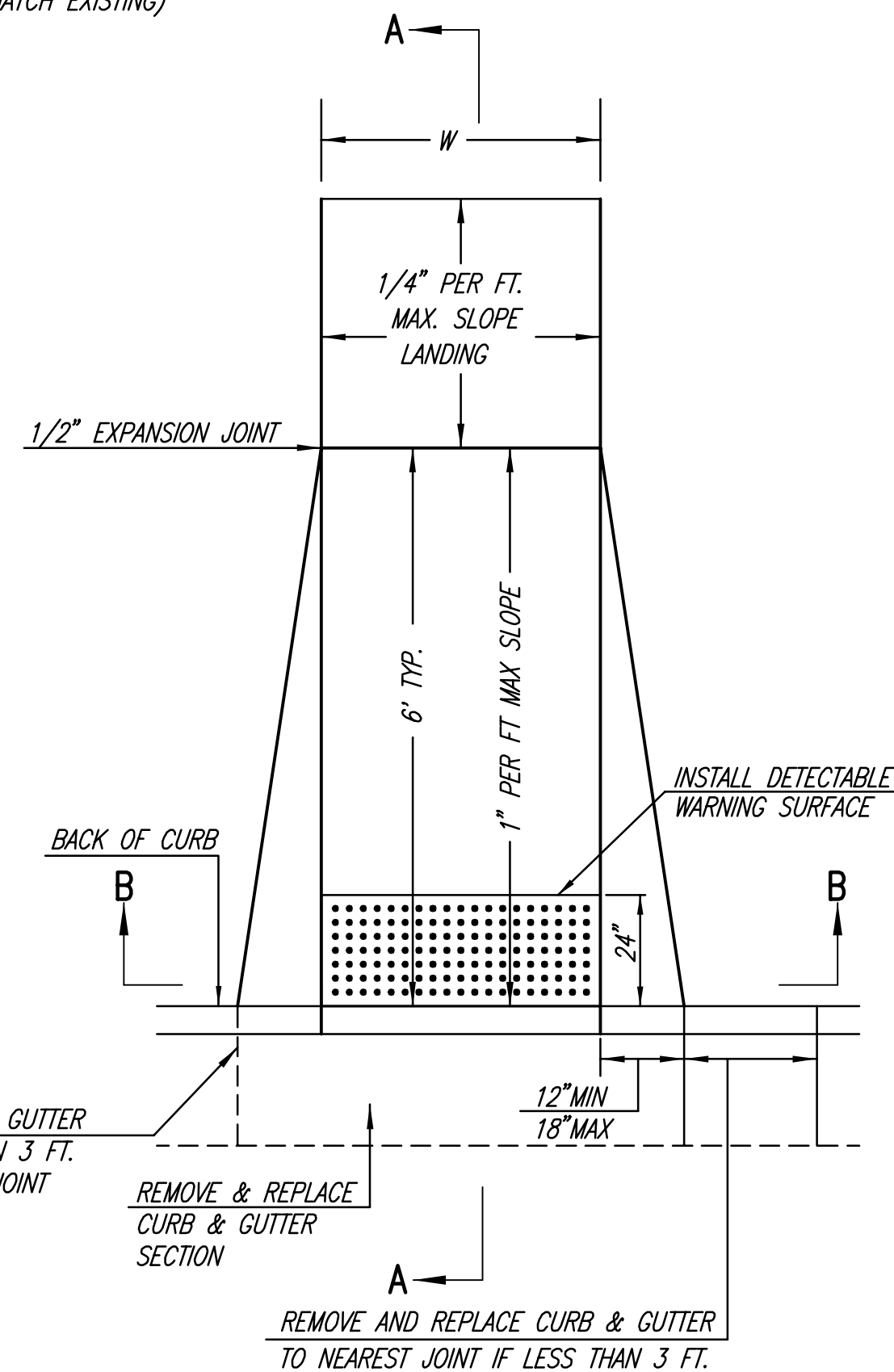
CONSTRUCTION JOINT



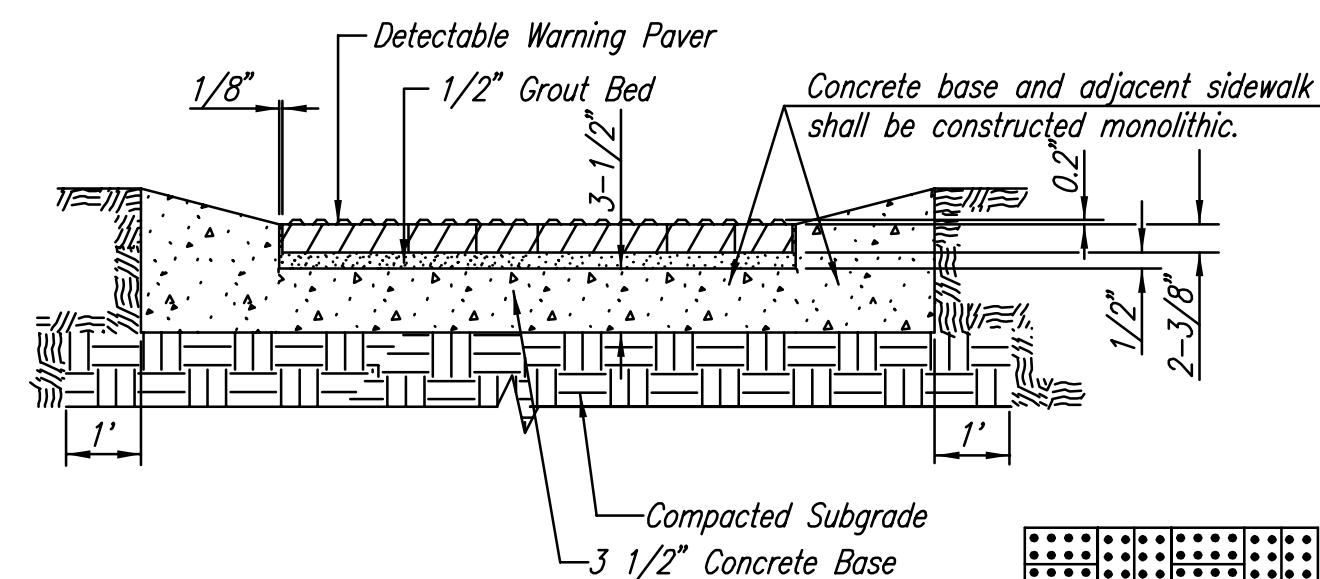
CONTRACTION JOINT

4" WALK DETAILS

W= 4'0" FOR STANDARD RAMP
W= 5'0" FOR RAMPS AT SCHOOL CROSSWALKS
(OR TO MATCH EXISTING)



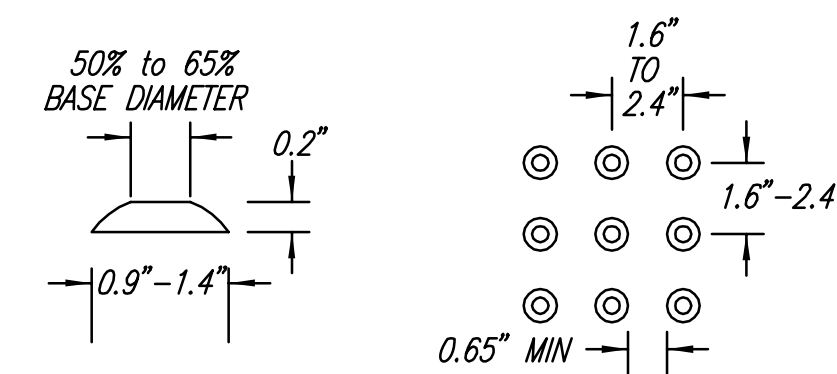
**(TYPE A)
STANDARD WHEELCHAIR RAMP
WITH DETECTABLE WARNING
CONSTRUCTION DETAIL FOR STREETS
WITH COMBINED CURB & GUTTER**



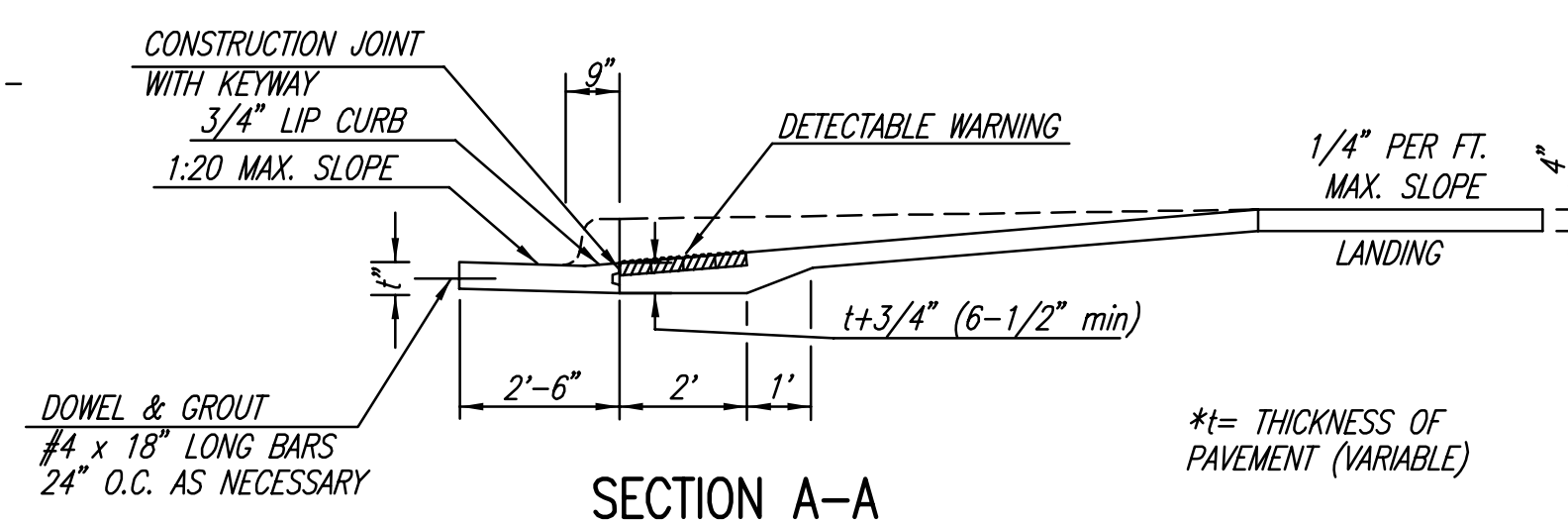
TYPICAL SECTION DETECTABLE WARNING PAVER

**NOTE: RAMPS TO COMPLY WITH LATEST ADAAG GUIDELINES.
PAVESTONE DETECTABLE WARNING PAVERS (OR AN APPROVED EQUAL) SHALL
BE USED IN ALL WHEELCHAIR RAMPS. THE RED PAVER SHALL BE INSTALLED USING
A BASKET WEAVE/PARQUET PATTERN. OTHER PATTERNS MAY BE USED WITH APPROVAL OF
ENGINEER. SAND FILL JOINTS. ALIGN DOMES IN THE DIRECTION OF PEDESTRIAN TRAVEL.**

SECTION B-B

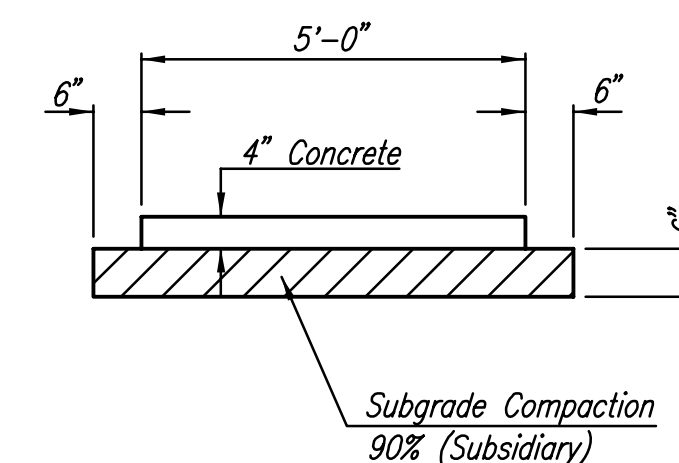


DOMES DETAIL



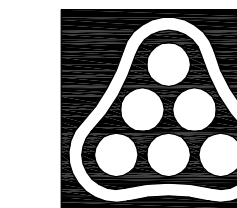
TYPICAL WHEELCHAIR RAMP DETAILS

AUGUST 4, 2003



TYPICAL SIDEWALK SECTION

Sowed: 06-01-2006 6:52:18 AM by BCL
 Plot: Scale: 1:10 06-05-2006 5:11:22 PM by BCL
 J:\SENTOUT\2004\04688\03\2006-06-05 to City of Wichita\DWG\11-MISC PAVING DETAILS



No.	Revision	By	Date
	OAK CREEK-PHASE 1 21ST ST. N. DECEL LANE		
MISCELLANEOUS PAVING DETAILS			
JAMES L. ARMOUR, P.E. - CITY ENGINEER CITY OF WICHITA PROJECT NO. 472-84206 Professional Engineering Consultants, P.A. 303 S. TOPEKA • WICHITA, KANSAS 67202 316-262-2691 • FAX 316-262-3003			
Designed by	BDB, BLB	Job No.	35-04688-003
Drawn by	BJS, JMU	Date	January 2005
			Sheet 11 of 28