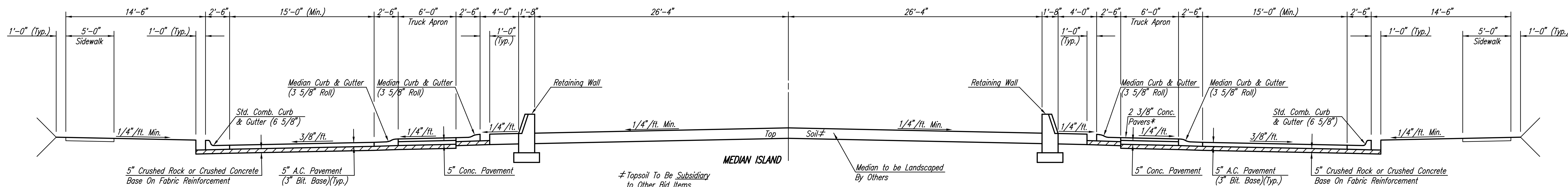
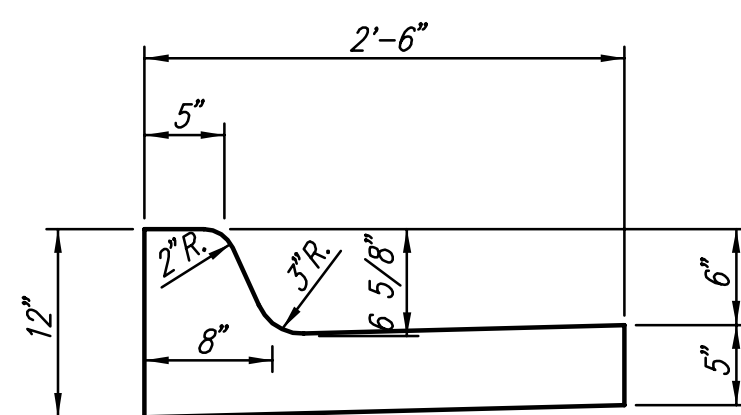


SECTION A-A  
STA. 20+00

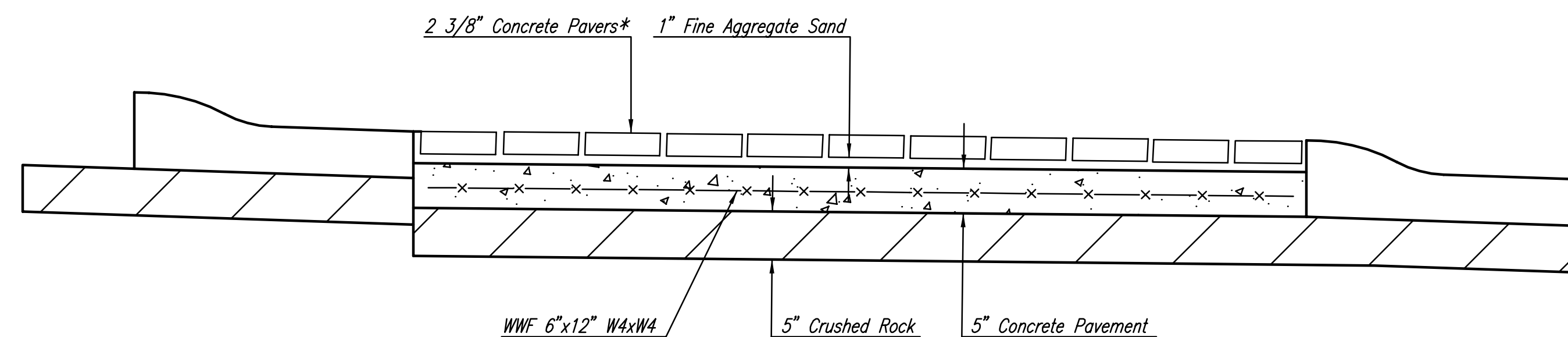


SECTION B-B  
STA. 34+00

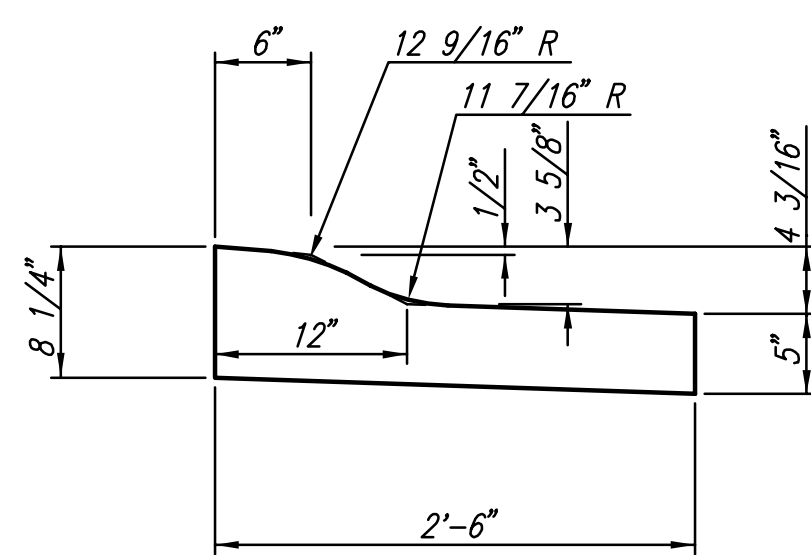
\* Note: See Sh. No. 14 for Concrete Paver Information.



STD. COMBINED CURB & GUTTER  
(6 5/8")



SECTION THRU 6'-0" TRUCK APRON



MEDIAN CURB & GUTTER  
(3 5/8" ROLL)

DSNR: BLB OPER: BJS SCALE: 1=5.00  
 C:\2004\04688\000\04688-000-C-ROUNDABOUT\_TYPSPEC 08-23-2005 09:07:26 am

No.	Revision	By	Date
	OAK CREEK - PHASE 1		
<b>ROUNDABOUT TYPICAL SECTIONS</b>			
JAMES L. ARMOUR, P.E. - CITY ENGINEER CITY OF WICHITA PROJECT NO. 472-84209			
<b>Professional Engineering Consultants, P.A.</b> 303 S. TOPEKA • WICHITA, KANSAS 67202 316-262-2691 • FAX 316-262-3003			
Designed by	BDB, BLB	Job No.	35-04688-000
Drawn by	BJS	Date	October 2004
			Sheet 19 of 86

