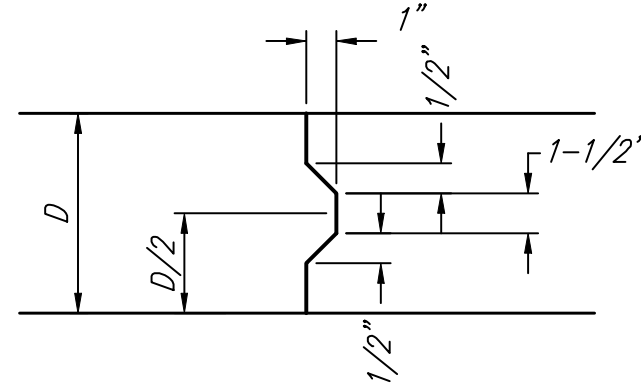
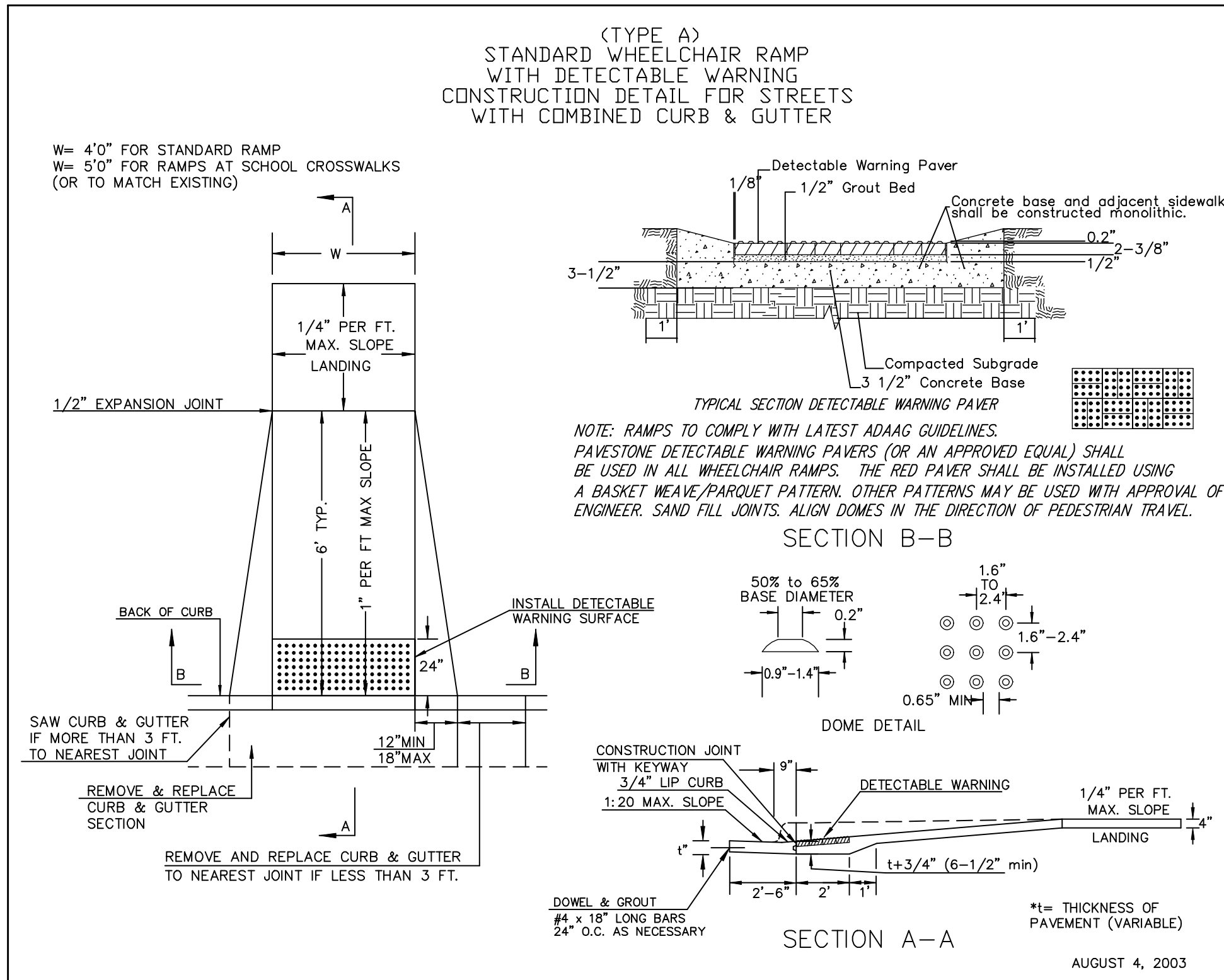


EXPANSION JOINT

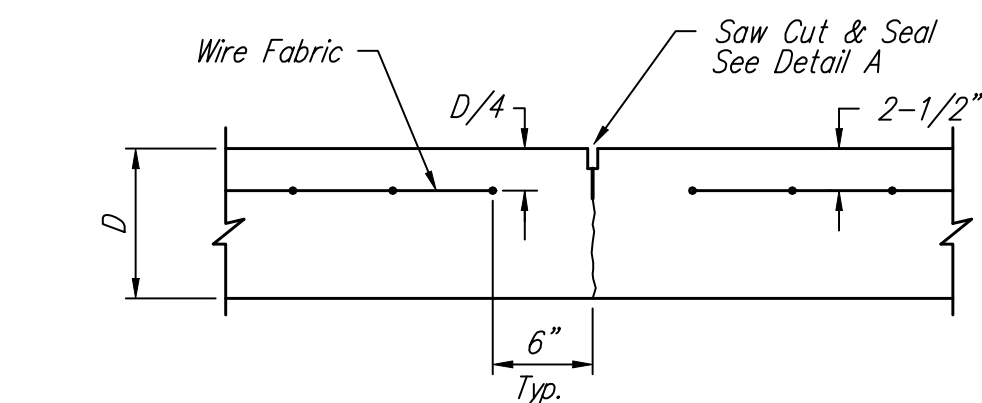
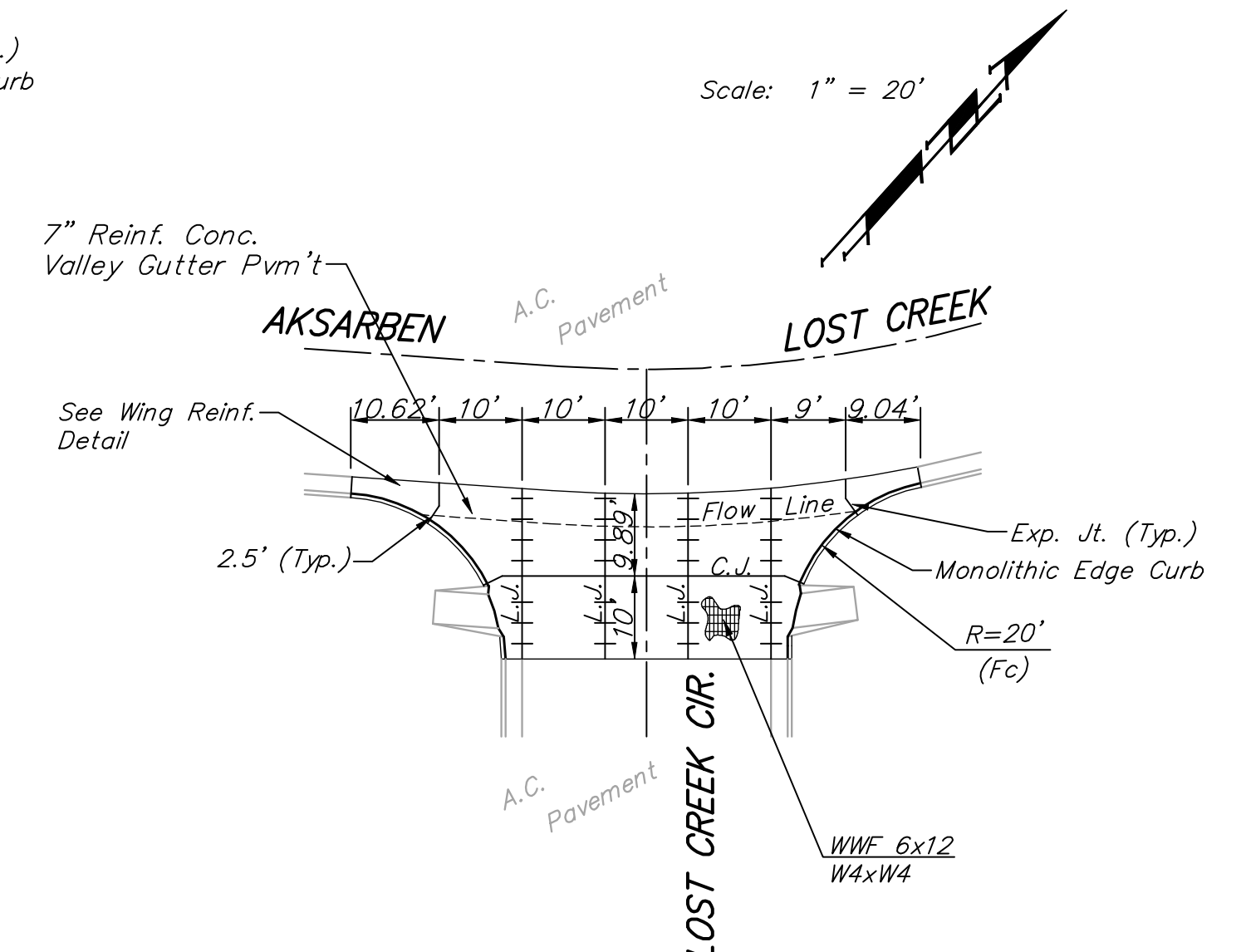
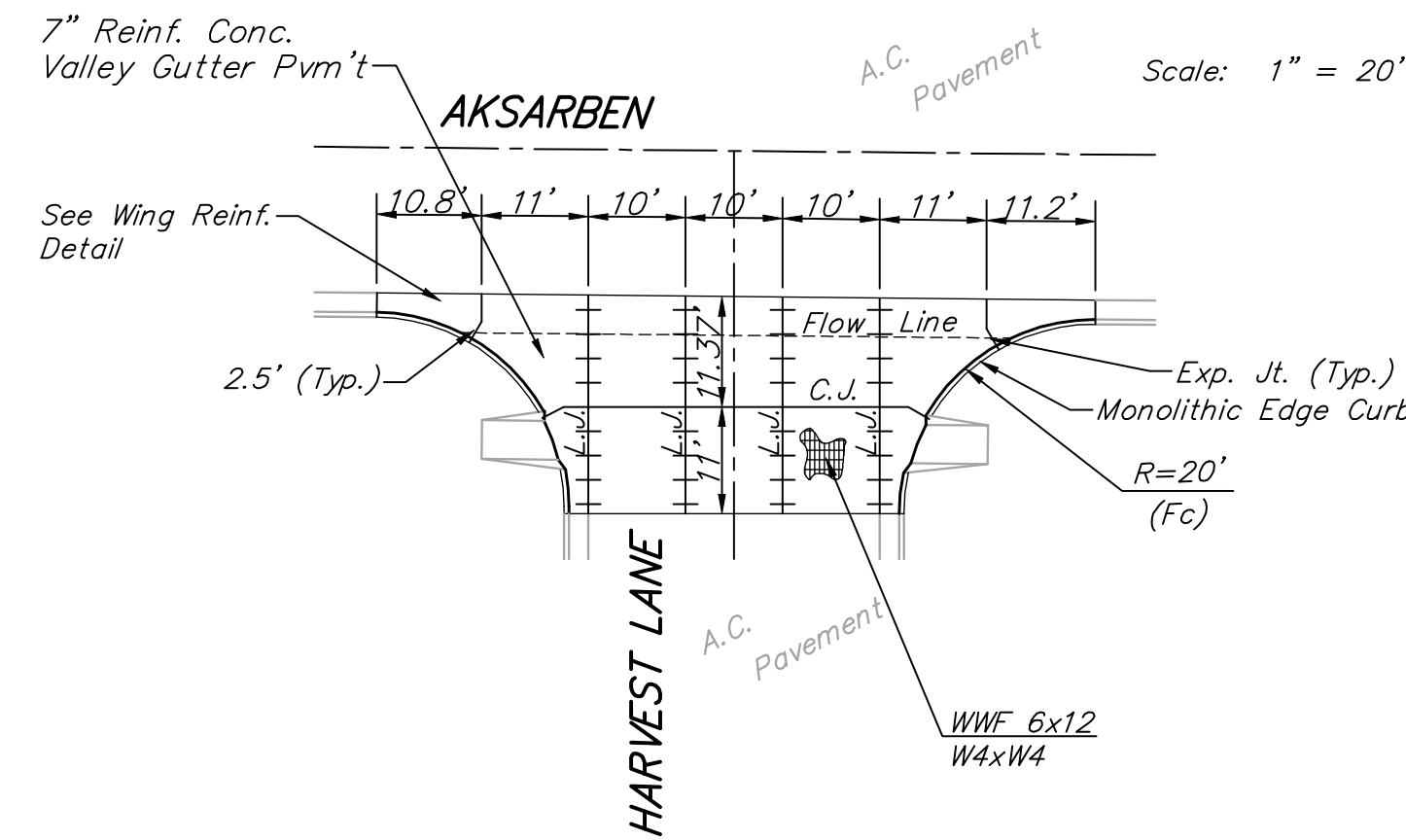
NOTE: Extra Thickness to be Subsidiary to Price of Square Yards Pavement



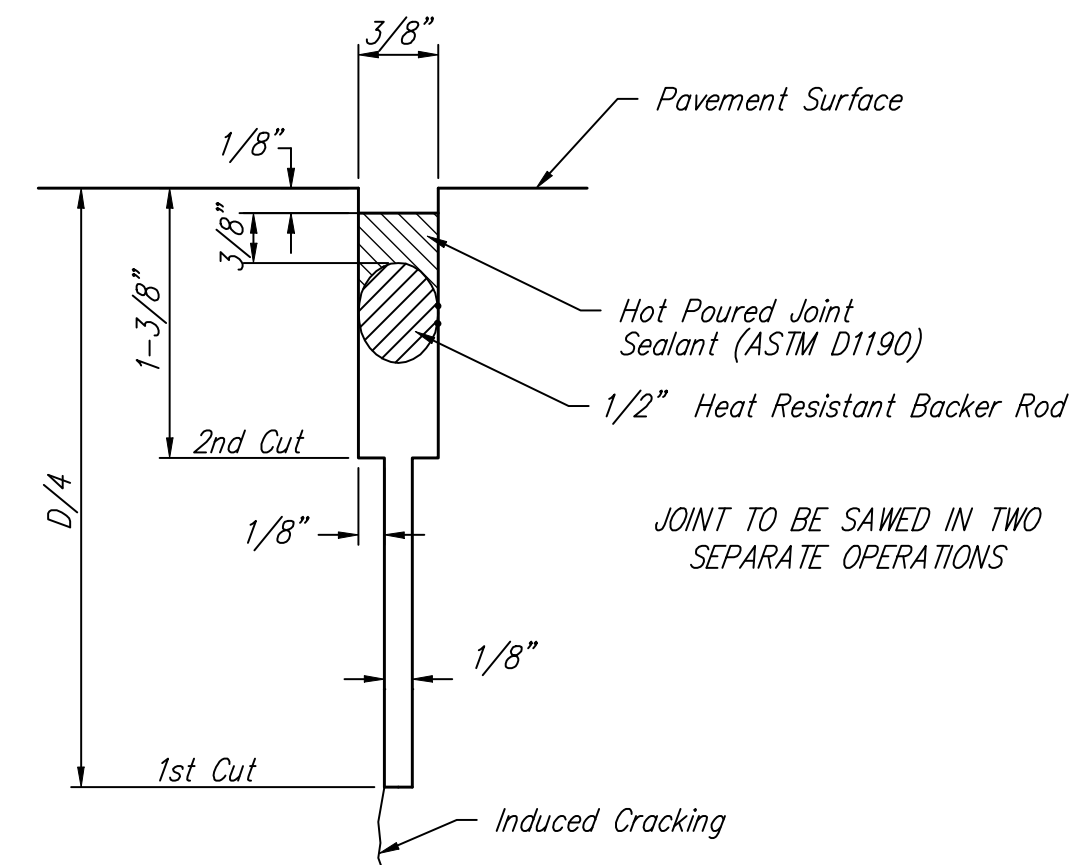
KEYWAY DETAIL



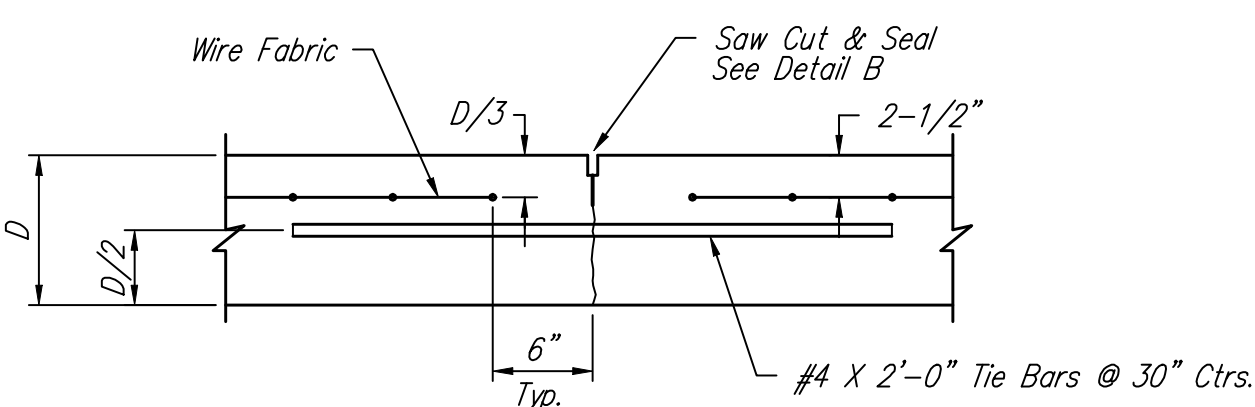
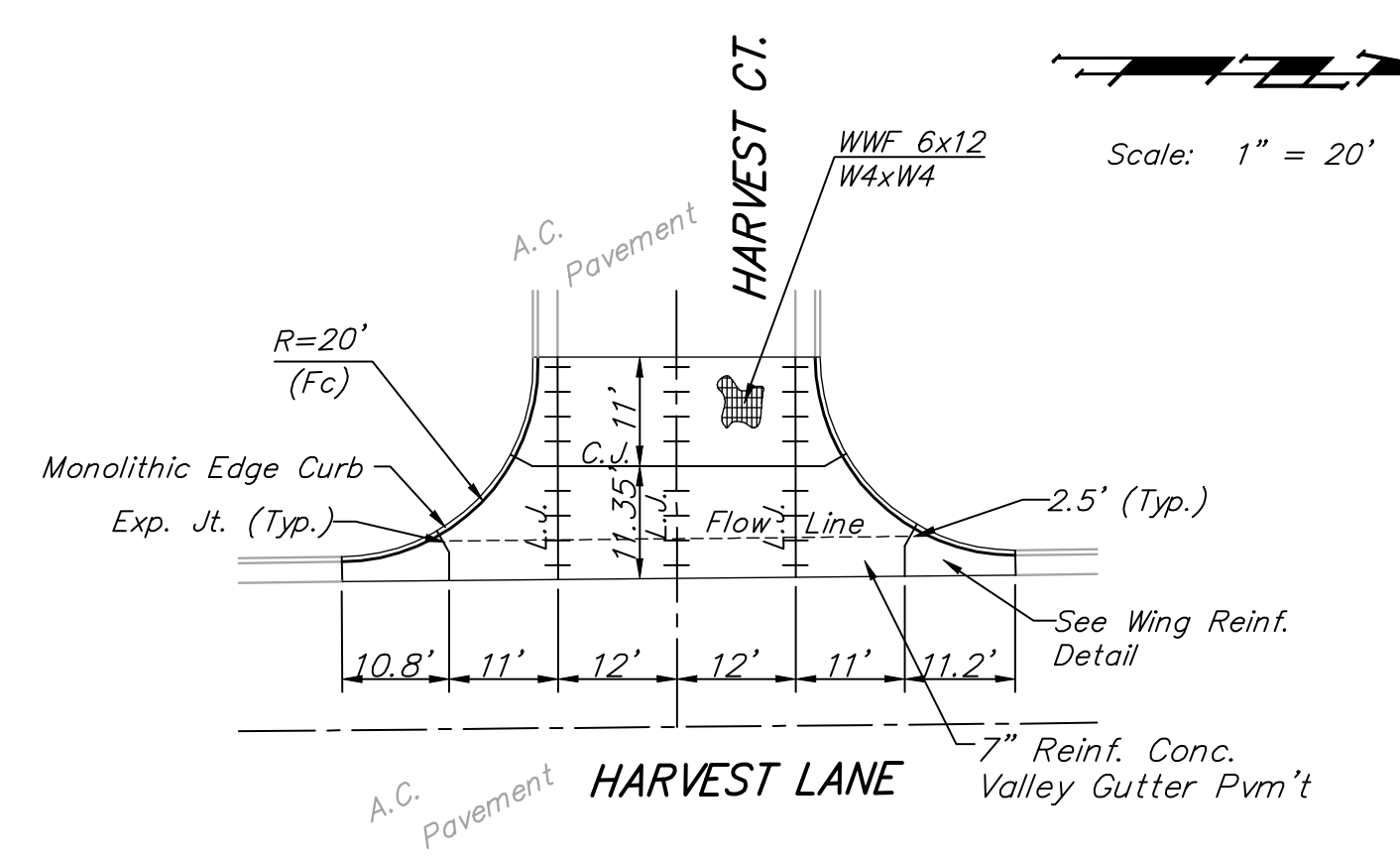
WHEELCHAIR RAMP DETAIL



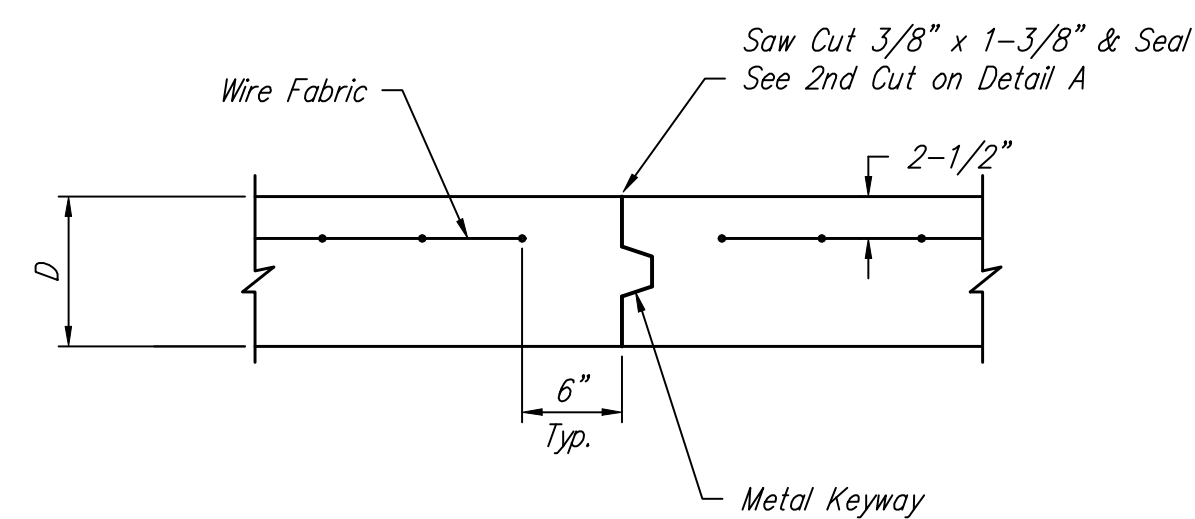
CONTRACTION JOINT DETAIL (C.J.)



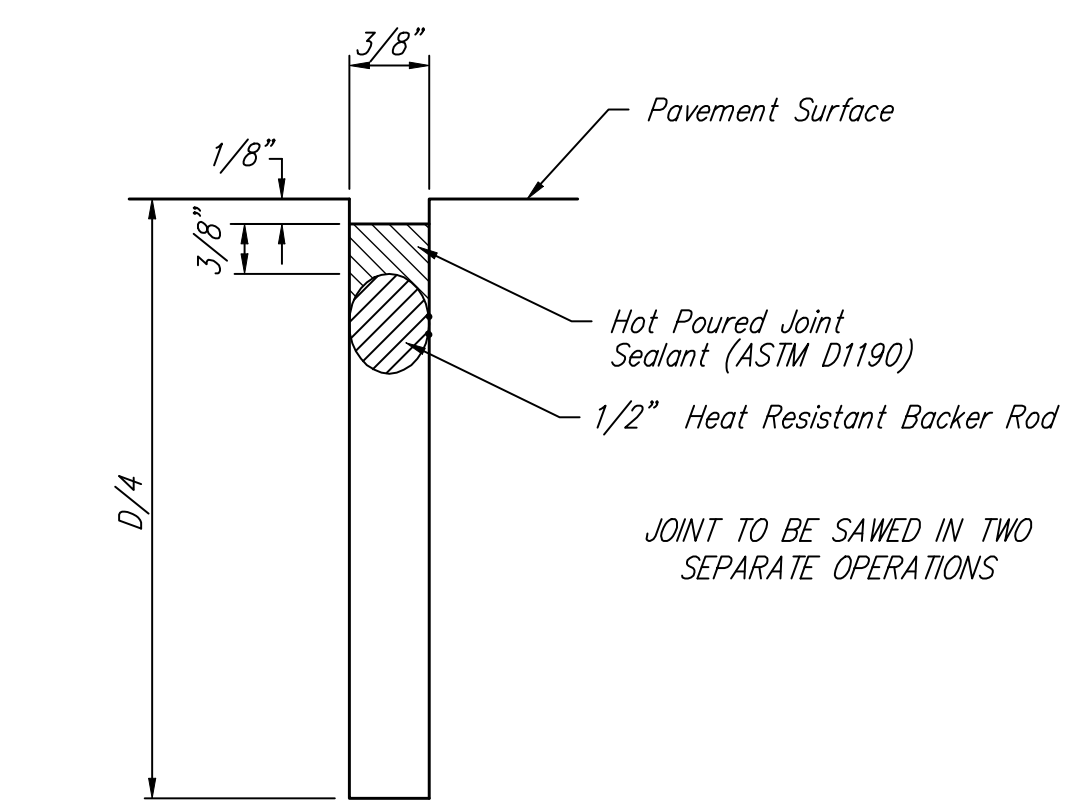
SAW JOINT DETAIL "A"



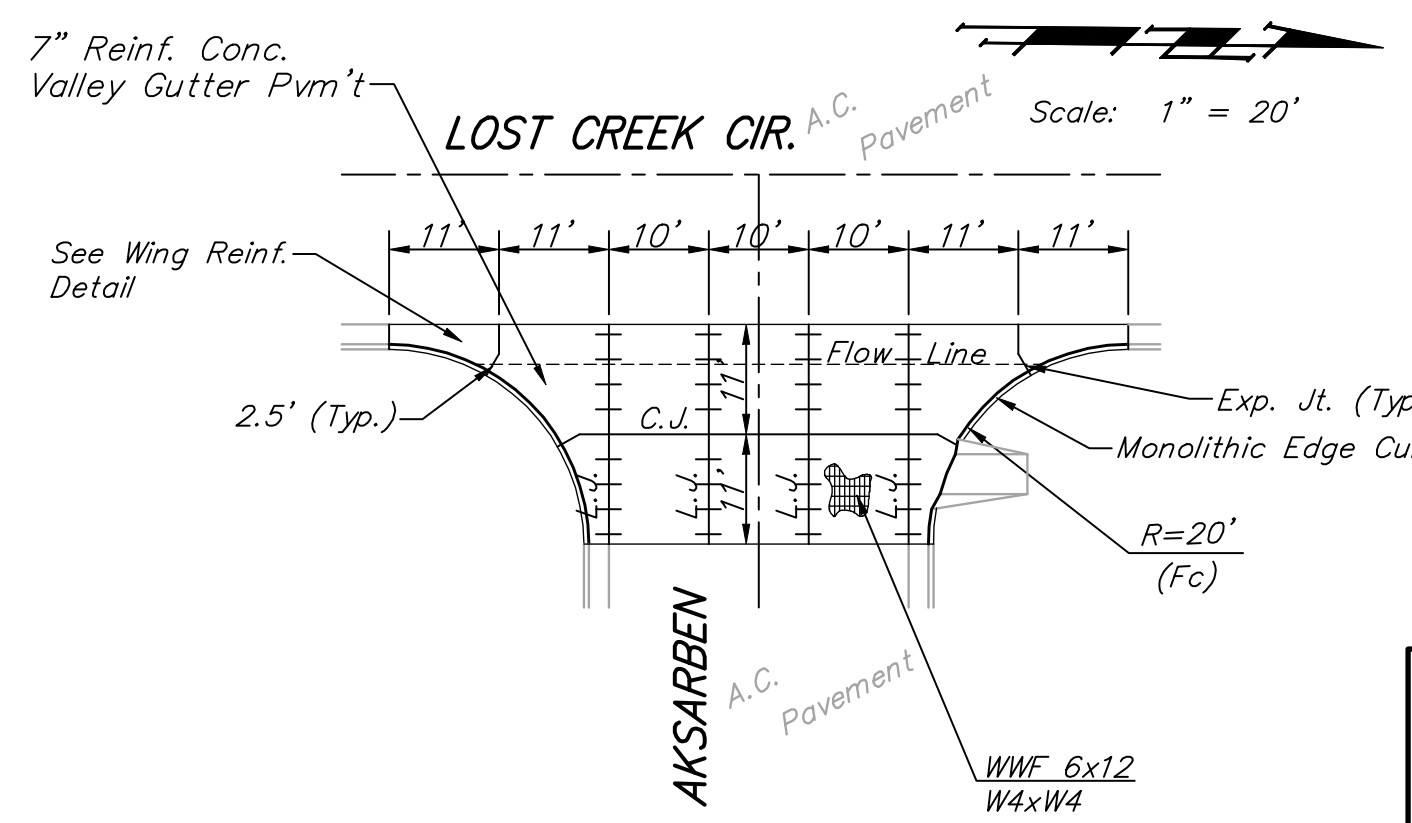
LONGITUDINAL JOINT DETAIL (L.J.)



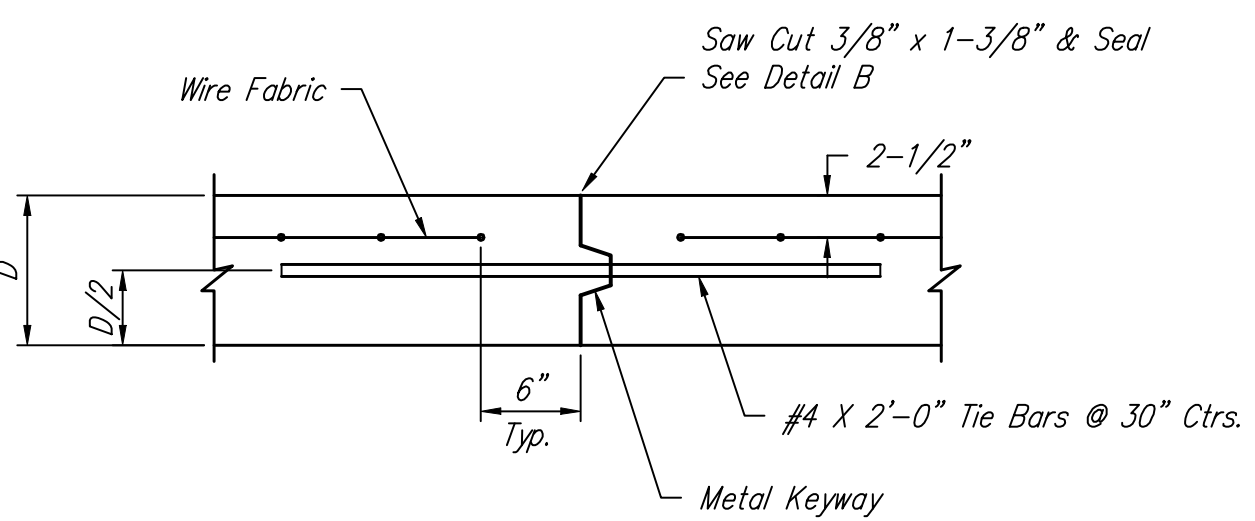
OPTIONAL CONTRACTION JOINT (CONSTRUCTION JOINT)



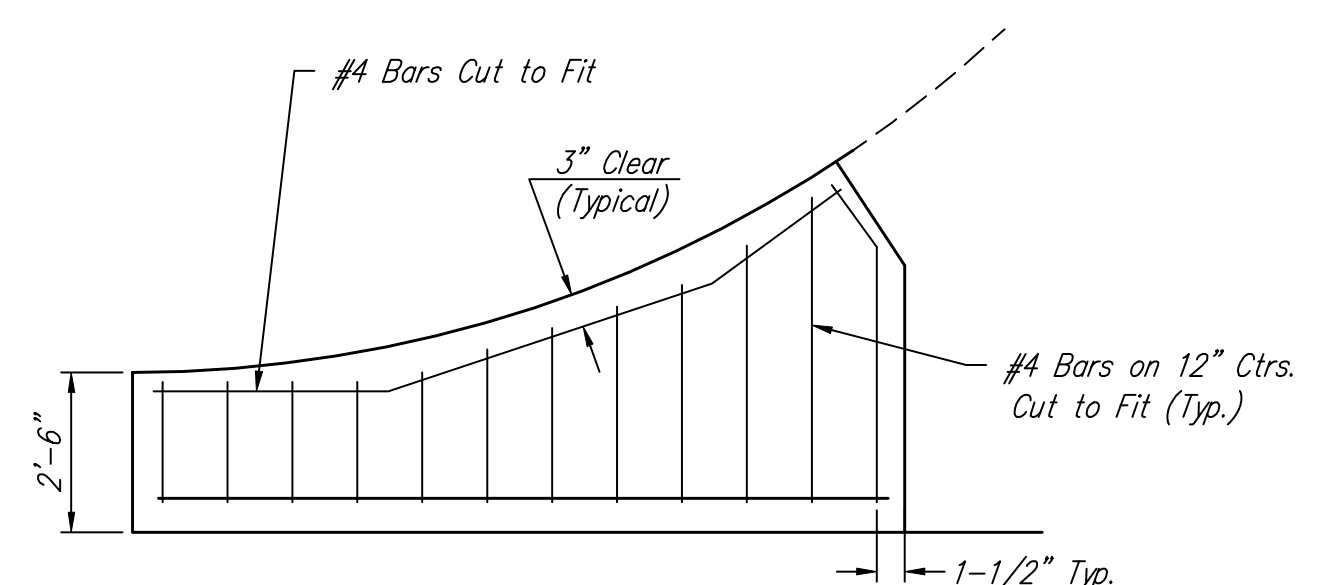
SAW JOINT DETAIL "B"



NOTE: 6" X 12" W4XW4 Wire Fabric Reinforcing Shall Be Placed So That The Wires With The 6" Spacing Will Run Parallel With The Longitudinal Joints.



OPTIONAL LONGITUDINAL JOINT DETAIL (L.J.) (CONSTRUCTION JOINT)



WING REINFORCING DETAIL

Baughman		Miscellaneous Pavement Details	
Baughman Company, P.A. 315 Ellis St. Wichita, KS 67211 P 316262-7271 F 316262-0149			
ENGINEERING SURVEYING PLANNING LANDSCAPE ARCHITECTURE			
PROJECT NUMBER 472-83671	DESIGN STAFF	DRAWN STAFF	DATE
REVISIONS:	APPROVED	DATE	4/06/05
SCALE NONE		SHEET	
		5 OF 30	
CopperGate/Vg/estil		04-06-E956	