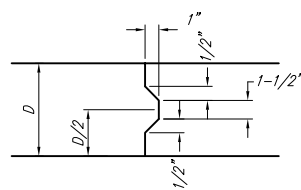
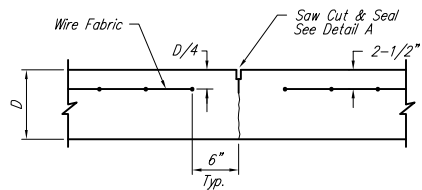


**EXPANSION JOINT**

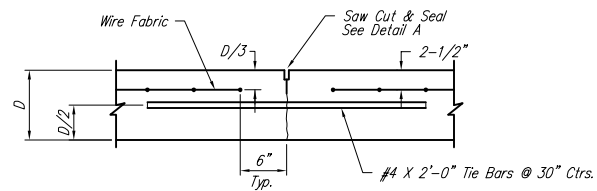
NOTE: Extra Thickness to be Subsidiary to Price of Square Yards Pavement



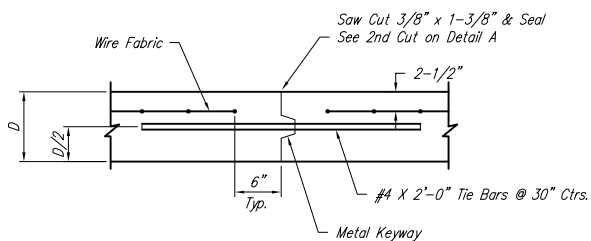
**KEYWAY DETAIL**



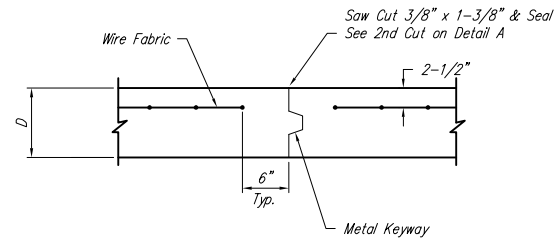
**CONTRACTION JOINT DETAIL (C.J.)**



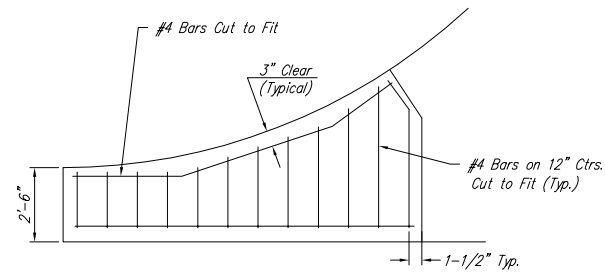
**LONGITUDINAL JOINT DETAIL (L.J.)**



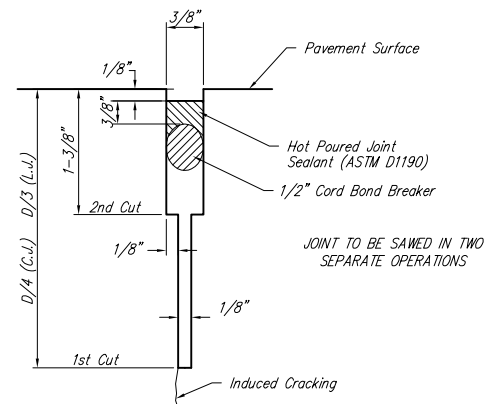
**OPTIONAL LONGITUDINAL JOINT DETAIL (L.J.)**



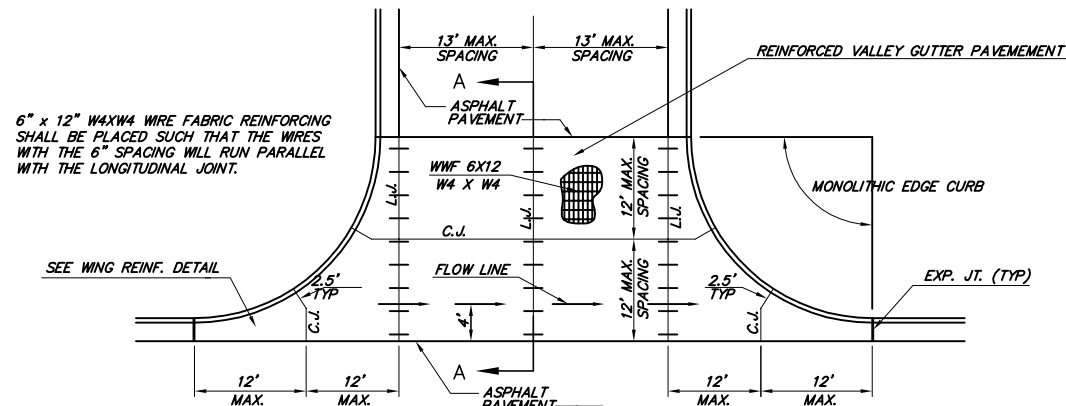
**OPTIONAL CONTRACTION JOINT**



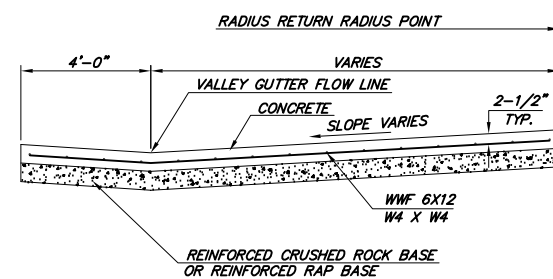
**WING REINFORCING DETAIL**



**SAW JOINT DETAIL**

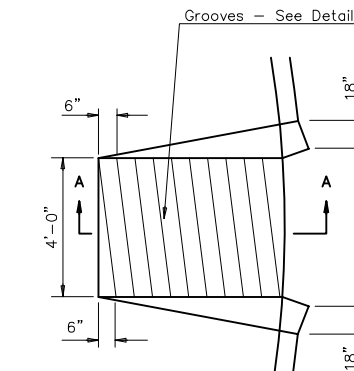


**PLAN**

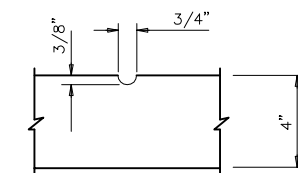


**SECTION A-A**

**REINFORCED VALLEY GUTTER DETAIL**

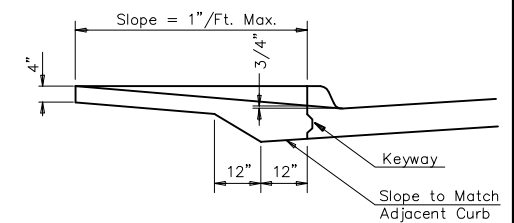


**WHEELCHAIR RAMP PLAN VIEW**

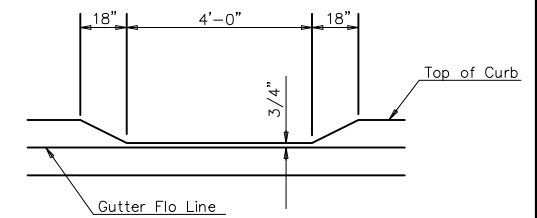


**GROOVE DETAIL**

**WHEELCHAIR RAMP DETAIL**



**SECTION A-A**



**DEPRESSED CURB DETAIL**

<p><b>THE CITY OF WICHITA</b></p>	<b>VALLEY GUTTER DETAILS</b>	
	<b>WHEELCHAIR RAMP DETAILS</b>	
	M. E. LINDEBAK P.E. - CITY ENGINEER	
	PROJECT NUMBER 472-83703	OCA # 765791
	DATE MAR 96	SHEET 4 OF 69