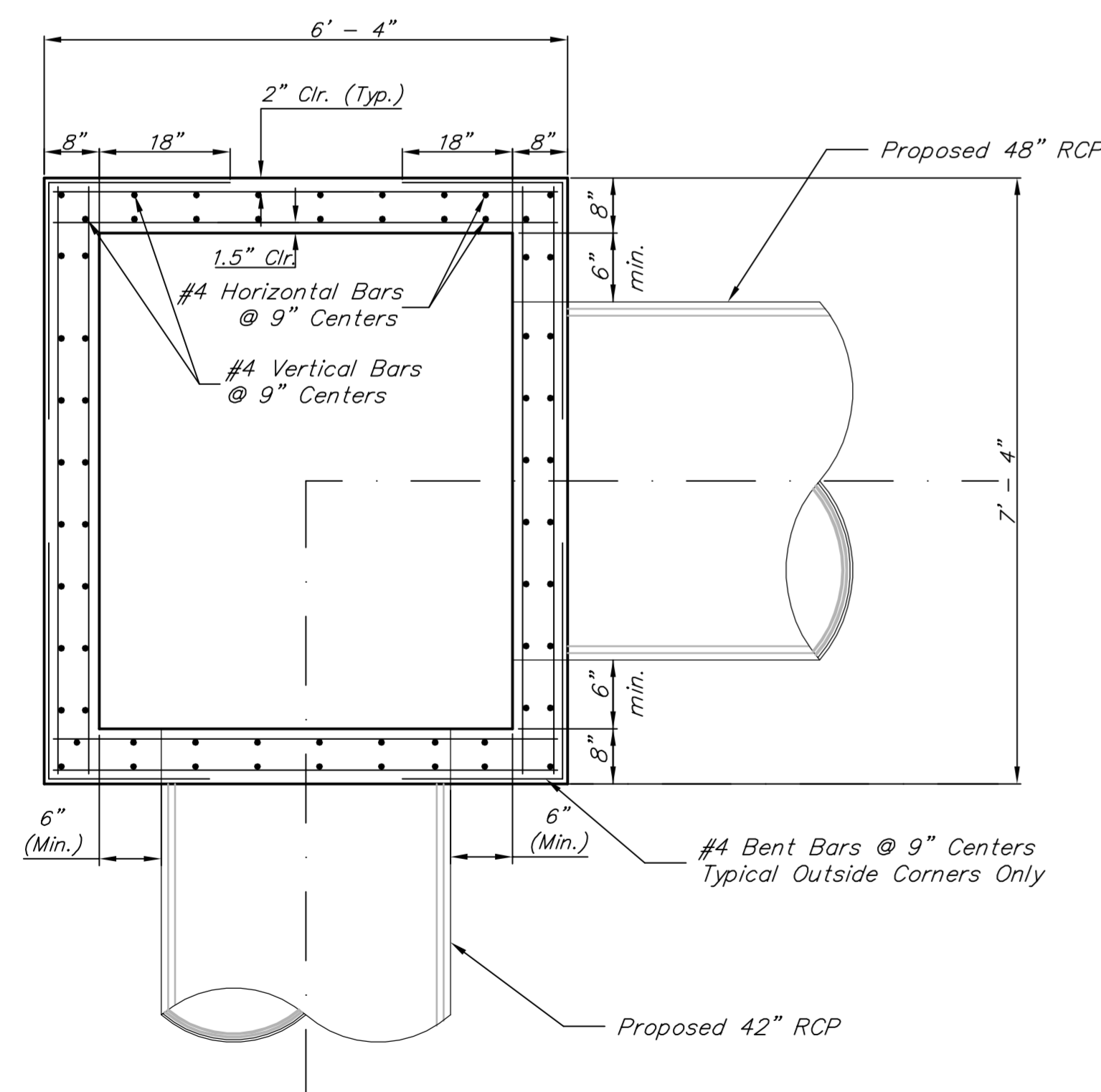
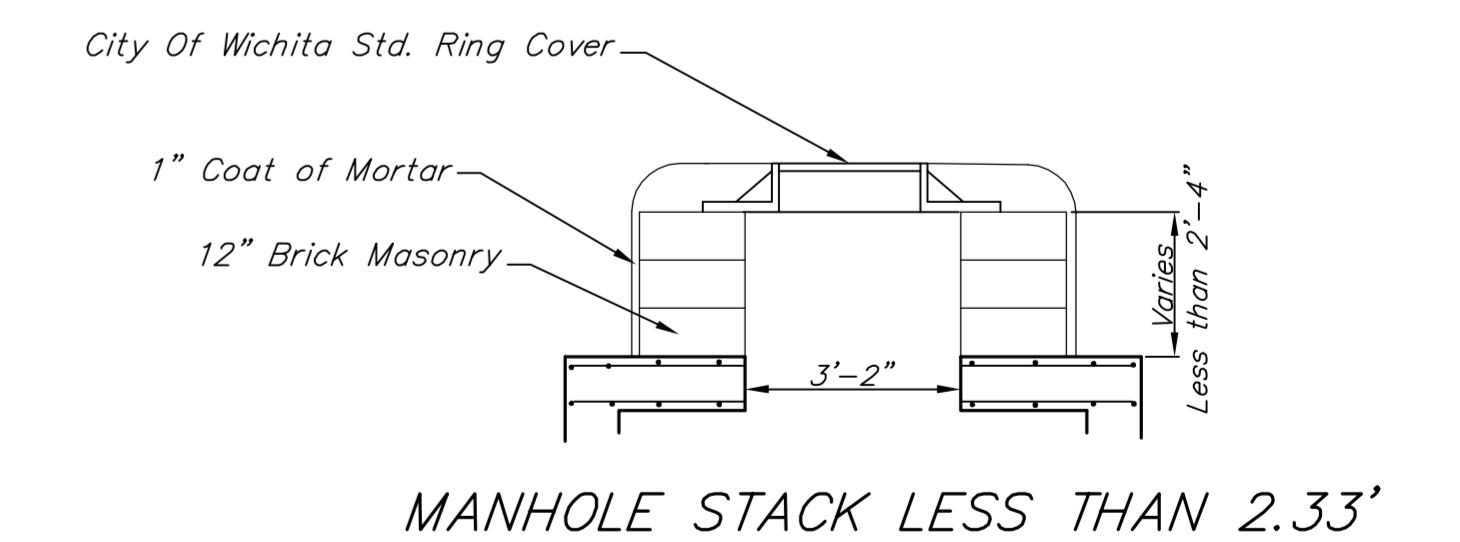
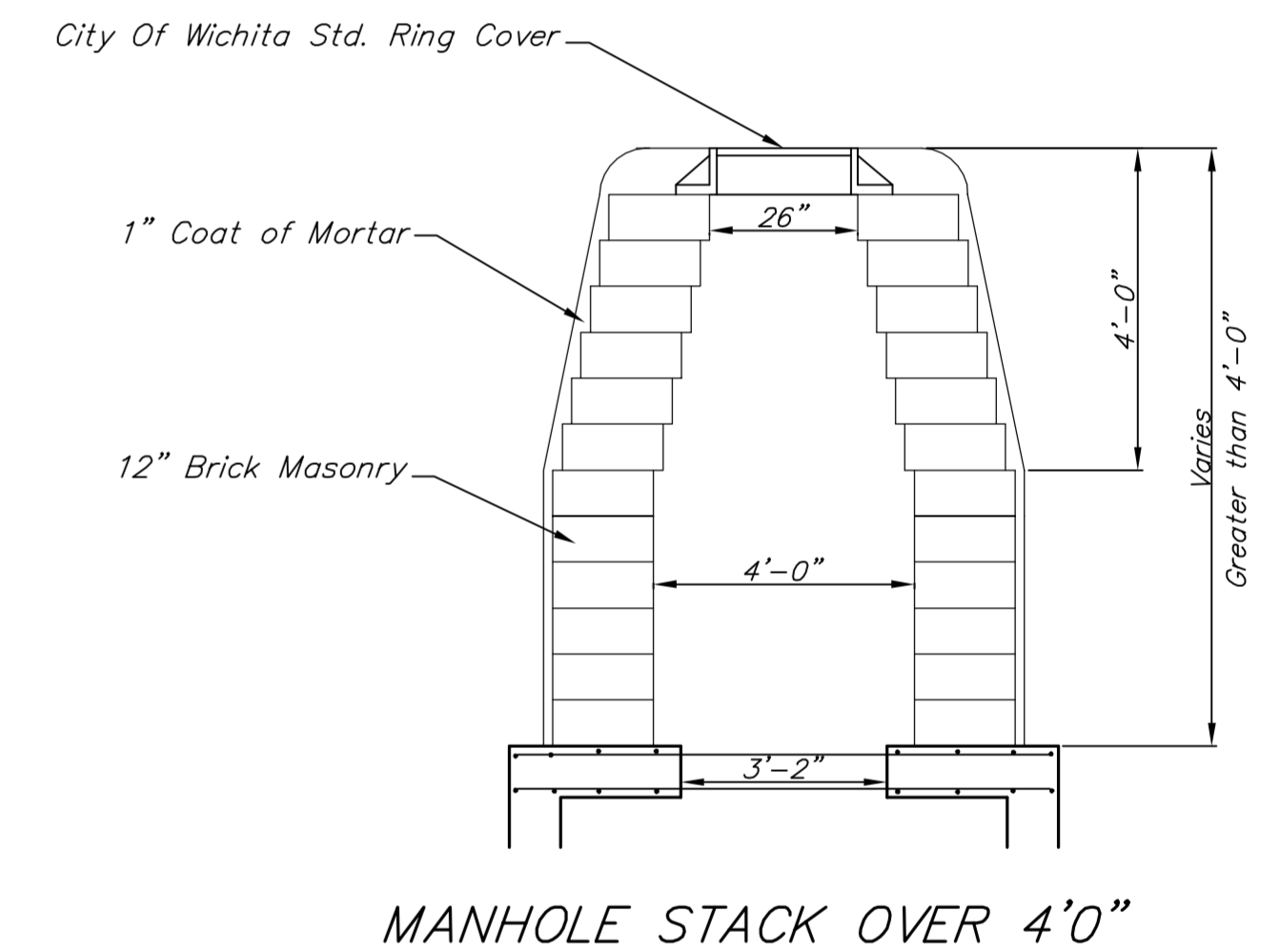
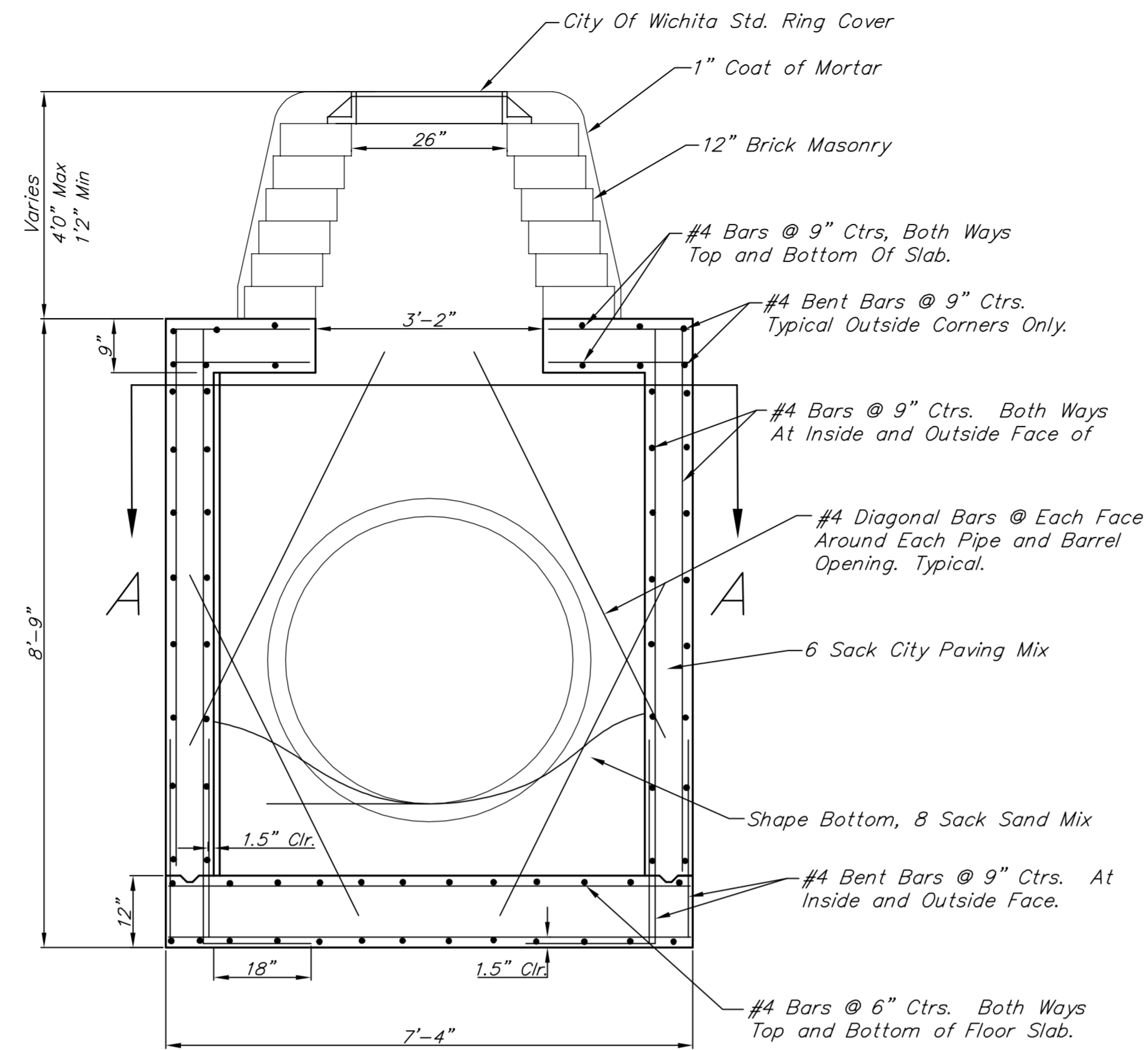


GENERAL NOTES:

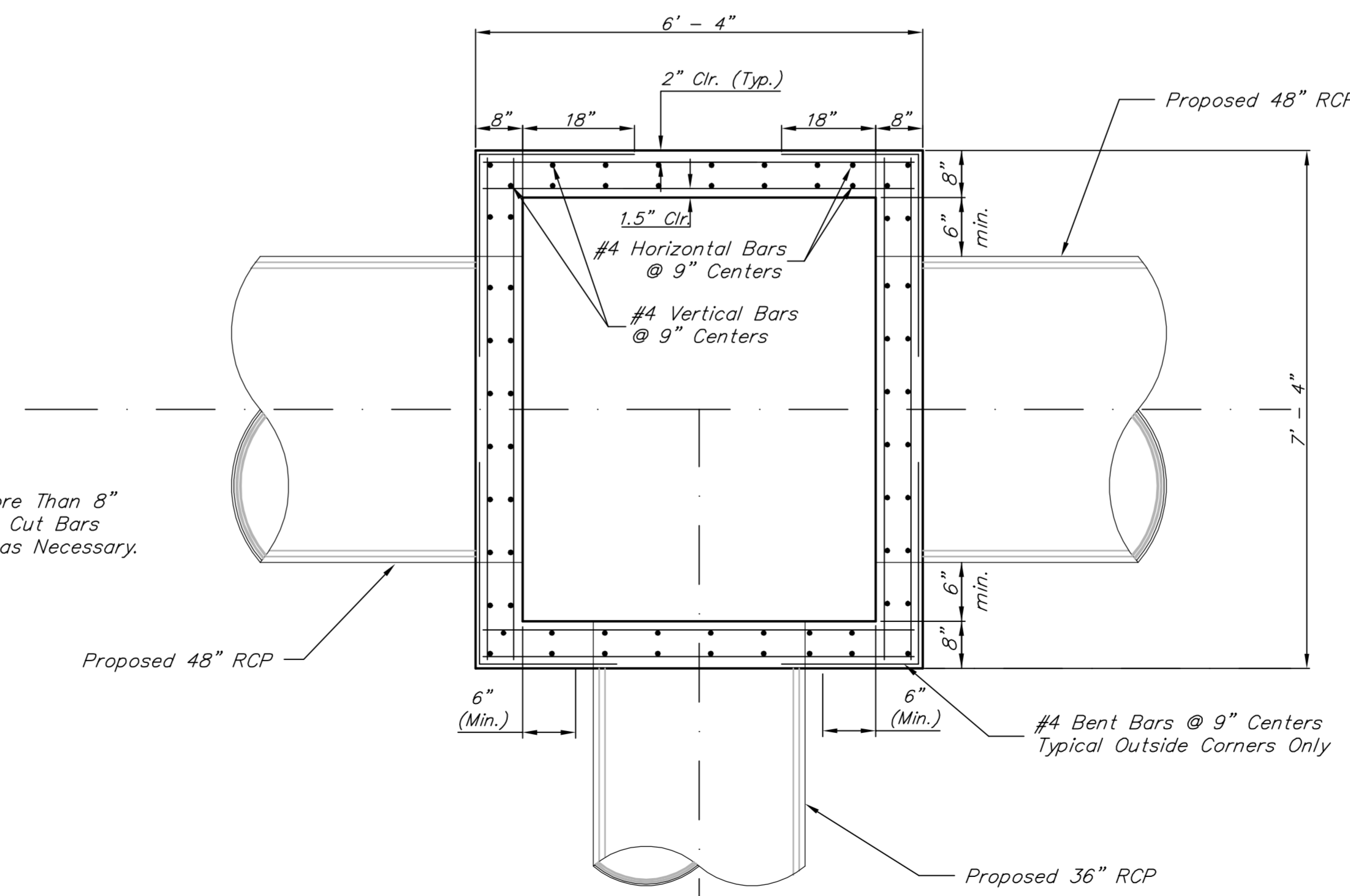
1. MORTAR USED IN MASONRY CONSTRUCTION SHALL CONTAIN 8 SACKS OF CEMENT PER CUBIC YARD. CONCRETE USED IN MANHOLE WALLS AND BASES SHALL CONFORM TO THE REQUIREMENTS FOR CONCRETE PAVEMENT CONSTRUCTION AS SPECIFIED IN THE CITY STANDARD PAVING SPECIFICATIONS, USING CITY CONCRETE PAVEMENT MIX WITHOUT AIR ENTRAINING ADMIXTURE. MORTAR SHALL BE PLACED AROUND THE MANHOLE RING AS SHOWN ON THE DRAWINGS WHEN MANHOLES ARE CONSTRUCTED IN UNPAVED AREAS. COMPLETED MANHOLE SHALL BE WITHOUT LEAKS AND WATER TIGHT.
2. THE FLOORS OF ALL MANHOLES SHALL BE SHAPED WITH FLOW CHANNELS SUCH THAT THE MANHOLES WILL BE SELF-CLEANING. USING 8-SACK SAND MIX CONCRETE. FLOW CHANNELS SHALL BE FORMED TO MATCH THE BOTTOM HALVES OF THE INFLOWING PIPES AND THE OUTFLOWING PIPE. MANHOLE FLOORS SHALL HAVE SLOPES OF 3 INCHES PER FOOT IN THE AREAS OUTSIDE OF THE FLOW CHANNELS SLOPED TOWARD THE FLOW CHANNELS.
3. MANHOLE COVER CASTINGS AND MANHOLE FRAME CASTINGS SHALL CONFORM TO THE REQUIREMENTS AS INDICATED IN THE STANDARD SPECIFICATIONS AND AS SHOWN IN THE STANDARD DETAIL DRAWING.
4. THE ENDS OF ALL PIPES IN MANHOLES SHALL BE CUT OFF FLUSH WITH THE INSIDE FACE OF MANHOLE WALL.

REINFORCED CONCRETE MANHOLE
 Sta. 13+42.07, SWS Line 4
 Sta. 20+22.11, SWS Line 4
 (Looking North)



SECTION A-A
 Sta. 13+42.07, SWS Line 4

NOTE:
 Bend Bars Not More Than 8"
 to Clear Pipes, or Cut Bars
 2" Clear of Pipe, as Necessary.



SECTION A-A
 Sta. 20+22.11, SWS Line 4

Drawing File: E:\eng\Old Town Drainage Ph 2\Details\RCMHDET.dwg

Design: STAFF
 Drawn: STAFF
 Approved: JFB
 Scale: None

Project No. 0610E682 CITY OF WICHITA, KANSAS
STANDARD DETAILS FOR REINFORCED CONCRETE MANHOLES
 DOUGLAS AVENUE DRAINAGE OUTFALL PROJECT - PHASE 2

Baughman Company, P.A.
 315 Ellis St. Wichita, KS 67211 P 316-262-7171 F 316-262-0149
 Baughman ENGINEERING | SURVEYING | PLANNING | LANDSCAPE ARCHITECTURE

February 2008
 SHEET 25 OF 54