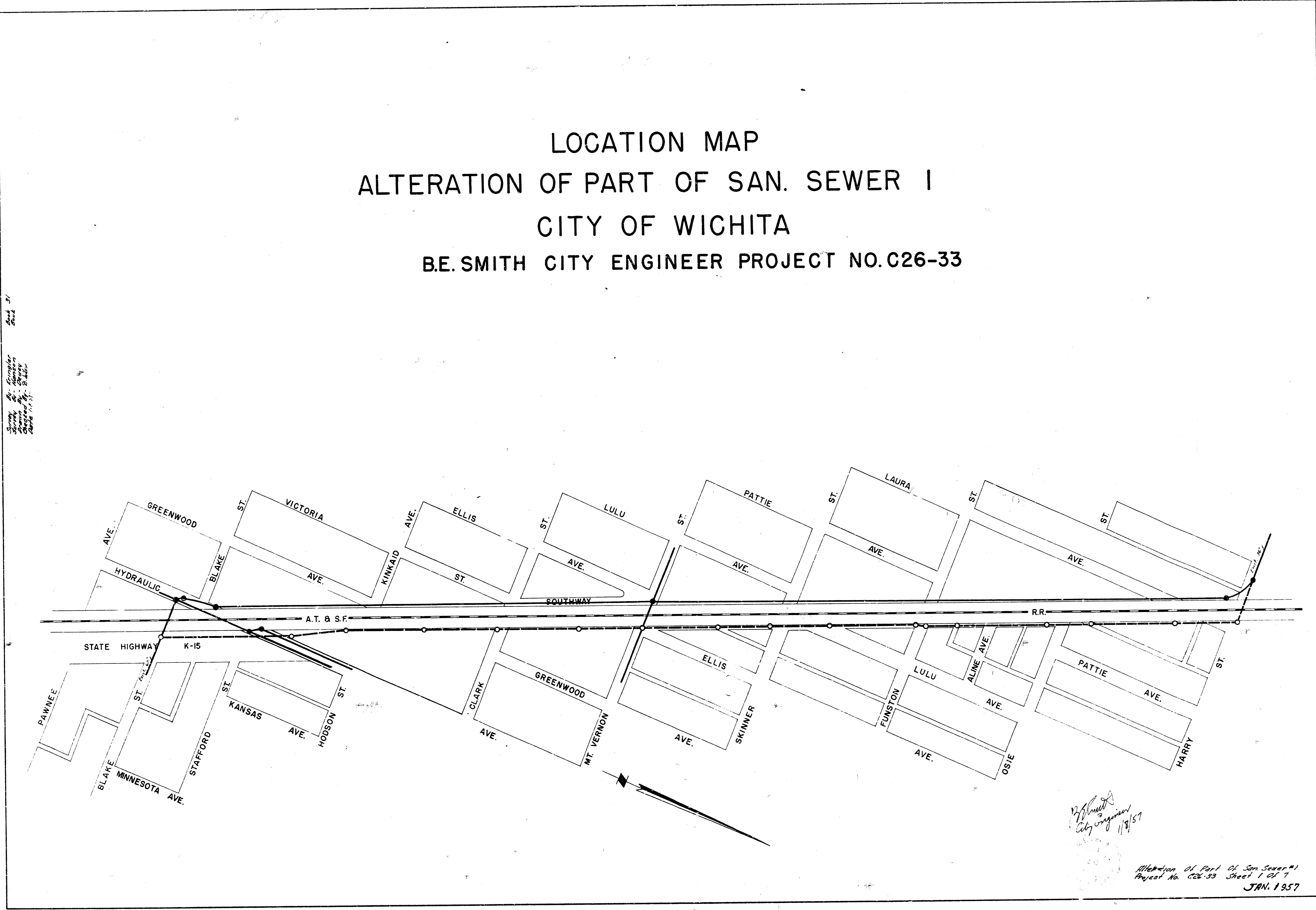


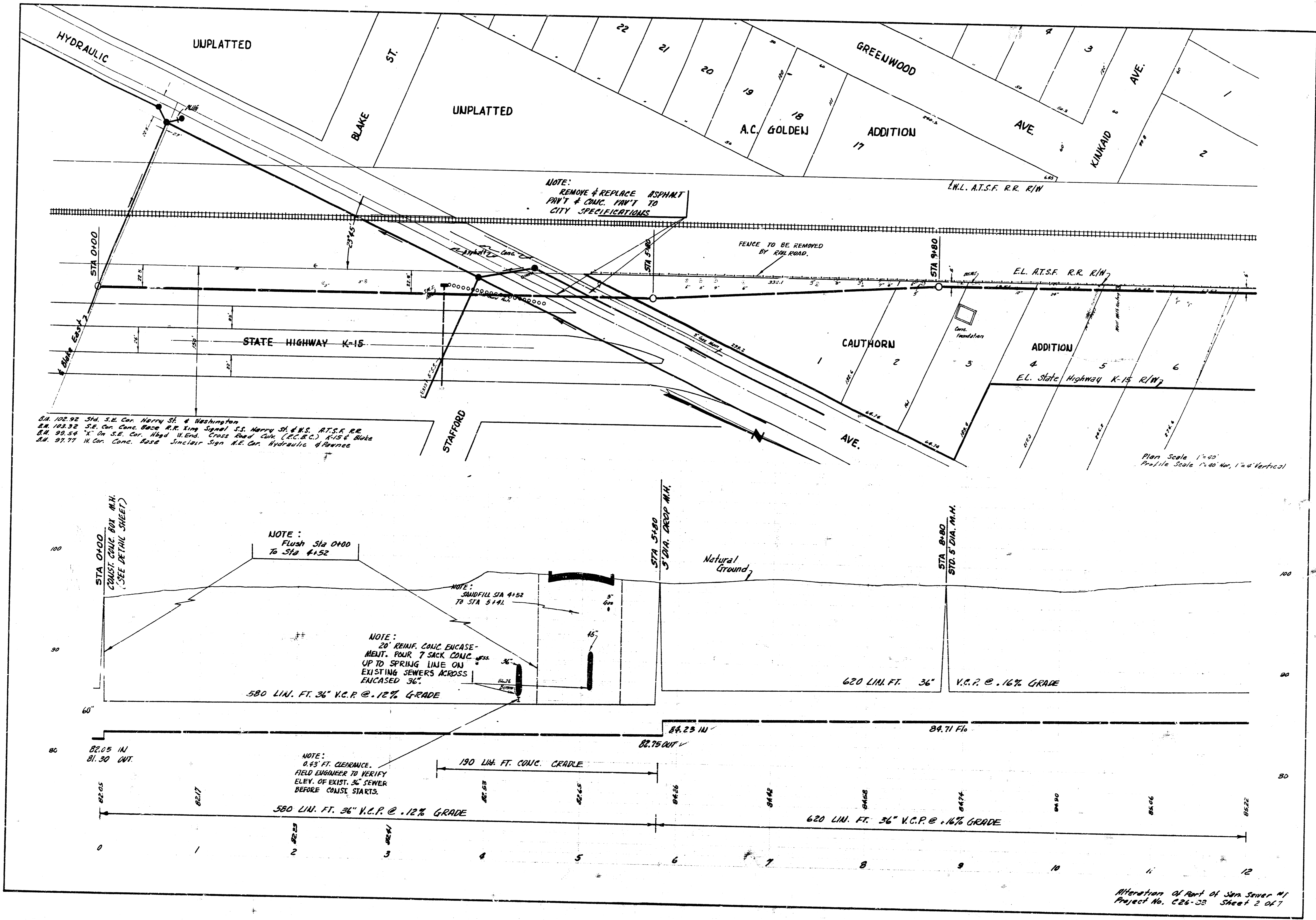
LOCATION MAP
ALTERATION OF PART OF SAN. SEWER 1
CITY OF WICHITA
B.E. SMITH CITY ENGINEER PROJECT NO. C26-33

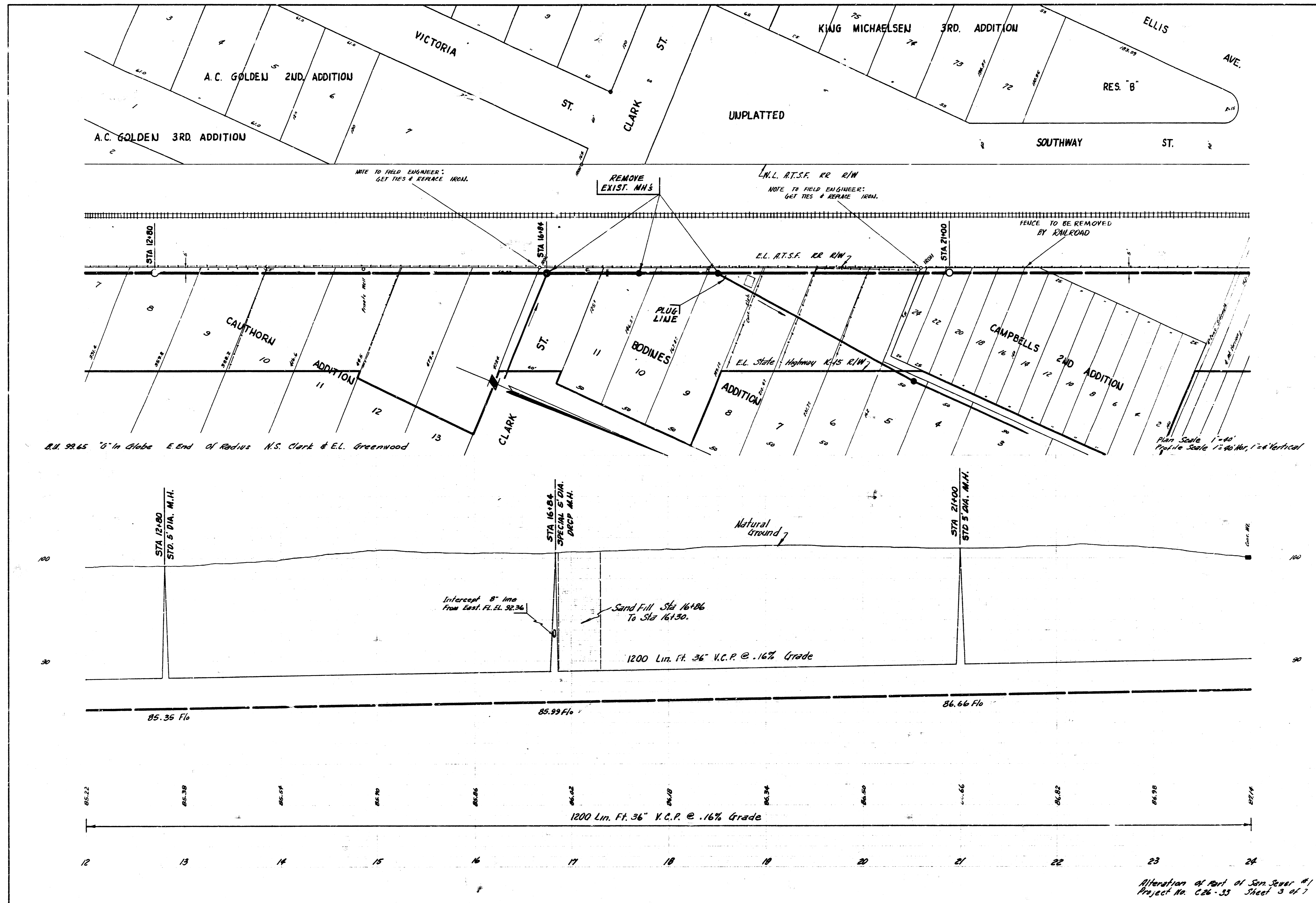
Scale
B. E. Smith
City Engineer
Wichita, Kansas
June 1, 1957

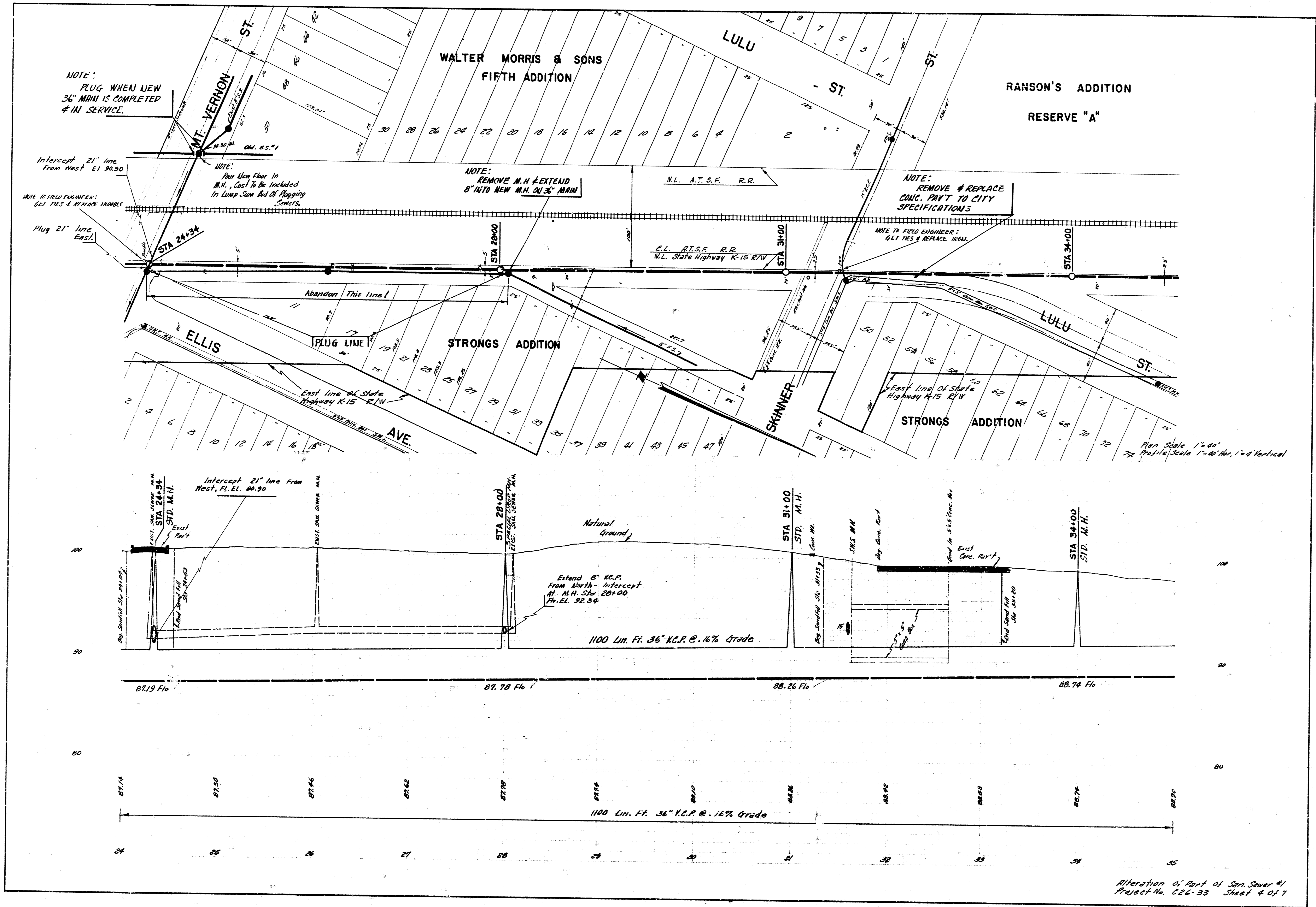


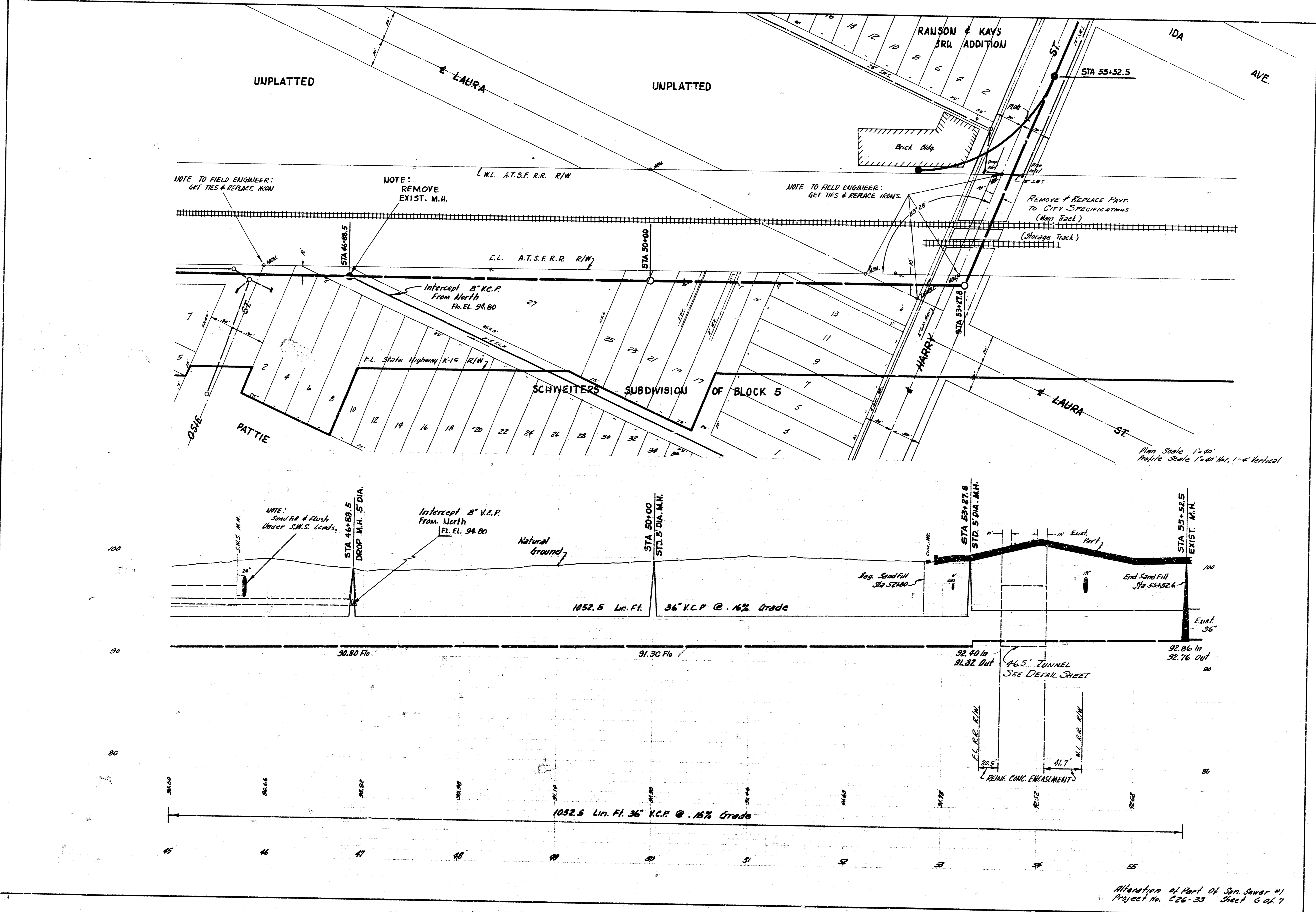
B. E. Smith
City Engineer
1/19/57

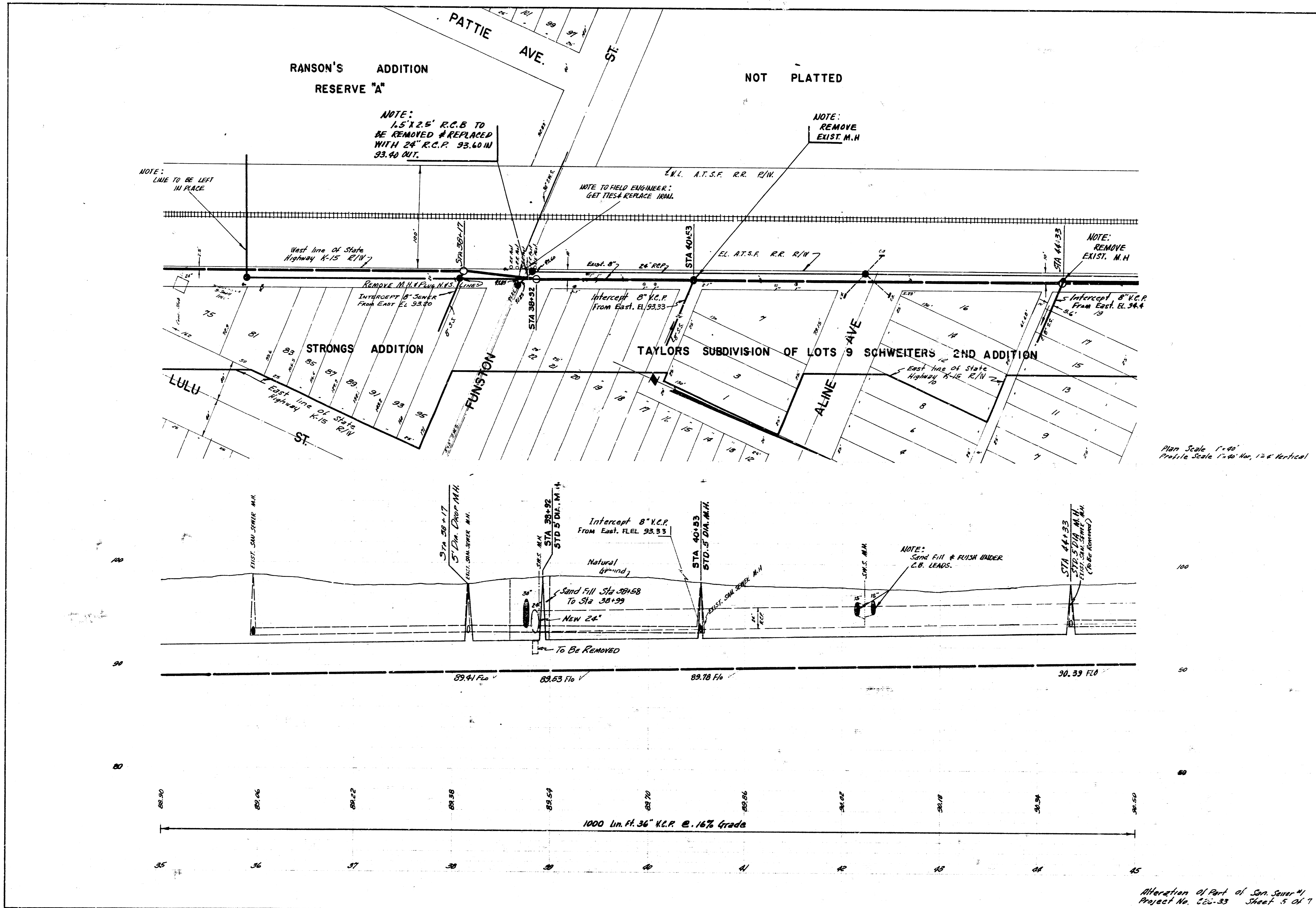
Alteration of Part of San Sewer #1
Project No. C26-33 Sheet 1 of 7
JRN. 1957

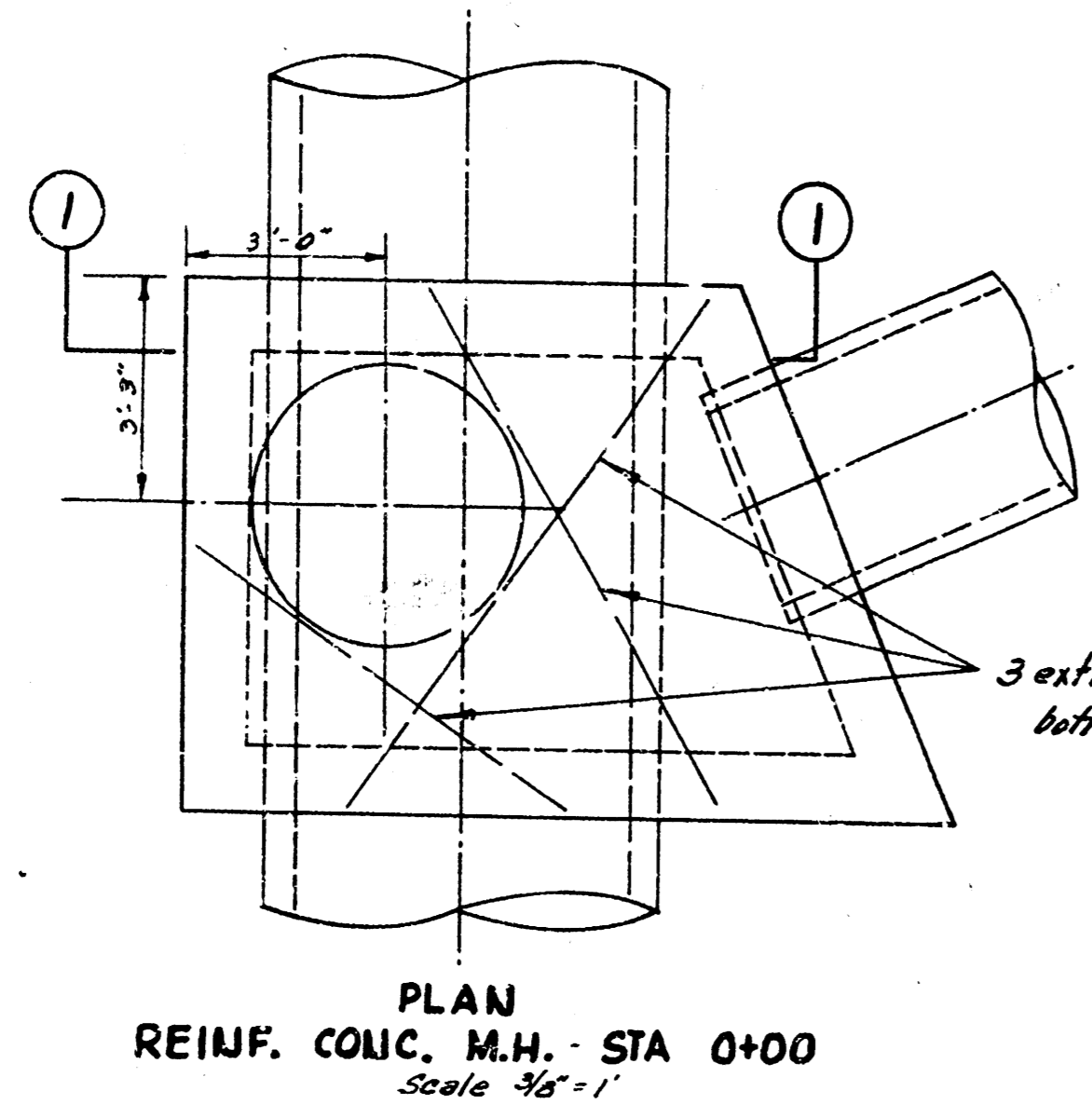






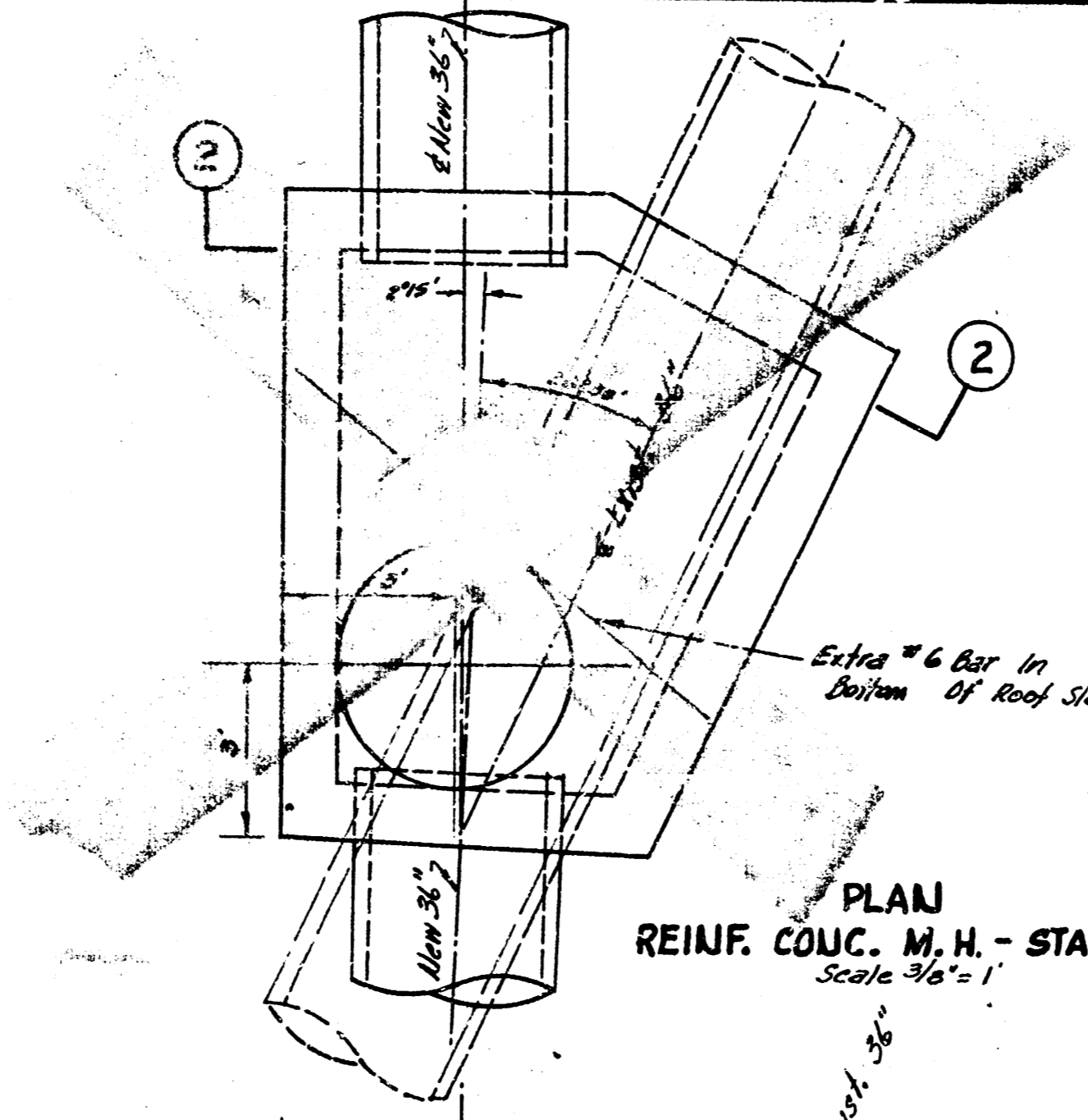






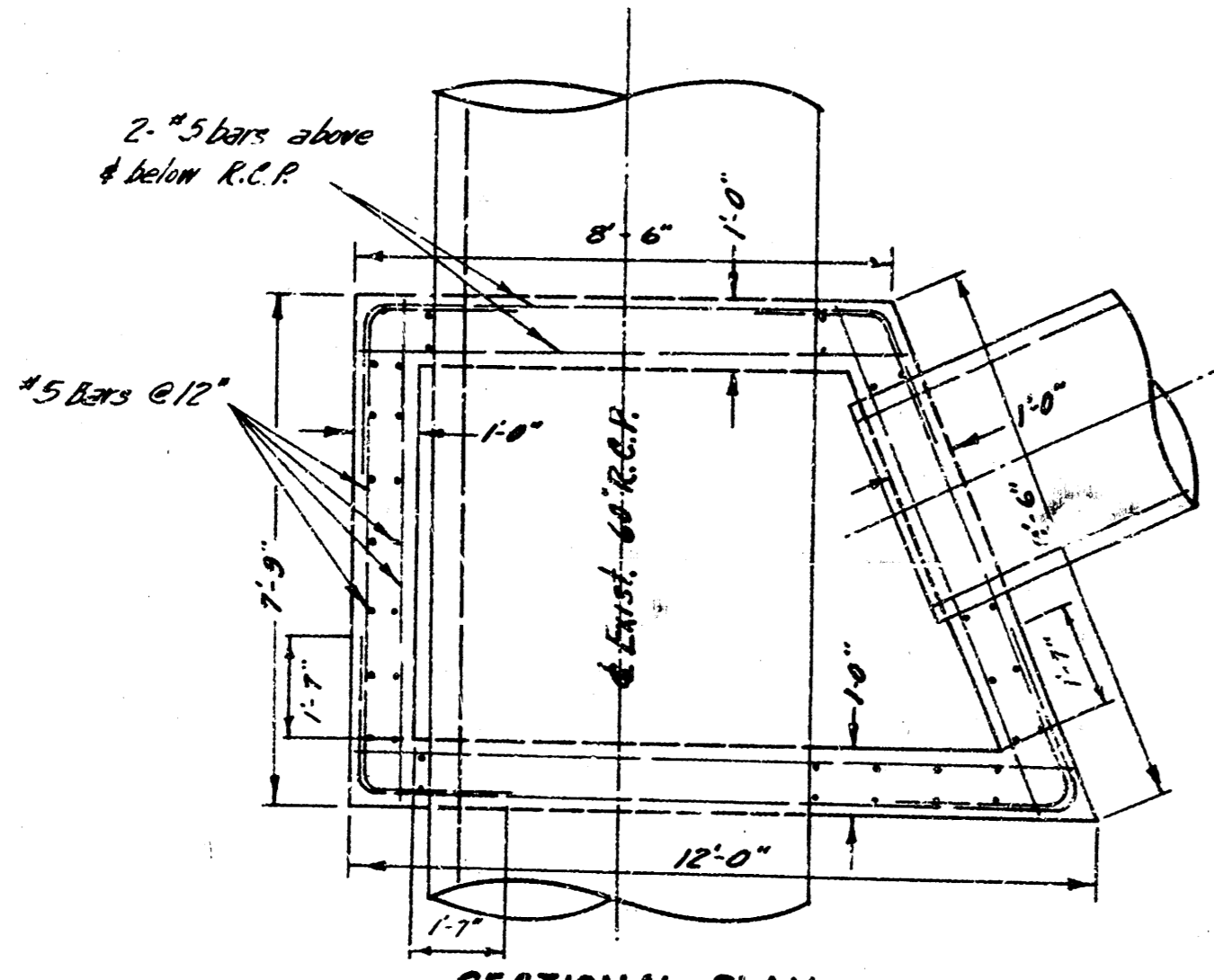
PLAN
REINF. CONC. M.H. - STA 0+00
Scale 3/8" = 1'

NOTE:
4 Extra #6 Bars
around 36" R.C.R.
in walls.
3 extra #6 bars in
bottom of roof slab



PLAN
REINF. CONC. M.H. - STA 4+34
Scale 3/8" = 1'

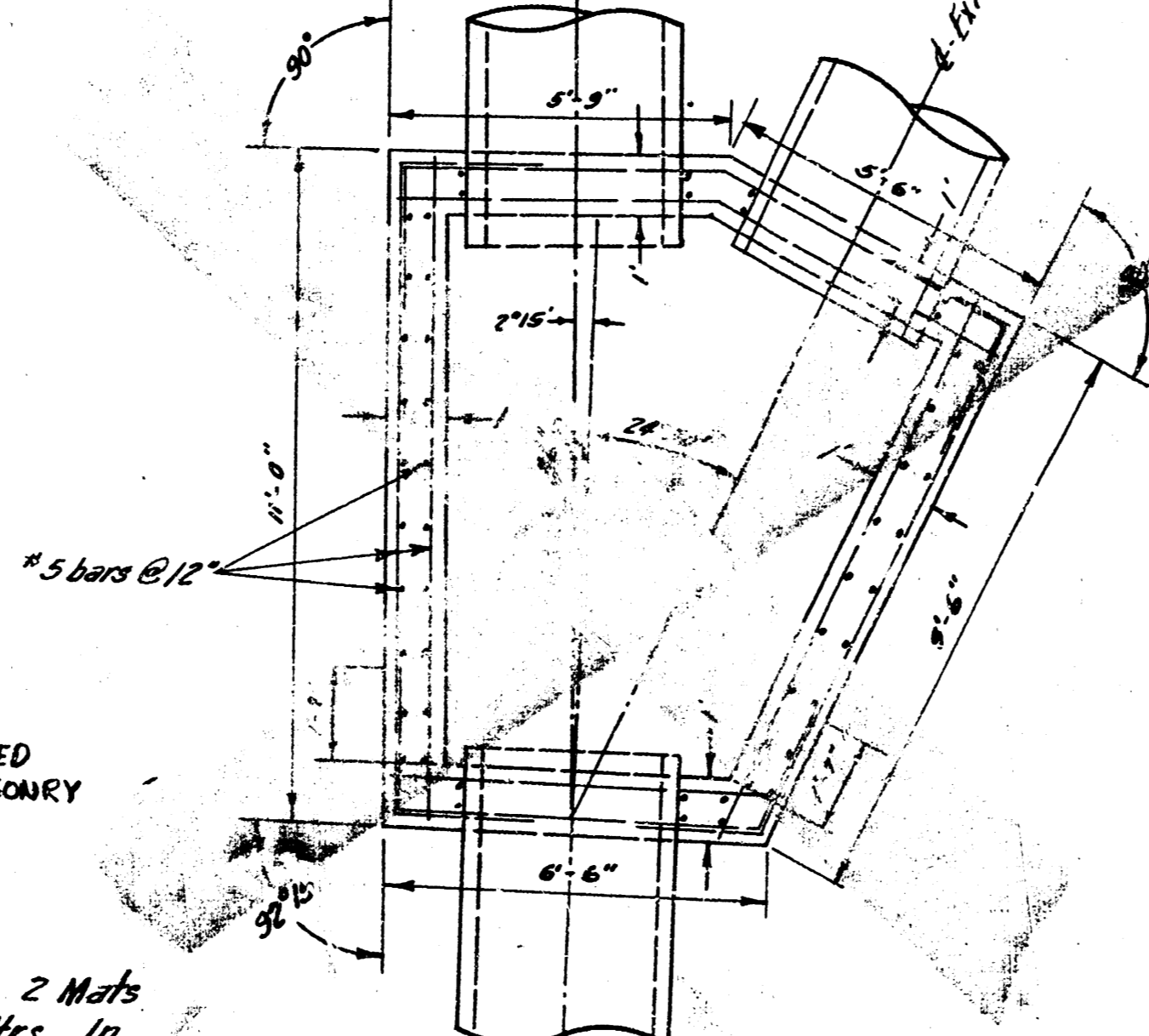
Extra #6 Bar in
bottom of roof slab.



SECTIONAL PLAN
REINF. CONC. M.H. - STA 0+00
Scale 3/8" = 1'

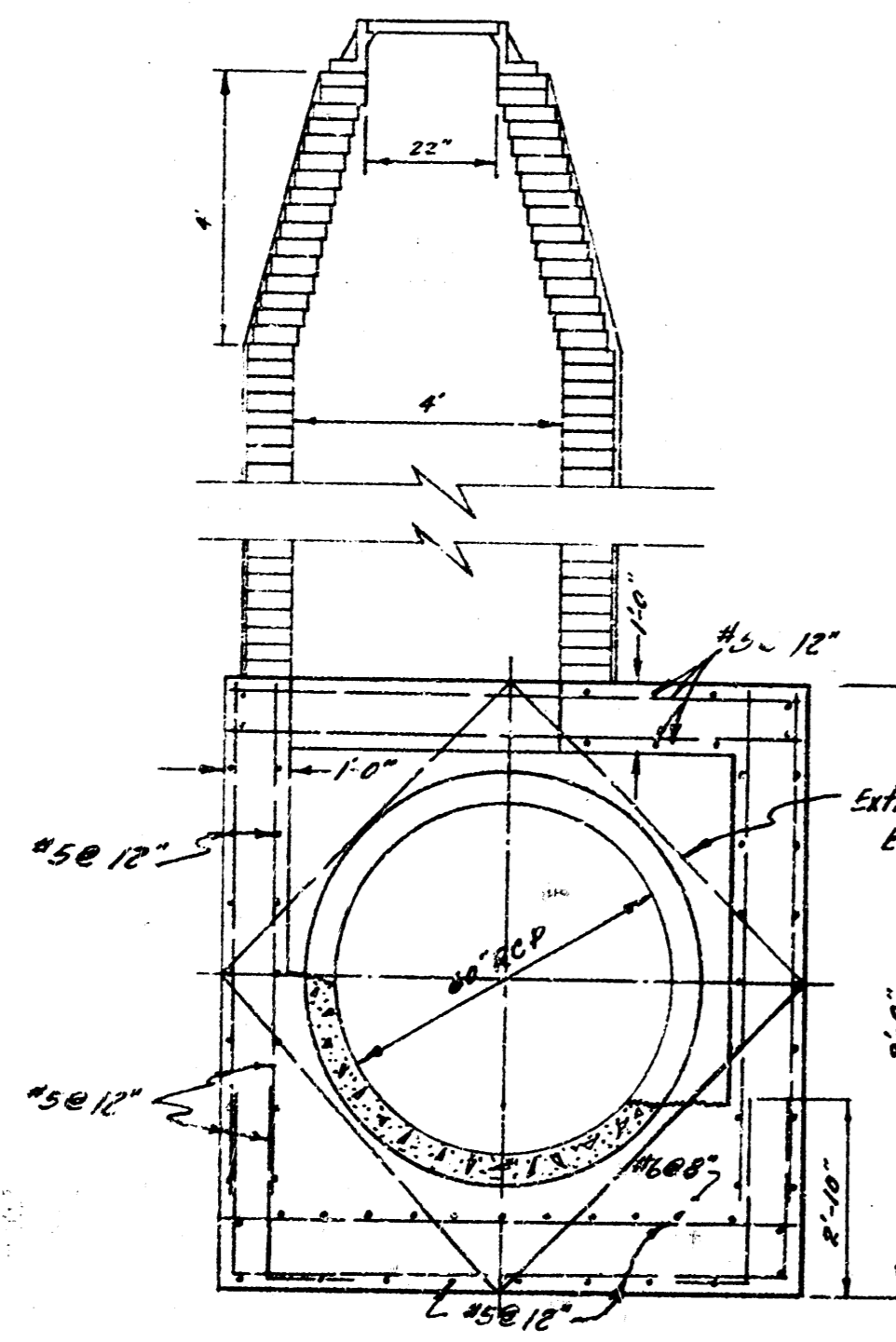
2 #5 bars above
& below R.C.R.
#5 bars @ 12"
New 36" R.C.R.

NOTE:
PLUGS FOR ABANDONED
SEWERS TO BE IN 12" MASONRY
OR 7 SACK CONCRETE.



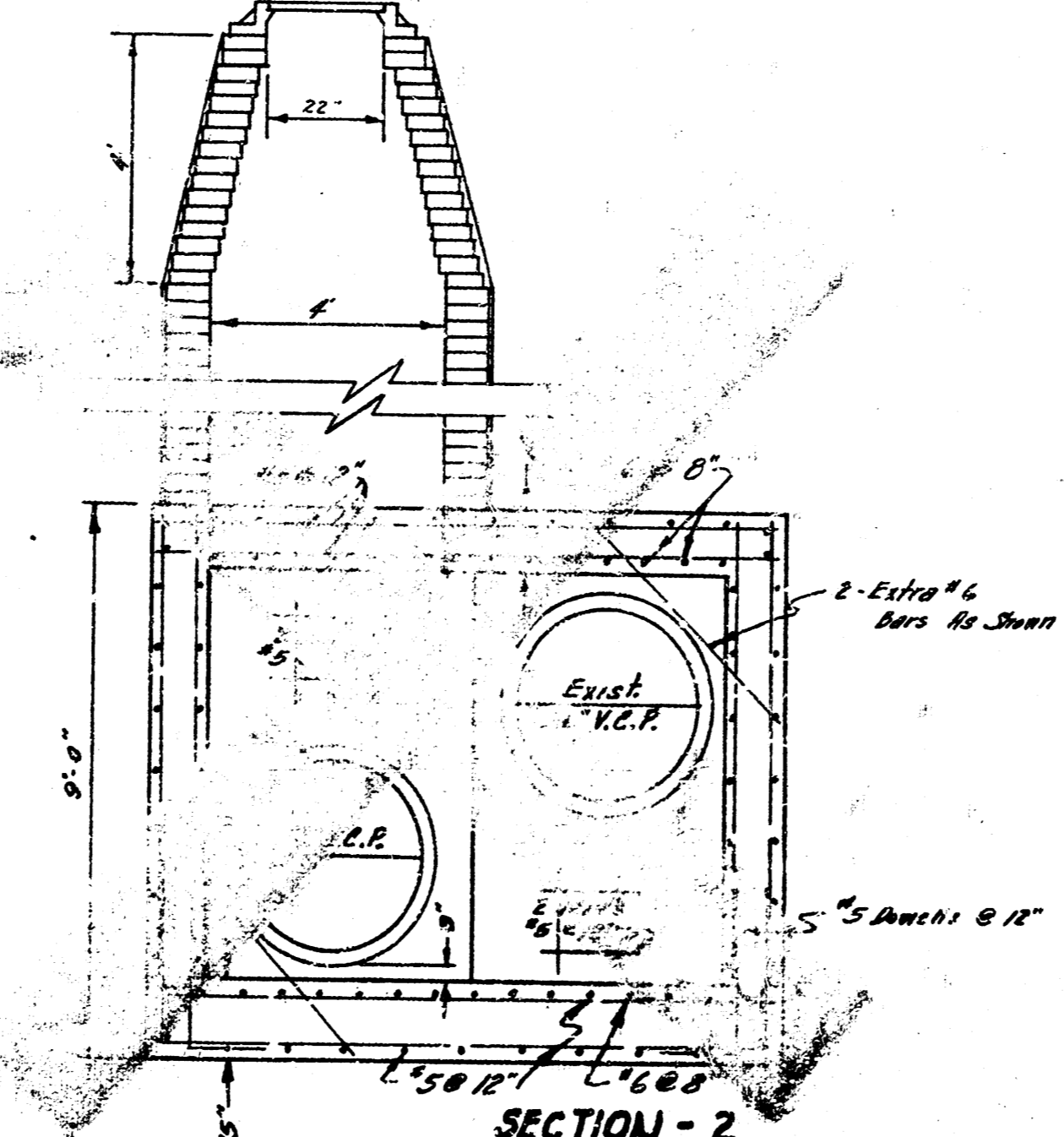
SECTIONAL PLAN
REINF. CONC. M.H. - STA 4+34
Scale 3/8" = 1'

NOTE:
Steel Pattern - 2 Mats
of #5 bars @ 12" Ctrs. in
Roof, Walls, and Base,
Except As Noted.
Extra Diagonal Bars
around opening to be
used as shown.

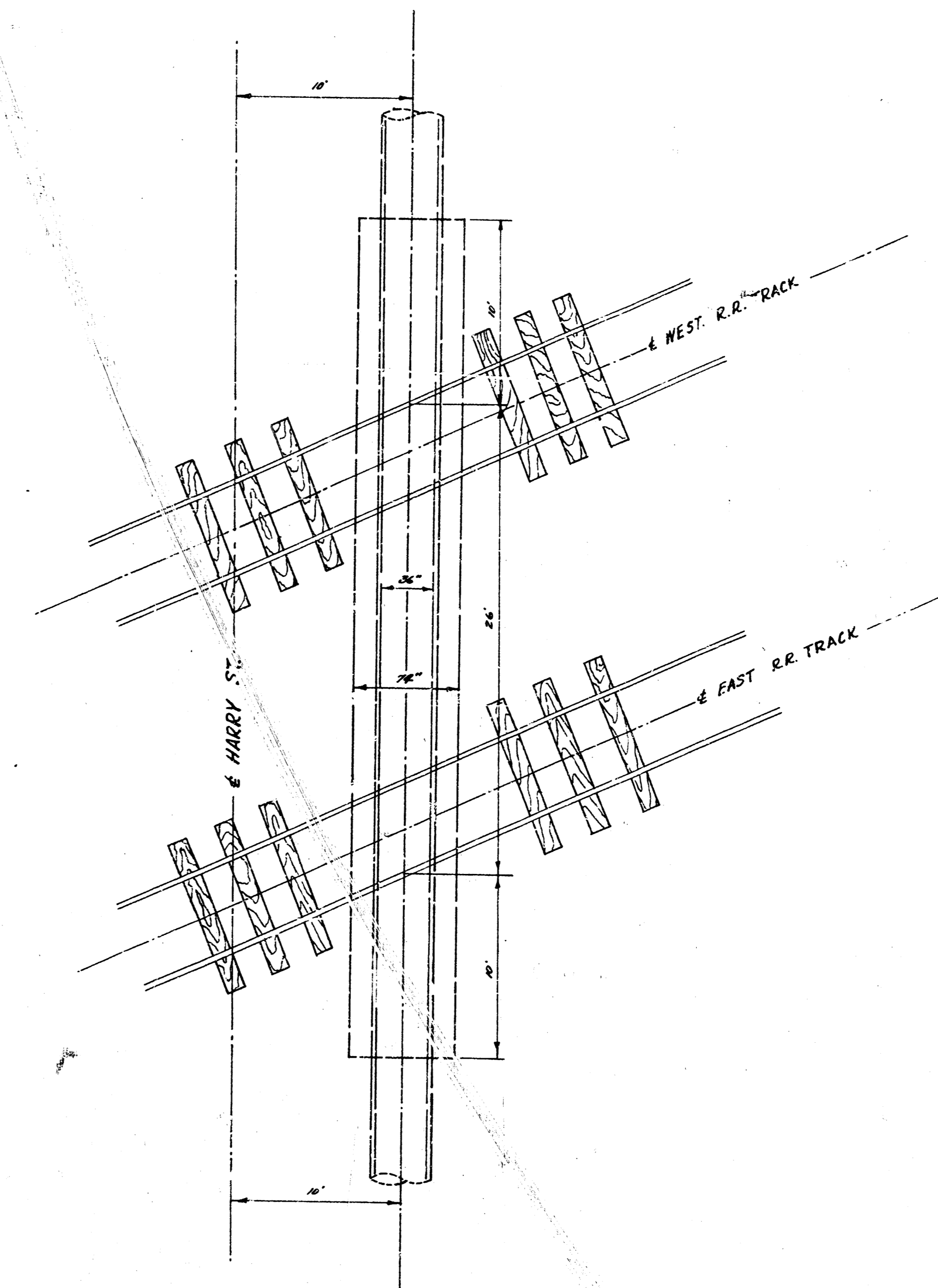


SECTION - 1
REINF. CONC. M.H. - STA 0+00
Scale 3/8" = 1'

NOTE:
Manhole Inverts are to
be of cured concrete. The
concrete fill shall be
shaped to the radius of
the sewer pipe so that
smooth flow lines will
result.
Inside Top & Walls of
Manhole Structures to be
lined with plastic. The
plastic lining shall extend
a minimum of 6" below top
of invert fill. No lining
required on concrete fill
invert of Manhole Structure
or on Brick Manhole
Barrel.
Plastic Sheets for
lining Structure Wall and
Roof Surfaces shall be
Amer-Plate "T" Lock Liner
Plate as manufactured by
Amer-coat Corp. or an
Approved Equal, Minimum
Thickness of Liner .36".



SECTION - 2
REINF. CONC. M.H. - STA 4+34
Scale 3/8" = 1'



RAILROAD CROSSING DETAIL
ON HARRY STREET
Scale 3/8" = 1'

3.5 Sack Sand Mix
1/4" Stone - Concrete
intended to be done
by mix rammed in
place.
UNDISTURBED
EARTH
36" R.C.R.
7/8" Metal
Pipe Conduit 8 Gauge Arched Liner Plates
or Equal
(Back)

ALL DRAWING ON SS-1
C66-33 SHEET TOP 7