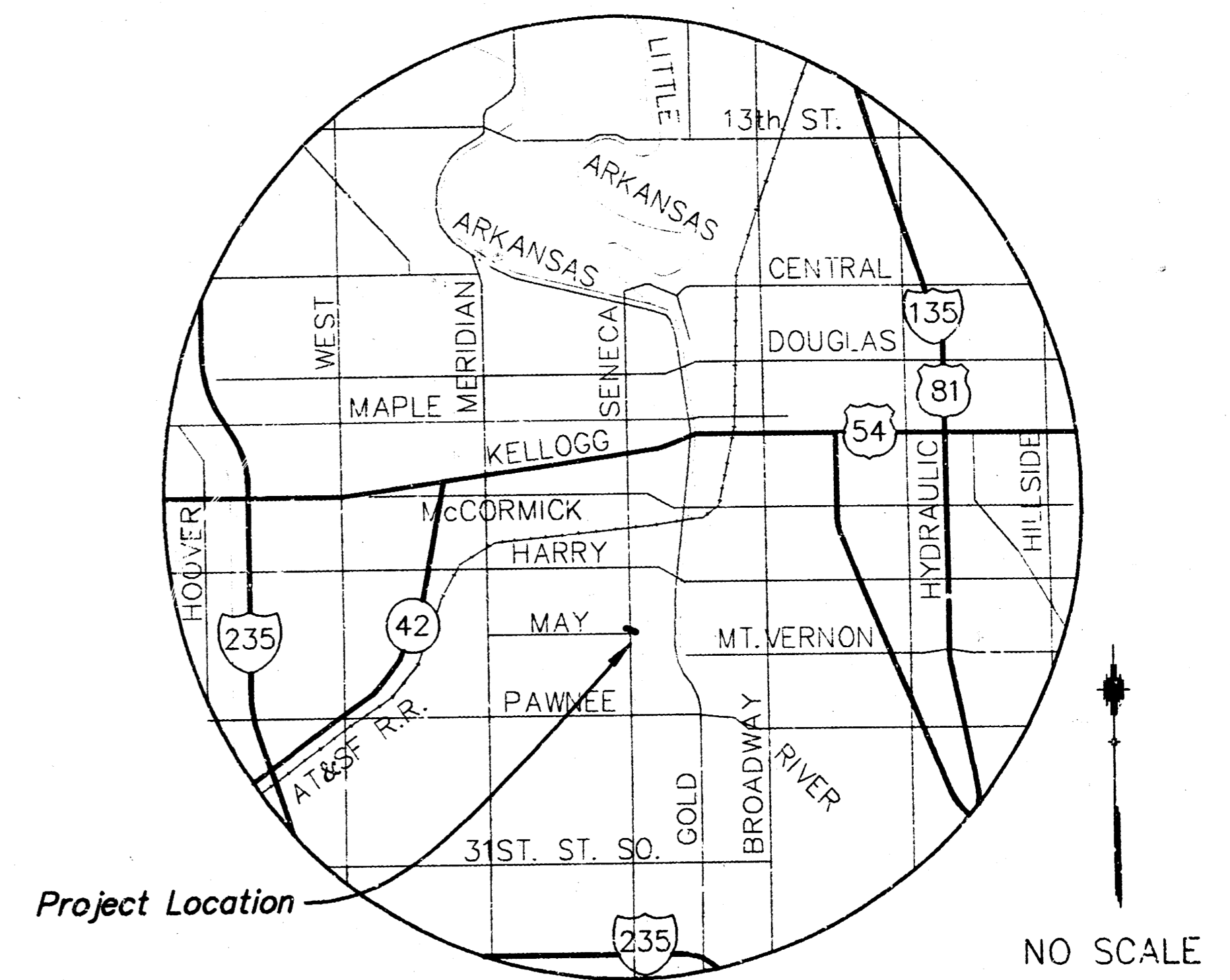


RECONSTRUCTION OF SANITARY SEWER IN SOUTH SENECA BETWEEN MAY AND DORA PART OF MAIN A, SANITARY SEWER 8 AND RECONSTRUCTION OF SANITARY SEWER IN SOUTH SENECA AT ESTHNER PART OF LATERAL 1, DIST. E, SANITARY SEWER #21 PROJECT NO. 468-82729



LOCATION MAP

GENERAL NOTES

- THE CONTRACTOR SHALL BE RESPONSIBLE FOR PRESERVING PROPERTY IRONS. THE CONTRACTOR WILL BE REQUIRED TO RE-ESTABLISH ANY PROPERTY IRONS WHICH ARE DAMAGED OR DESTROYED BY HIS CONSTRUCTION OPERATIONS. SUCH IRONS SHALL BE RE-ESTABLISHED BY A LICENSED LAND SURVEYOR IN ACCORDANCE WITH STATE LAWS.
- EXISTING UTILITIES AND THEIR LOCATIONS, AS SHOWN ON THE PLANS, REPRESENT THE BEST INFORMATION OBTAINABLE FOR DESIGN. LOCATION INFORMATION HAS BEEN OBTAINED FROM THE VARIOUS UTILITY COMPANIES AND IS EITHER FROM COMPANY RECORD DRAWINGS OR COMPANY PROVIDED FIELD LOCATIONS. THE PLAN LOCATIONS SHOWN ARE NOT GUARANTEED. ADDITIONAL EXISTING UTILITIES MAY ALSO BE ENCOUNTERED.
- CONTRACTOR SHALL PROVIDE A MINIMUM ADVANCE NOTICE OF FORTY-EIGHT (48) HOURS TO UTILITY COMPANIES PRIOR TO STARTING ANY EXCAVATION AS FOLLOWS:

KANSAS ONE-CALL 1-800-344-7233
or 687-2470 (LOCAL WICHITA)

THE CONTRACTOR MUST NOTIFY THE FOLLOWING IN CASE OF AN EMERGENCY:

SOUTHWESTERN BELL TELEPHONE COMPANY 1-800-734-7590
CABLEVISION 263-2061
KG&E (GAS & ELECTRIC) 383-8600
CITY OF WICHITA WATER & SEWER MAINTENANCE 268-4908
WILLIAMS NATURAL GAS 524-0491
OR 1-800-324-9696 (AFTER 4 p.m.)

- RUBBLE FROM THE REMOVAL OF MISCELLANEOUS STRUCTURES AND EXCESS EXCAVATION WHICH IS TO BE WASTED SHALL BE DISPOSED OF ON SITES PROVIDED BY THE CONTRACTOR. THESE SITES SHALL BE APPROVED BY THE ENGINEER AS TO SUITABILITY, APPEARANCE AND SITE LOCATION. LOCATIONS THAT, IN THE OPINION OF THE ENGINEER, WILL LEAVE AN UNSIGHTLY APPEARANCE WILL NOT BE APPROVED. ALL DISPOSAL SITES MUST BE APPROVED BY THE KANSAS DEPARTMENT OF HEALTH AND ENVIRONMENT. MATERIAL EITHER STOCKPILED OR DISPOSED OF IN A FLOOD PLAIN REQUIRES A KANSAS STATE BOARD OF AGRICULTURE PERMIT. ANY MATERIAL DUMPED IN WATERS OF THE UNITED STATES OR WETLANDS IS SUBJECT TO U.S. CORPS OF ENGINEERS PERMITTING REGULATIONS. ANY MATERIAL BURIED OR STOCKPILED BEYOND APPROVED CONSTRUCTION LIMITS REQUIRES ADDITIONAL ARCHAEOLOGICAL INVESTIGATIONS UNLESS BURIED IN A PREVIOUSLY APPROVED BORROW LOCATION.
- COST OF EXCAVATION, HAULING, AND DUMPING OF EXCESS EXCAVATION SHALL BE SUBSIDIARY TO THE PROJECT.
- A PORTION OF EXCESS EXCAVATED MATERIAL SHALL BE MOUNDING AROUND MANHOLES WHICH EXTEND MORE THAN ONE (1) FOOT ABOVE THE EXISTING GROUND. SUCH MOUNDS SHALL BE CONSTRUCTED WITH A SIX (6) FOOT DIAMETER FLAT TOP WITH 4 TO 1 SIDE SLOPES DOWN TO THE ORIGINAL GROUND. THE ELEVATION OF THE FLAT TOP OF THE MOUND SHALL BE 0.4 FOOT BELOW THE TOP OF THE MANHOLE.
- TREES AND SHRUBS IN PUBLIC RIGHT-OF-WAY WHICH ARE IN DIRECT CONFLICT WITH PROPOSED NEW CONSTRUCTION SHALL BE REMOVED BY THE CONTRACTOR WITH THE ENGINEER'S APPROVAL. TREES AND SHRUBS WHICH ARE NOT IN DIRECT CONFLICT WITH PROPOSED NEW CONSTRUCTION SHALL BE SAVED AND PROTECTED FROM DAMAGE.
- ALL DISTURBED AREAS TO BE SEEDED WITH RYE GRASS AT A RATE OF 200LBS./ ACRE WITHIN 10 DAYS OF CONSTRUCTION. CONTRACTOR TO PREPARE GROUND PER CITY SPEC.
- THE CONTRACTOR SHALL BE RESPONSIBLE FOR MAINTAINING CONTINUOUS FLOW OF SEWAGE THROUGH THE CONSTRUCTION. CONTRACTOR'S PROPOSED METHOD FOR MAINTAINING SEWAGE FLOW SHALL BE APPROVED BY THE ENGINEER. COST OF MAINTAINING FLOW OF SEWAGE THROUGH CONSTRUCTION WILL NOT BE PAID FOR DIRECTLY AND THIS COST SHALL BE CONSIDERED SUBSIDIARY TO THE OTHER PAY ITEMS OF WORK.
- CONTRACTOR SHALL MAINTAIN TWO WAY TRAFFIC EACH DIRECTION THROUGHOUT CONSTRUCTION. THE CONTRACTOR SHALL SUBMIT A TRAFFIC SEQUENCING PLAN TO THE ENGINEER FOR APPROVAL PRIOR TO COMMENCING WORK. COST SHALL BE CONSIDERED SUBSIDIARY TO PROJECT.

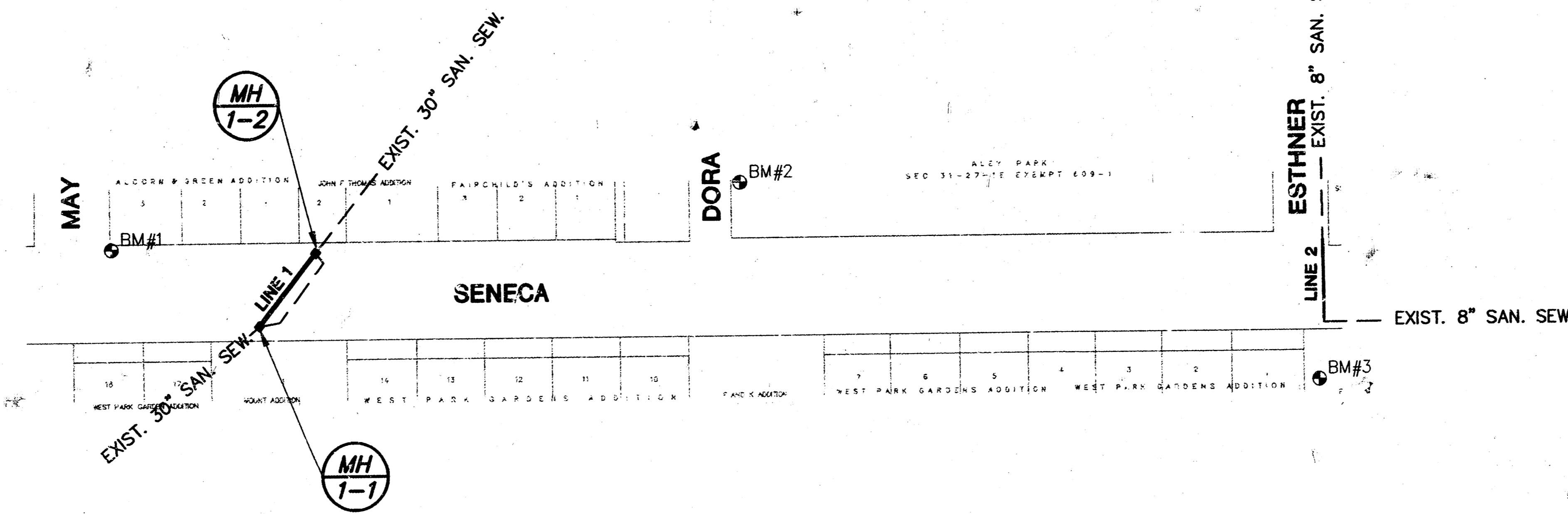
CITY OF WICHITA, KANSAS
MICHAEL E. LINDEBAK, CITY ENGINEER
INDEX CODE 621730

INDEX TO DRAWINGS

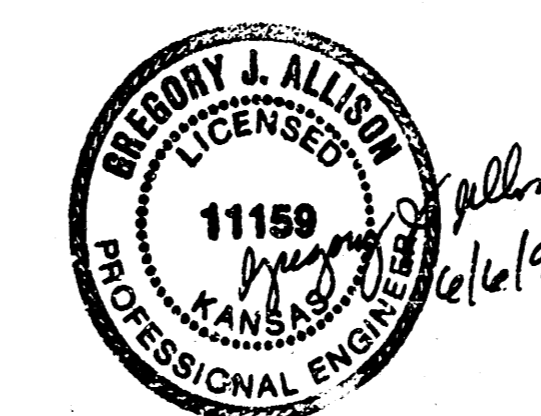
SHEET NO.	DESCRIPTION
1	TITLE SHEET
2	MANHOLE DETAILS
3	LINE 1
4	LINE 2

BENCHMARKS

BM #1	CITY DISC IN SIDEWALK NW COR. MAY & SENECA ELEV. = 1288.42
BM #2	"□" CUT ON TOP OF CURB NORTH SIDE OF DORA ELEV. = 1287.35
BM #3	R.R. SPIKE IN WEST FACE OF POWER POLE. ELEV. = 1289.53



SCALE: 1" = 100'

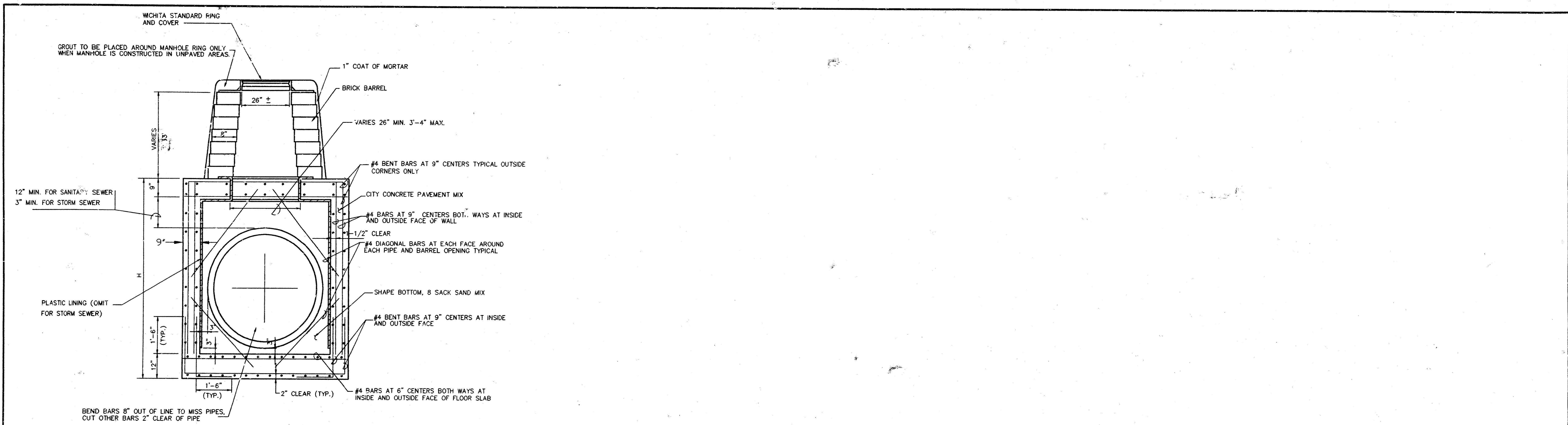


**RECONSTRUCTION OF SANITARY SEWER
IN SOUTH SENECA**
PROJECT NAME

TITLE SHEET
SHEET TITLE

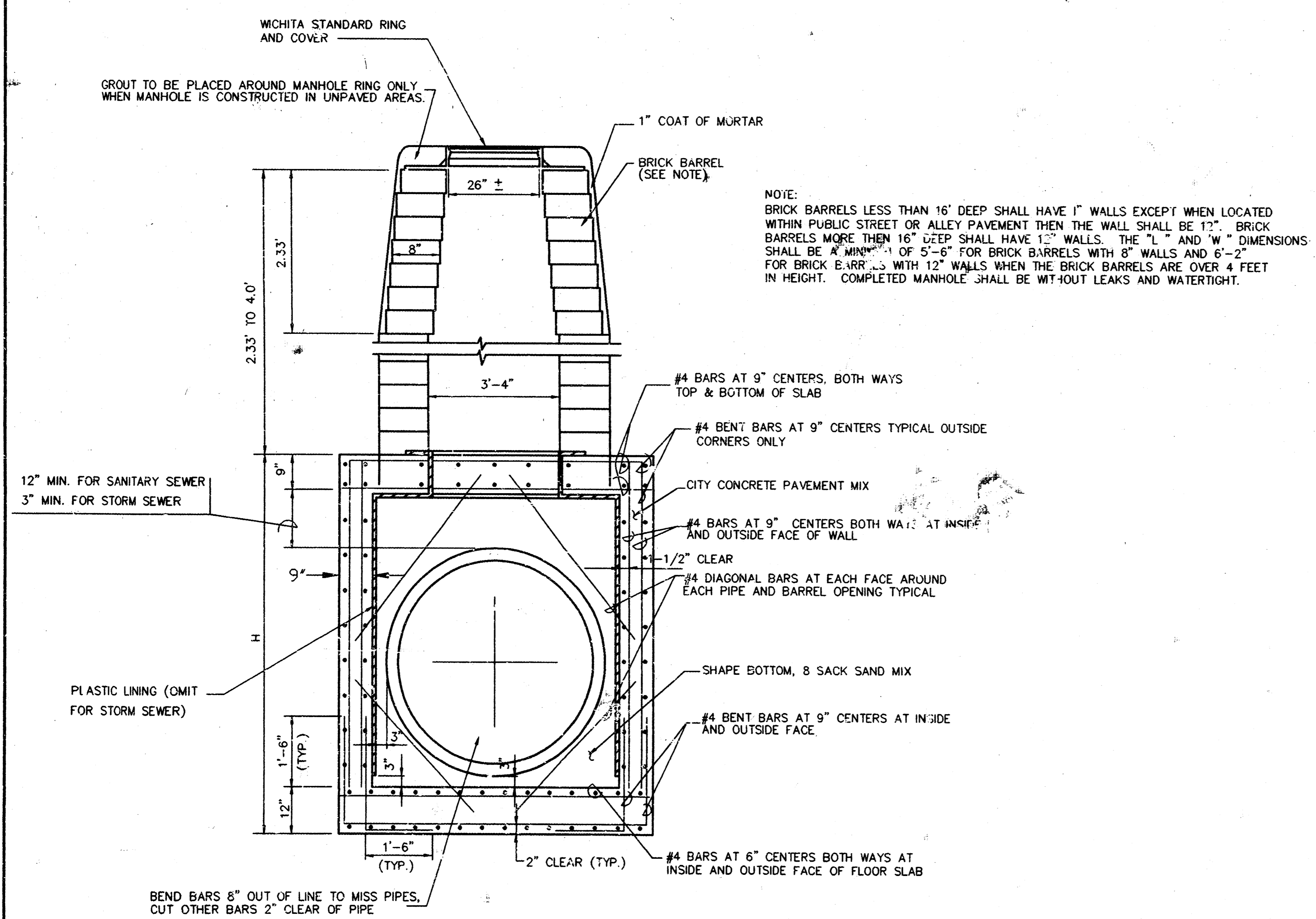
DLM DESIGN BY.	WVJ DRAWN BY.	DLM CHECKED BY.
3/21/97 DATE	94005-BT JOB NO.	1 / 4 SHEET OF

MID-KANSAS ENGINEERING CONSULTANTS, INC.
411 N. WEBB ROAD
WICHITA, KS. 67206
316-684-9600



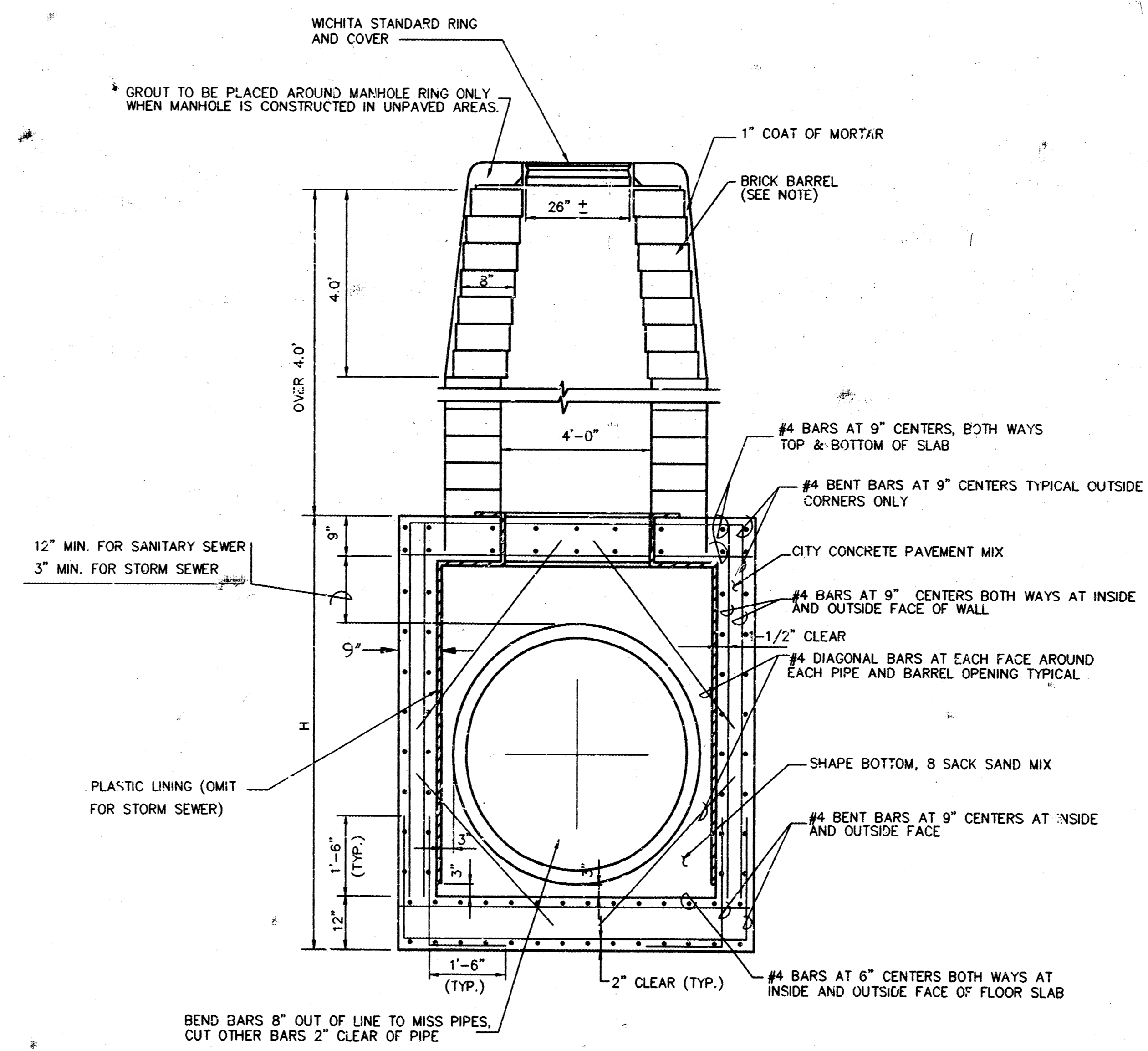
REINFORCED CONCRETE MANHOLE

DEPTH OF STACK: 0' TO 2.33'



REINFORCED CONCRETE MANHOLE

DEPTH OF STACK: 2.33' TO 4.0'

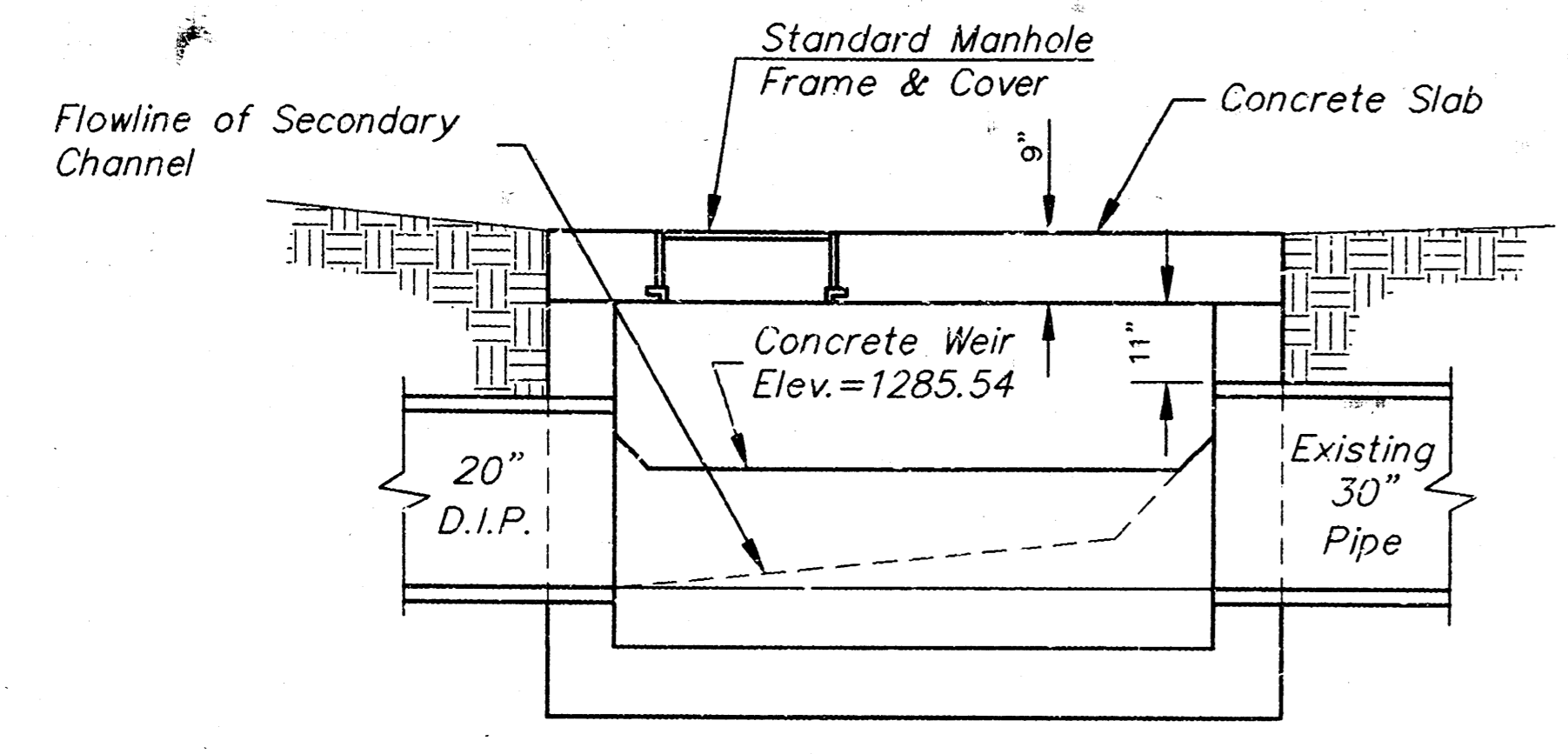


REINFORCED CONCRETE MANHOLE

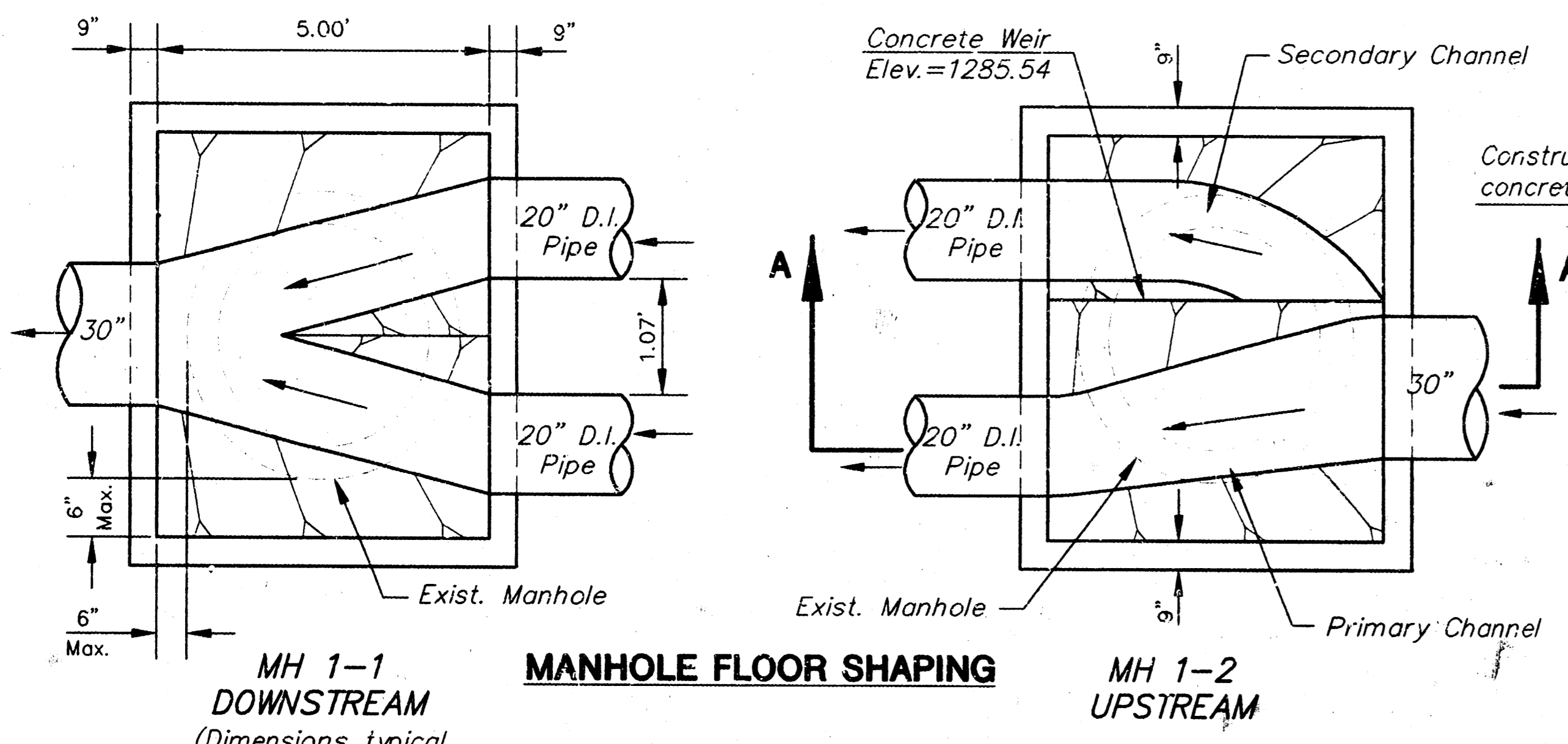
DEPTH OF STACK: OVER 4.0'

KANSAS DEPARTMENT OF TRANSPORTATION		
STANDARD DETAILS		
REINFORCED CONCRETE MANHOLES		
PROJECT NO.		
MID-KANSAS ENGINEERING CONSULTANTS, INC.		
WICHITA, KANSAS		
DESIGNED BY:	CHECKED BY:	
DRAWN BY:	DATE:	SHEET 2 OF 4

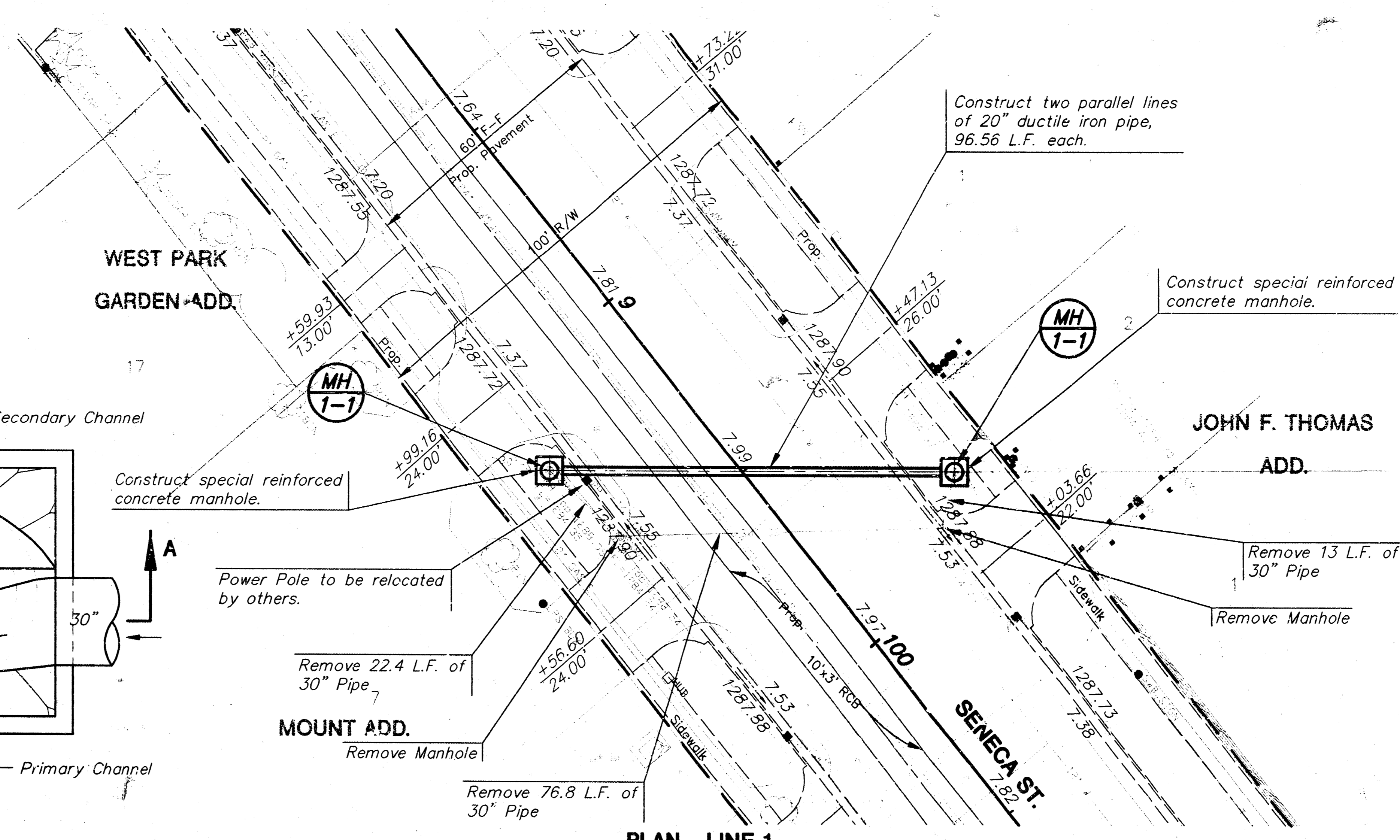
**SEWER RECONSTRUCTION IN SENECA FROM MAY TO DORA
PROJ. NO. 468-82729**



A-A



MANHOLE FLOOR SHAPING

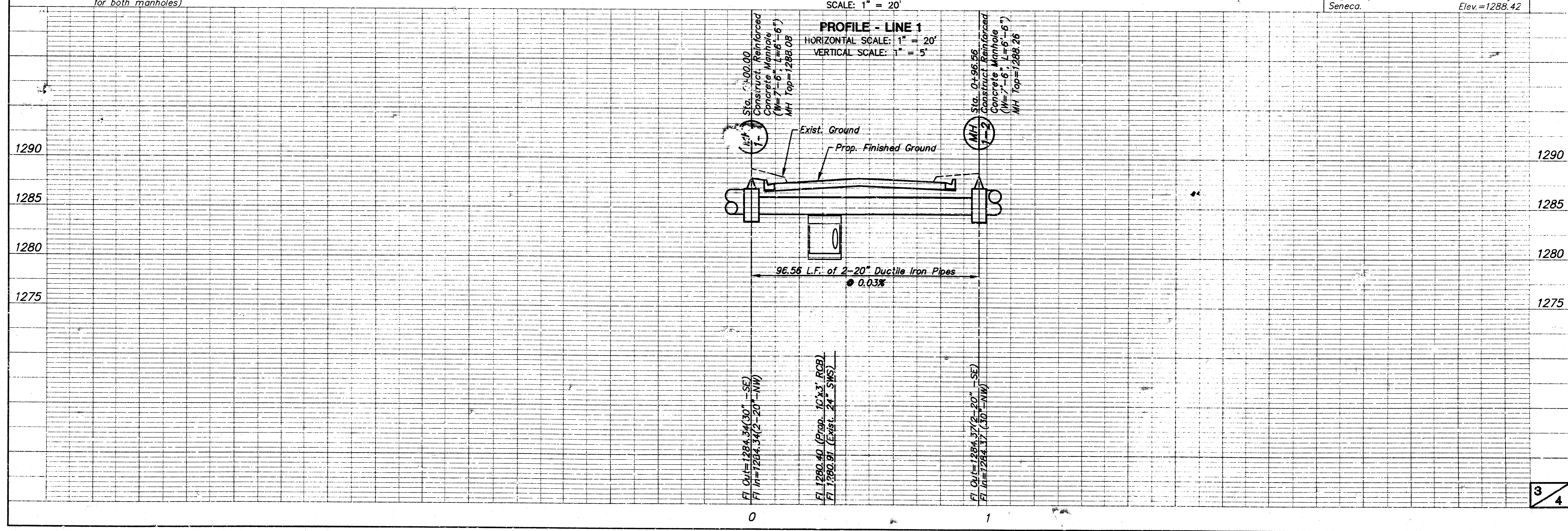


**PLAN - LINE 1
SCALE: 1" = 20'**

Notes:

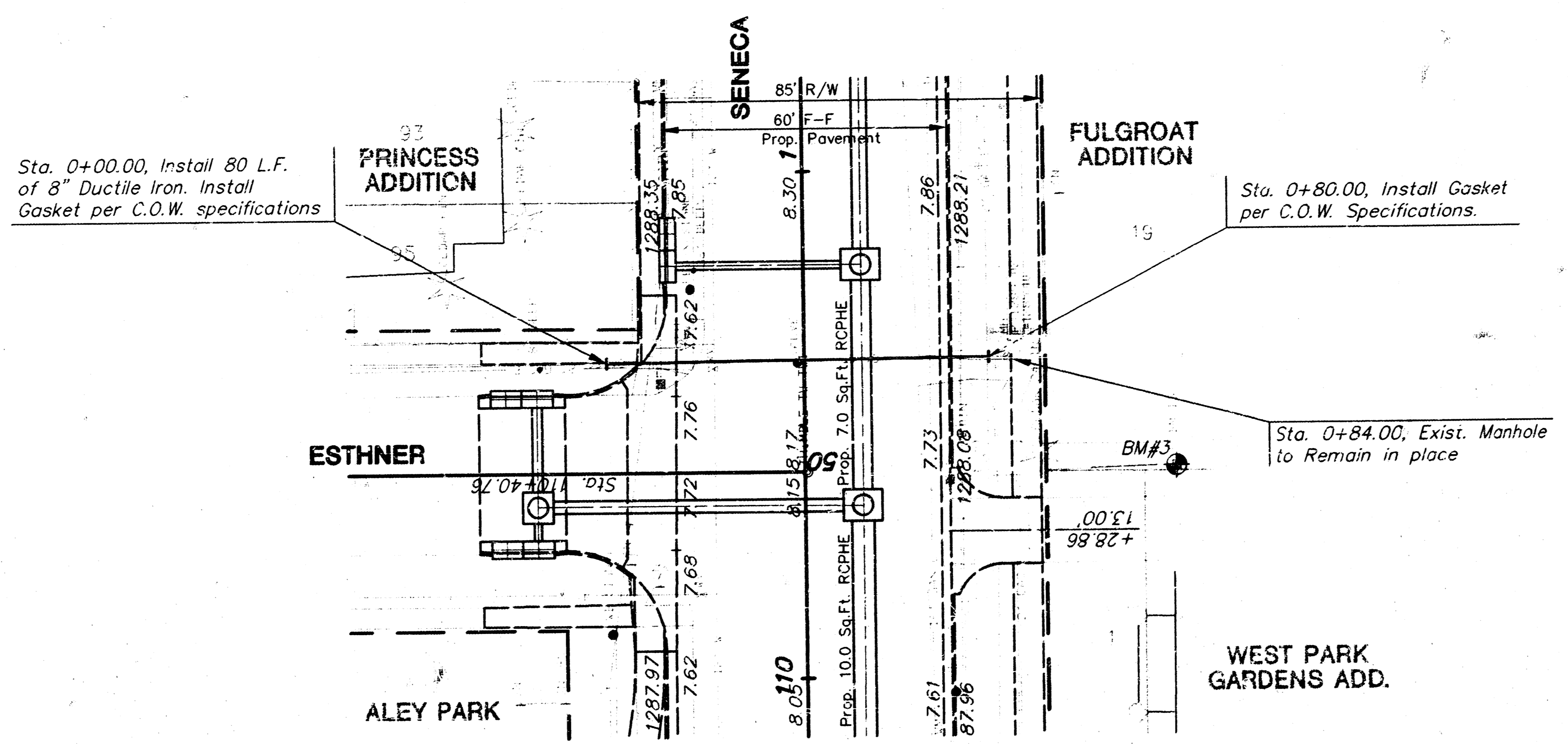
1. Wall and floor dimensions and reinforcement for both manholes shall be as required for reinforced concrete manholes.
2. Top slab of manholes shall be 9" thick with reinforcement as required for reinforced concrete manholes.
3. Manhole interior surfaces shall be plastic lined.
4. Install #4 diagonal bars around each pipe and around manhole frame.
5. Ductile iron pipe shall be encased in polyethylene film.
6. Ductile iron pipe shall have interior lining of calcium aluminate such as Sempcoat by Lafarge Calcium Aluminates and Griffin Pipe Products, Co. or Ceramic Epoxy such as Protecto 401 by U.S. Pipe.
7. Construct Special Reinforced Manholes around existing manholes. Contractor shall maintain flow through manholes at all times.
8. Contractor shall remove existing manholes and reshape or reconstruct existing invert to match proposed invert.
9. Install pavement patch per City of Wichita specifications.

BM#1 City Disc in sidewalk NW cor. May & Seneca.
Elev. = 1288.42



**PROFILE - LINE 1
HORIZONTAL SCALE: 1" = 20'
VERTICAL SCALE: 1" = 5'**

**SEWER RECONSTRUCTION IN
SENECA AT L. STHNER
PROJ. NO. 488-82729**



PLAN - LINE 2
SCALE: 1" = 20'

BM#3 R.R. Spike in West face of Power Pole Elev.=1289.53

