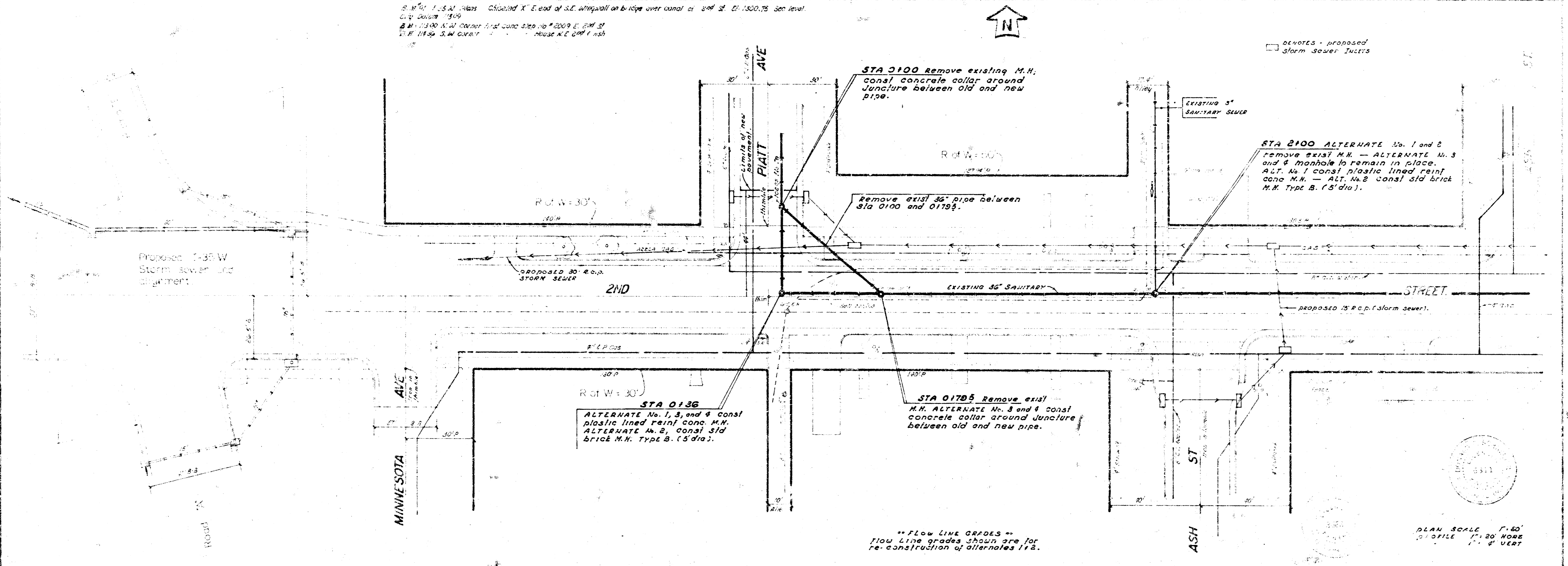
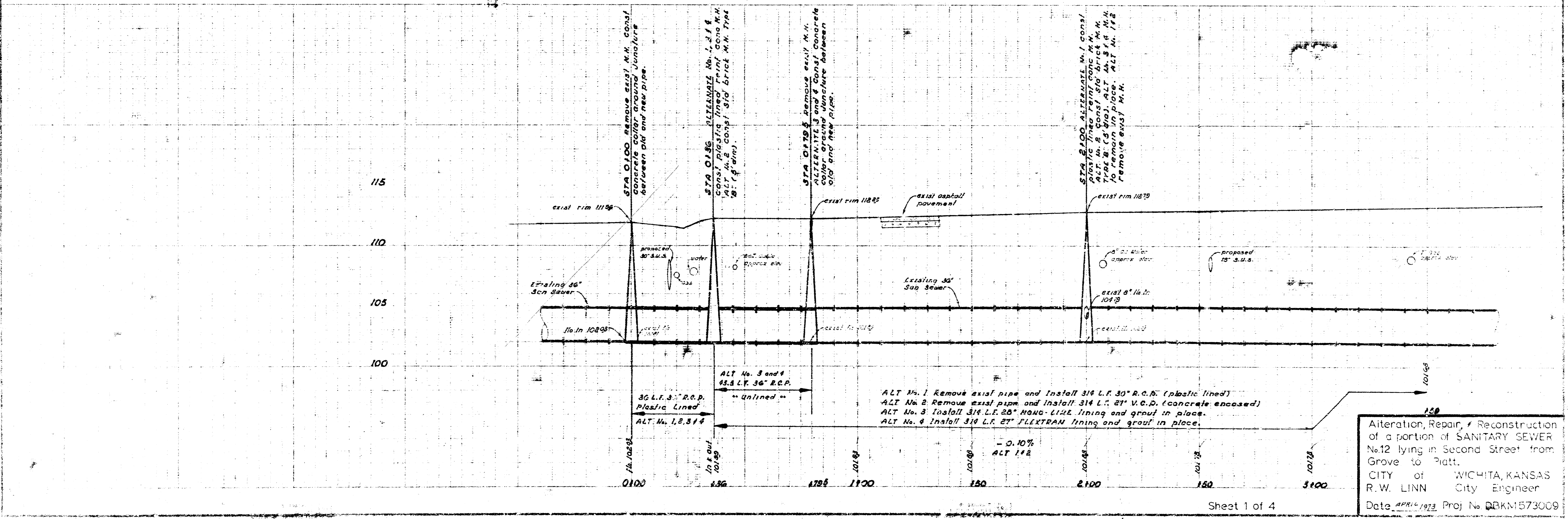


2. 10' to 1.5' class Channel 'K' E. end of S.E. Whipple on bridge over canal at end of E. 1300.75' 3rd level.
 City Council 1919
 3. M. 1340 N. of Center 1st class 100' to 200' E. of M. 31
 W. E. 1134 S. M. Center House N.E. of 1st

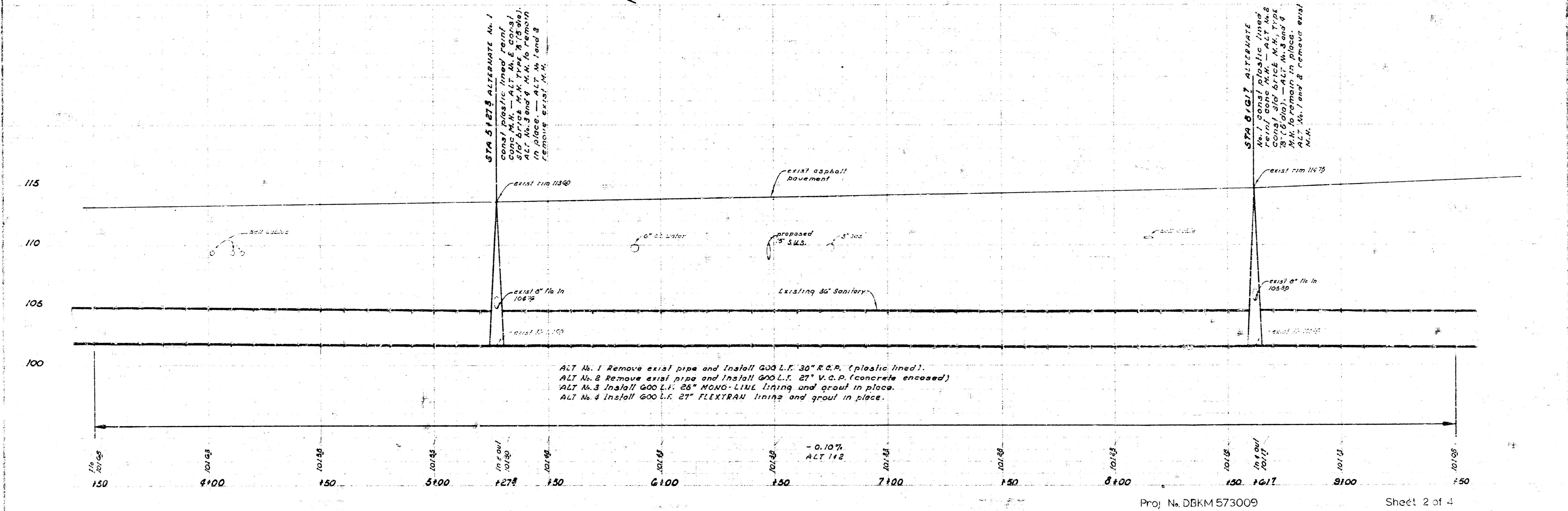
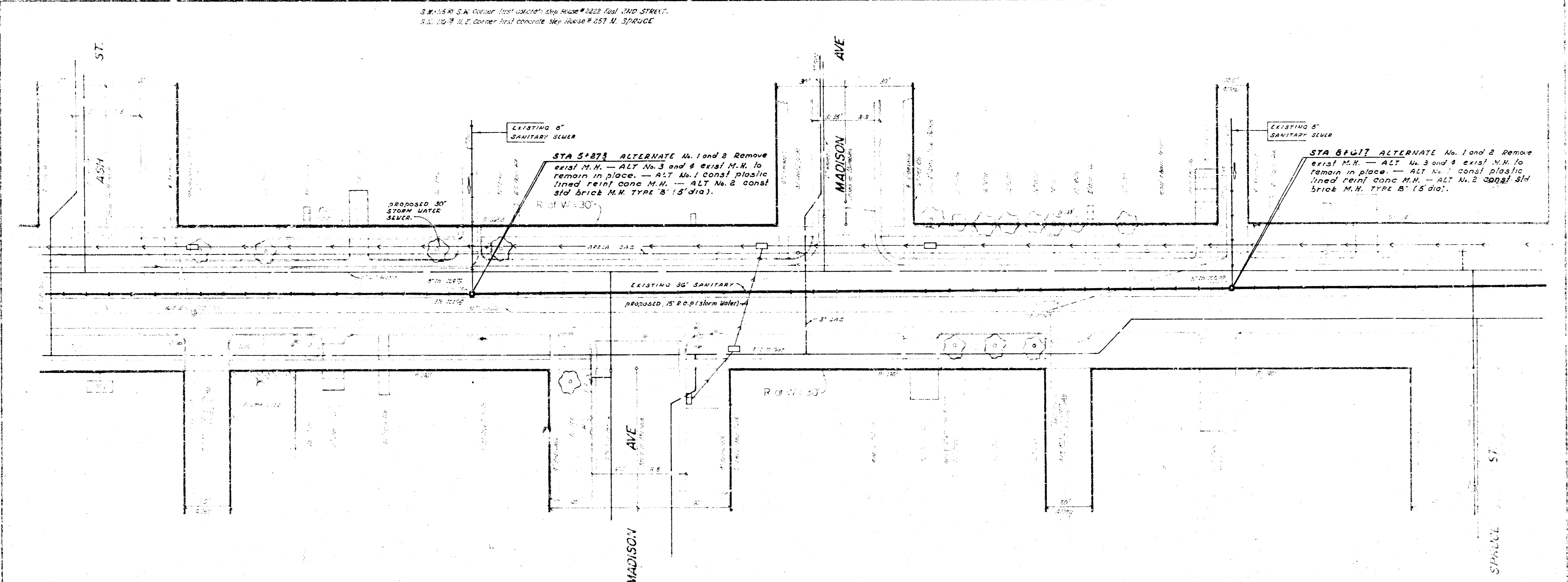


FLOW LINE GRADES
 Flow line grades shown are for
 re-construction of alternates 1 & 2.

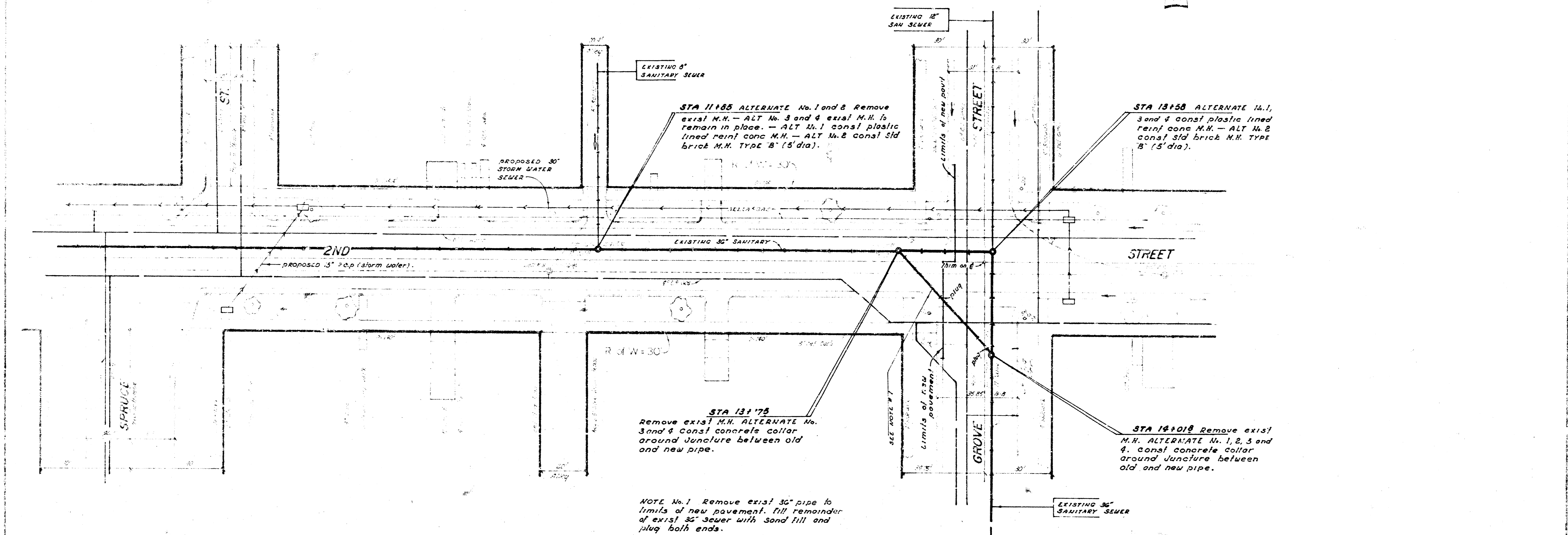
PLAN SCALE 1" = 20'
 PROFILE 1" = 4' VERT



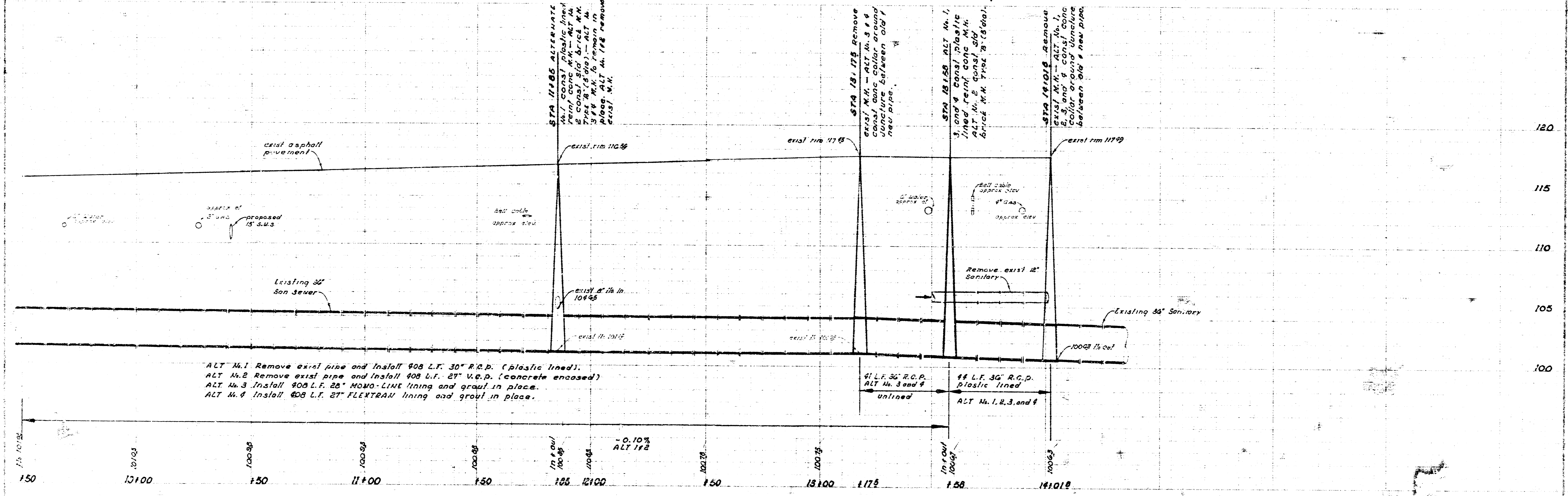
3' x 15' x 5' A.I.C. (curb first corner) slip House # 2222 East END STREET.
 3' x 15' x 5' A.I.C. (curb first corner) slip House # 557 U. SPRUCE



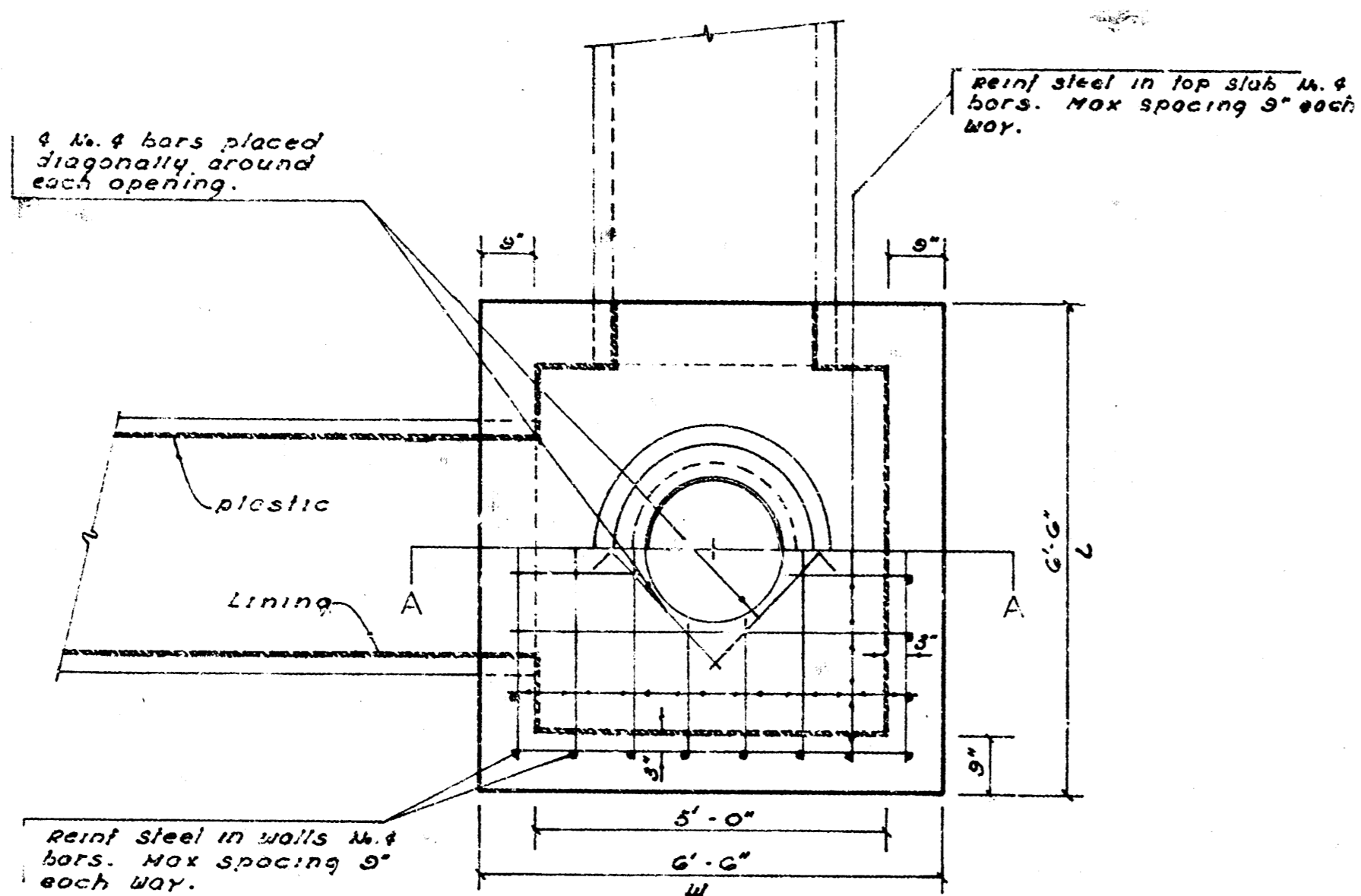
3 M. - 1974 U.E. County first class step House of 3 M. corner 2nd and GROVE.
 S.M. 11128 S.E. # 5529 East 2nd STREET



NOTE No. 1 Remove exist 30" pipe to limits of new pavement. Fill remainder of exist 30" sewer with sand fill and plug both ends.



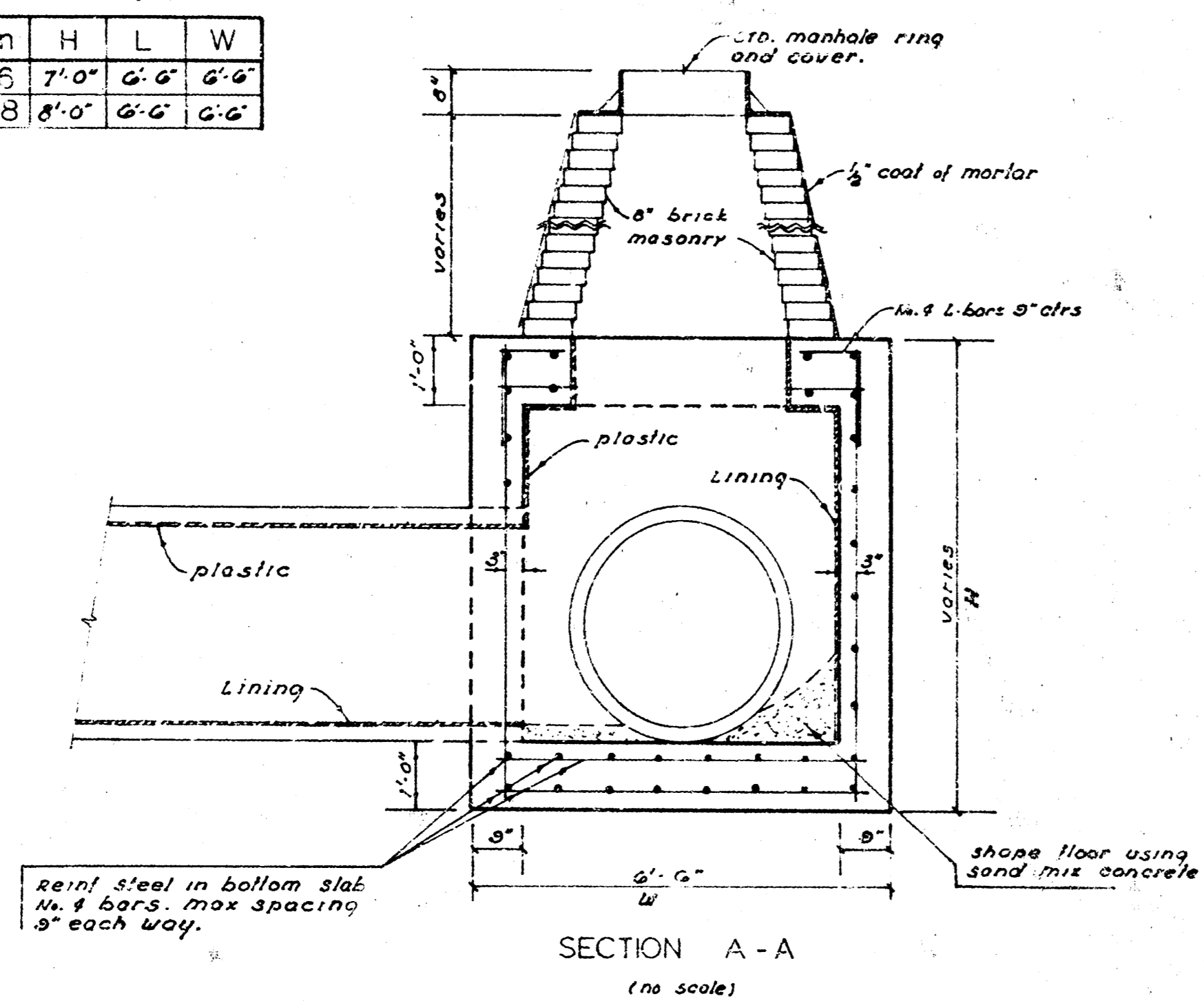
ALT No. 1 Remove exist pipe and install 408 L.F. 30" R.C.P. (plastic lined).
 ALT No. 2 Remove exist pipe and install 408 L.F. 27" V.G.P. (concrete encased)
 ALT No. 3 Install 408 L.F. 28" HOVO-LINE lining and gravel in place.
 ALT No. 4 Install 408 L.F. 27" FLEXTRAM lining and gravel in place.



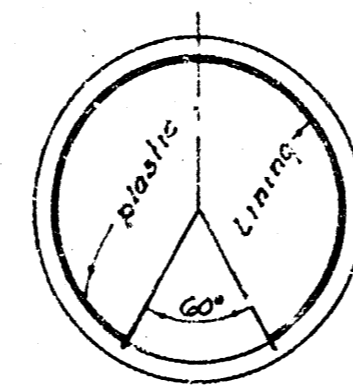
PLAN

REINF CONC MANHOLES
Alternates 1,3, and 4

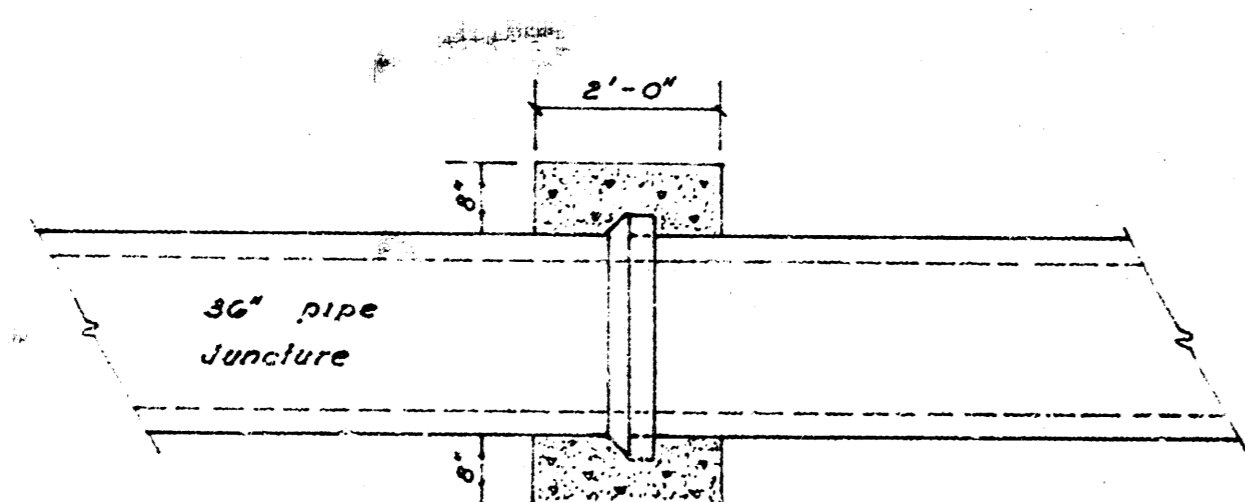
Station	H	L	W
0+36	7'-0"	6'-6"	6'-6"
13+58	8'-0"	6'-6"	6'-6"



SECTION A-A
(no scale)



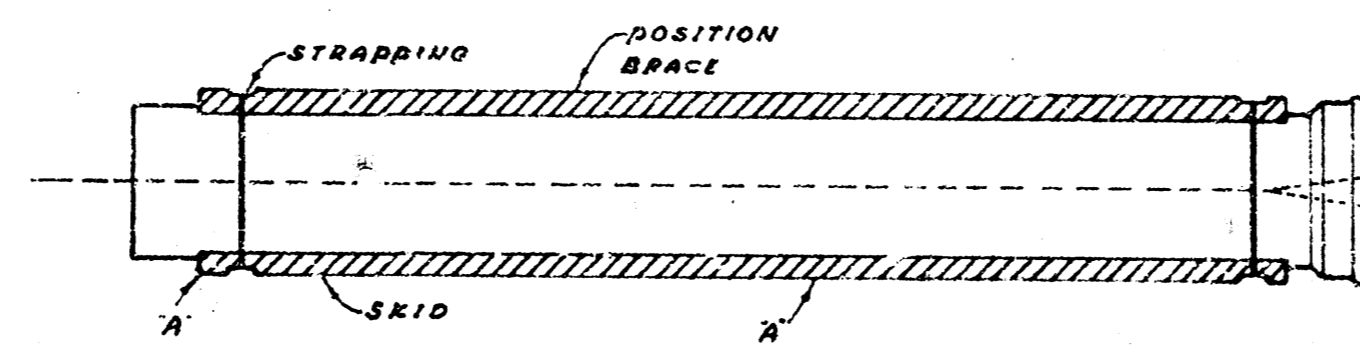
DETAIL: R.C.P. (plastic lining)



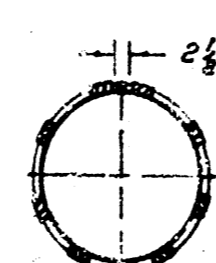
CONCRETE COLLAR DETAIL

- Sta 0+00 Alternate 1, 2, 3, and 4
- Sta 0+79.5 Alt 3 and 4
- Sta 13+17.5 Alt 3 and 4
- Sta 14+01.8 Alternate 1, 2, 3, and 4

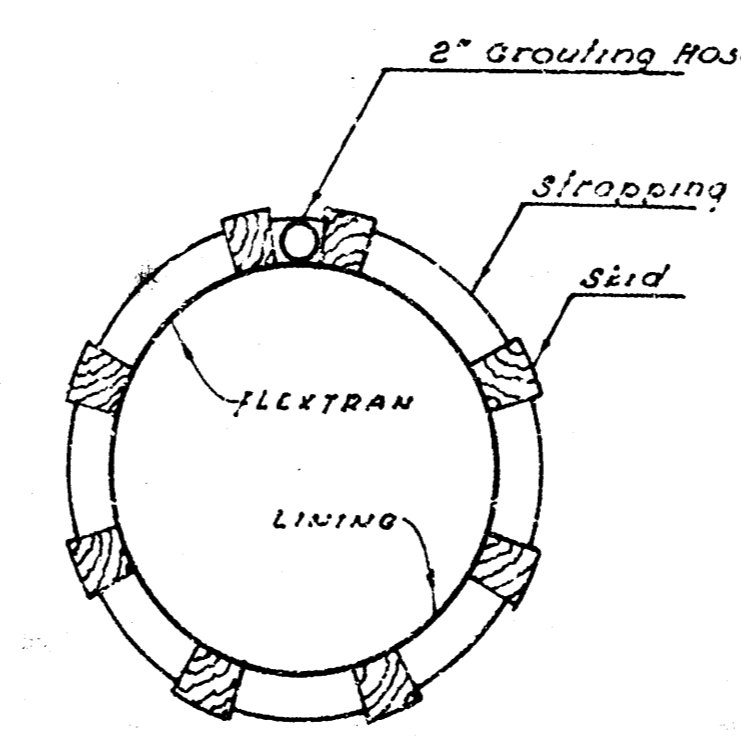
NOTE: contractor is to utilize Bell and Barrel Juncture between old & new pipe if at all possible.



Alternate No. 4 - 27' FLEXTRAN LINING DETAIL



NOTE: The leading or forward ends of the skids should be rounded as shown for "A" above. Skids should not be less than 8" shorter than the pipe being installed. Care should be taken to install the bottom skids parallel to the center of the pipe to prevent rolling of pipe in casing. Match skids for strapping. Strapping should be spaced according to diagram.



NOTE: 8" SKID SPACING except for two skids.