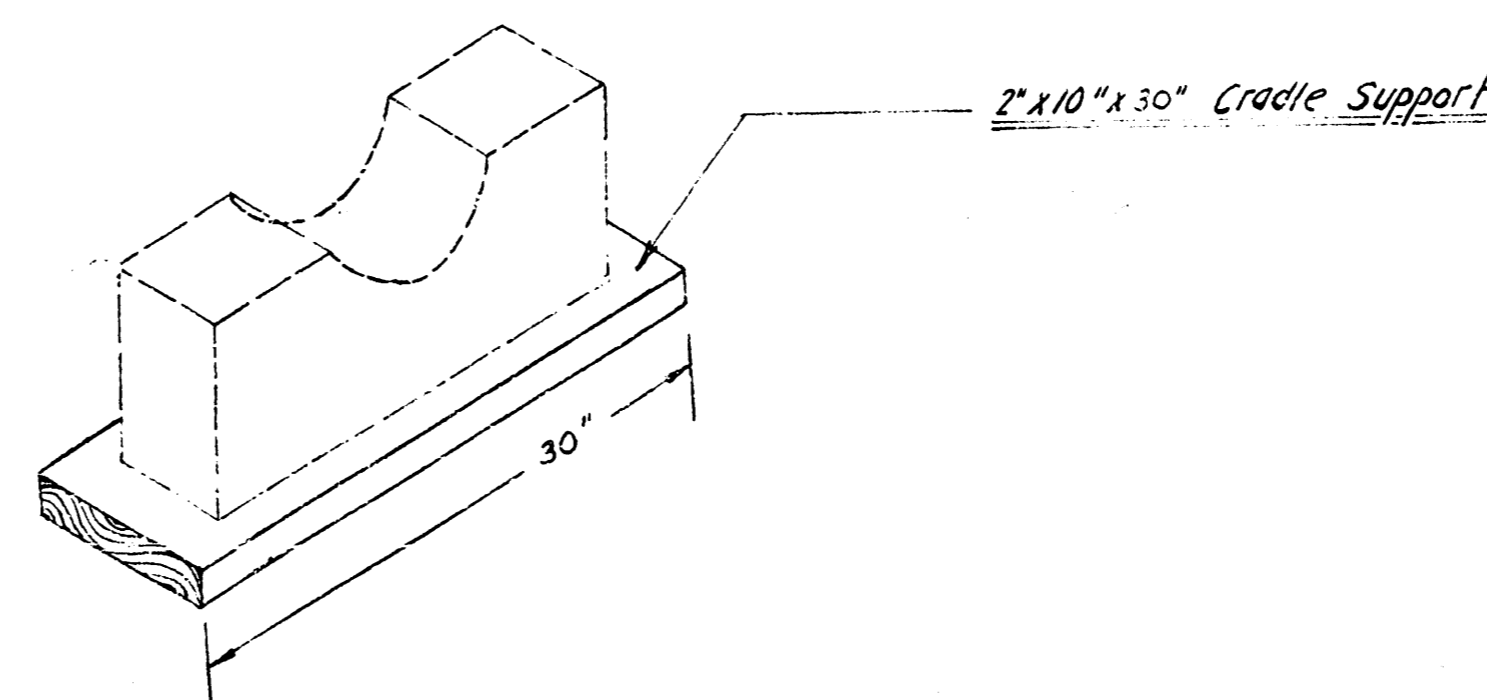
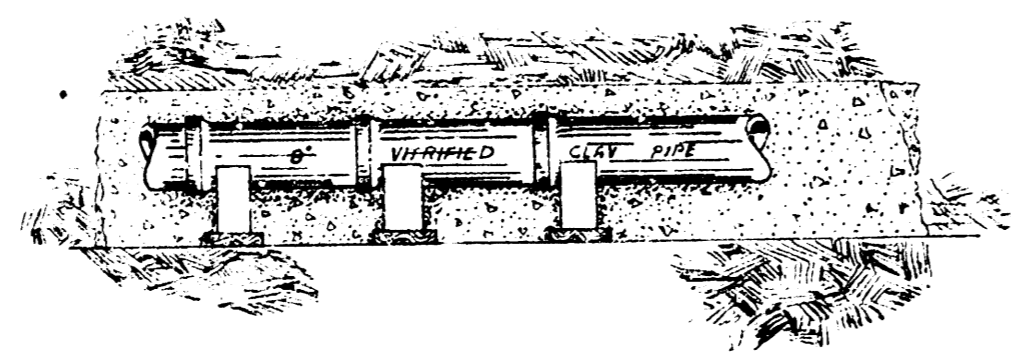
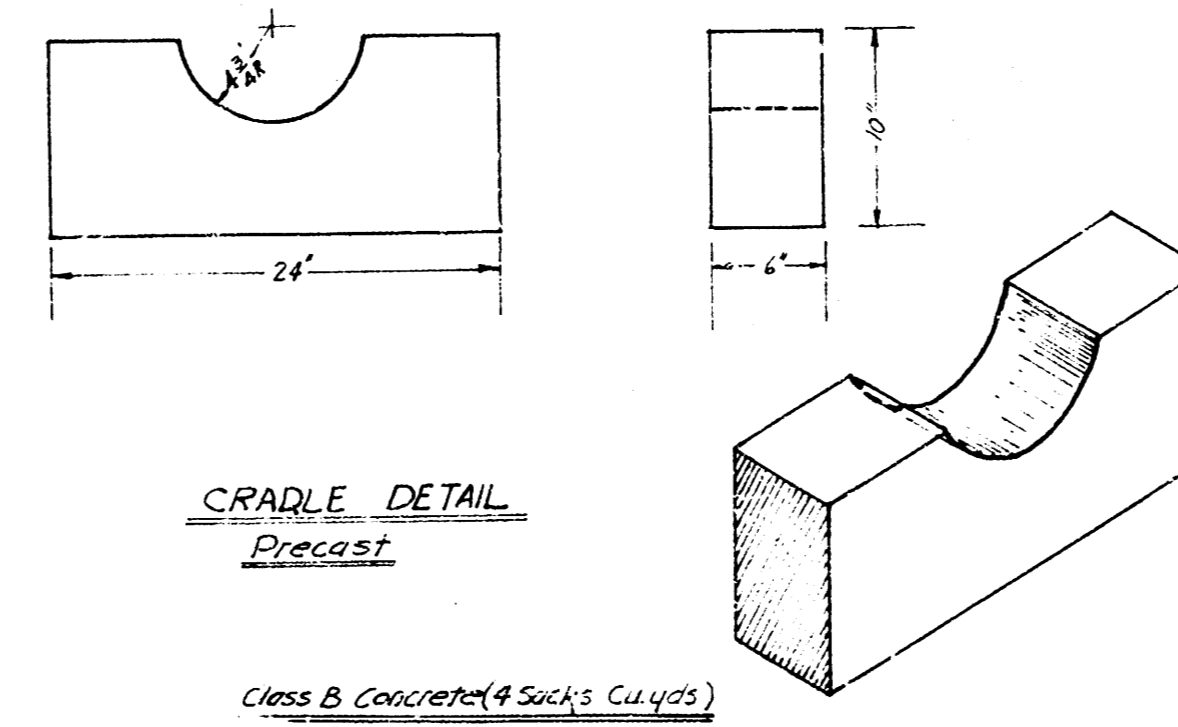
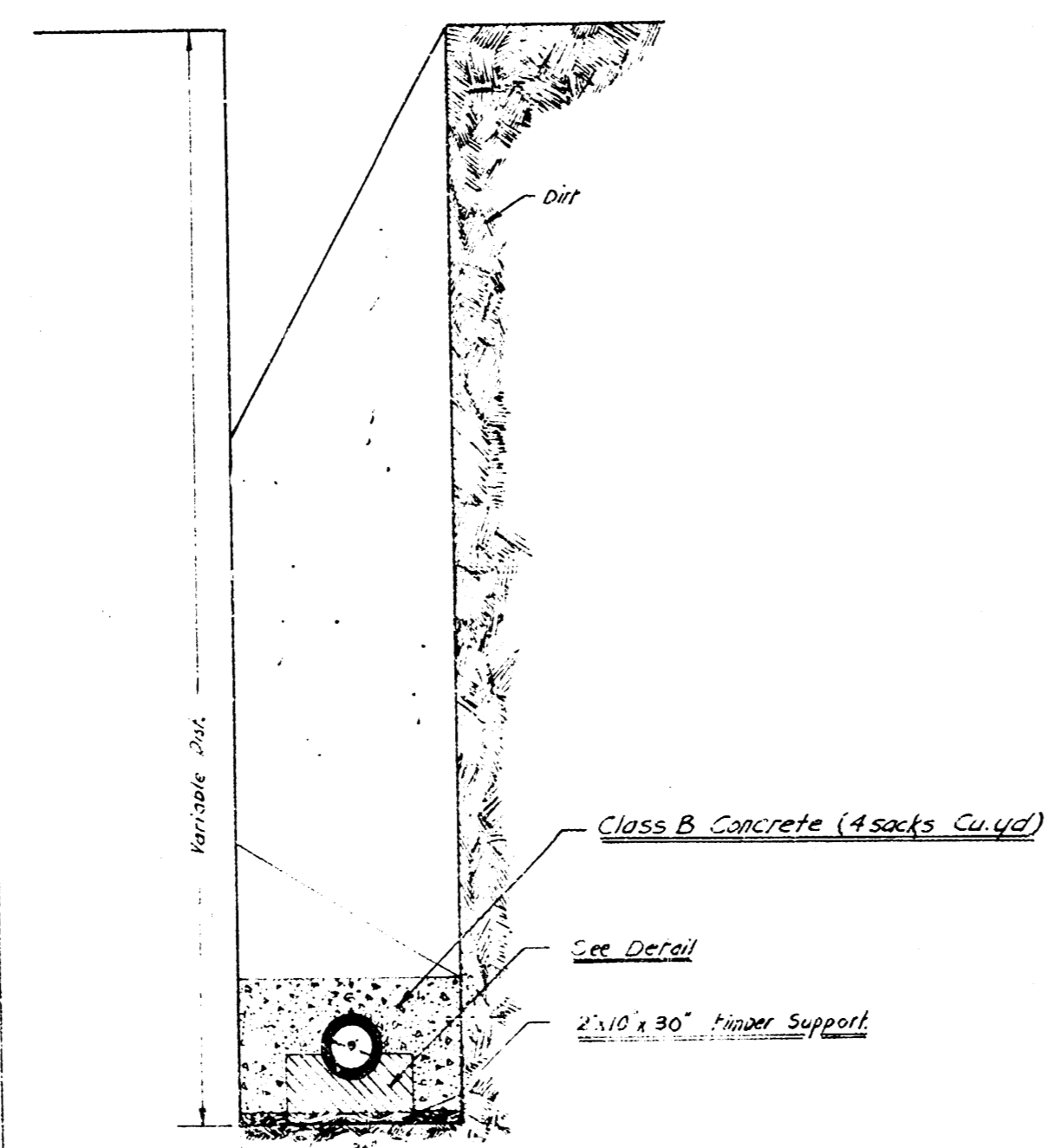
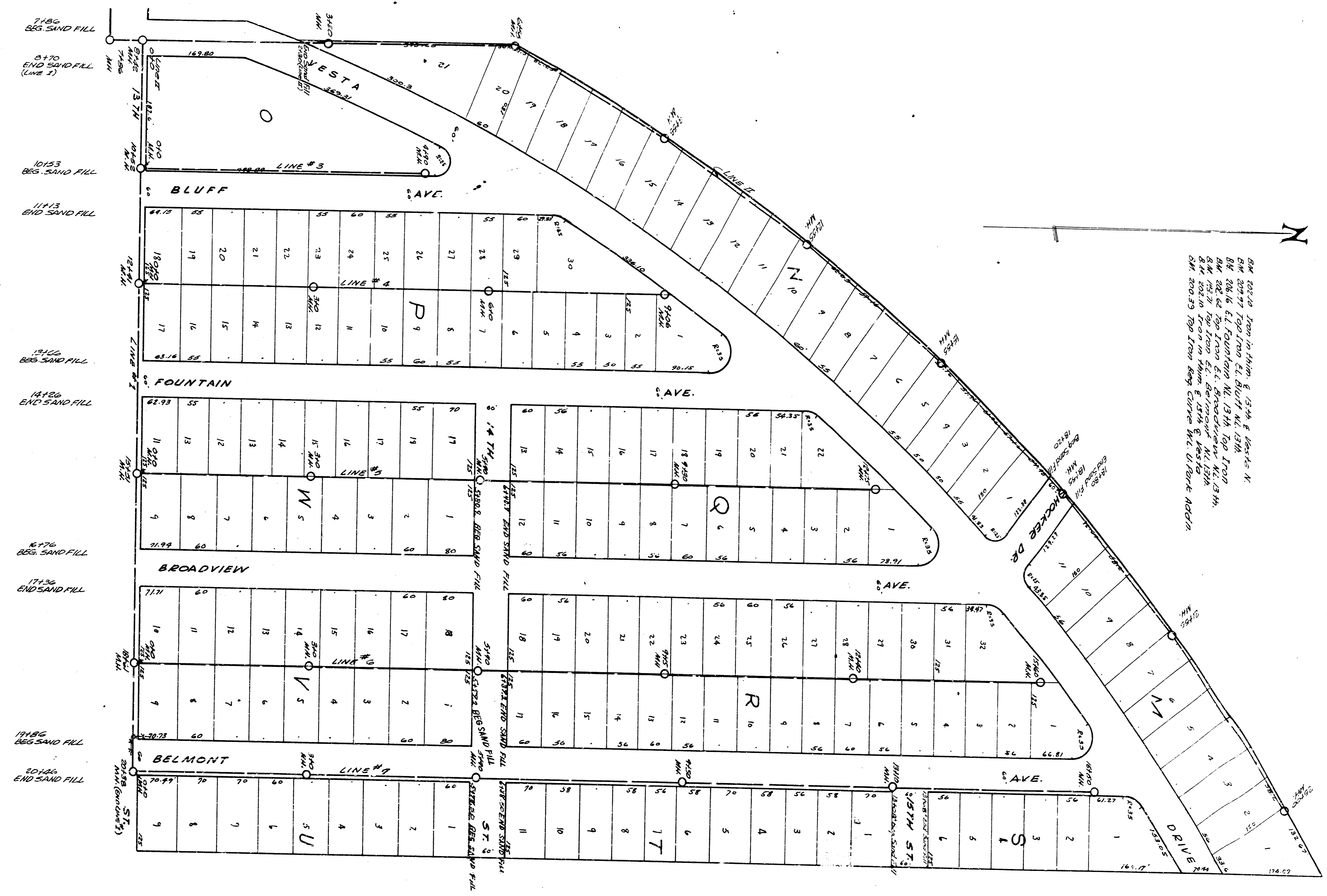
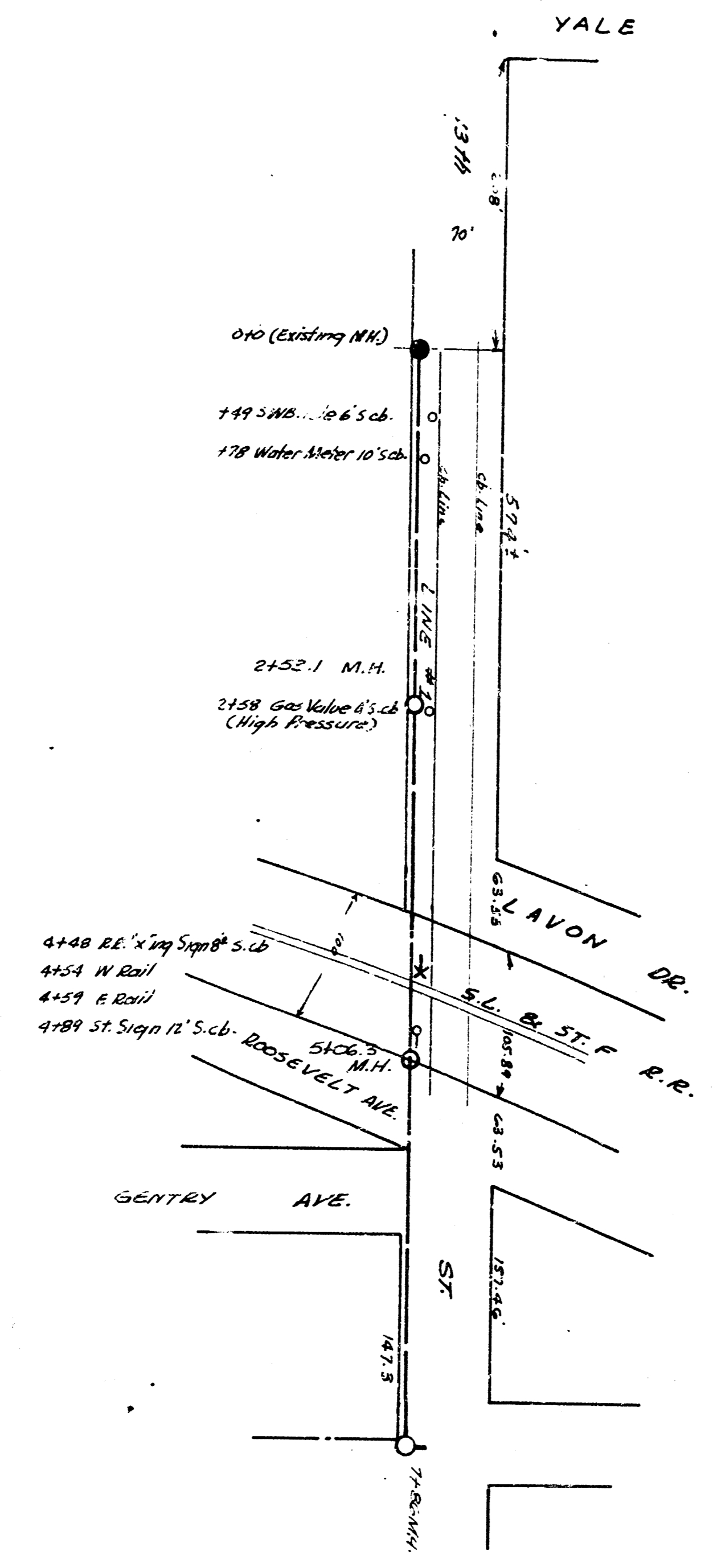


CLAY PIPE ENCASEMENT DETAIL

FROM Sta. 51063 to Sta. 18161
LATERAL 3, DISTRICT E, MAIN 12





5M 20212 Top to 14400 & 15244 & 15545 N.
 6M 20477 Top from 14400 to 15244 & 15545 N.
 6M 20616 E.L. Fountain W. 13th Top from
 6M 20864 Top from 61. Belmont W. 13th
 6M 21519 Top from 61. Belmont W. 13th
 6M 22023 Top from 61. Belmont W. 13th
 6M 22023 Top from 61. Belmont W. 13th

LAT. 3, DIST. E MAIN 12
 CITY OF WICHITA, KANSAS
 L.K. White City Engineer
 Feb. 1948 Proj. No.

