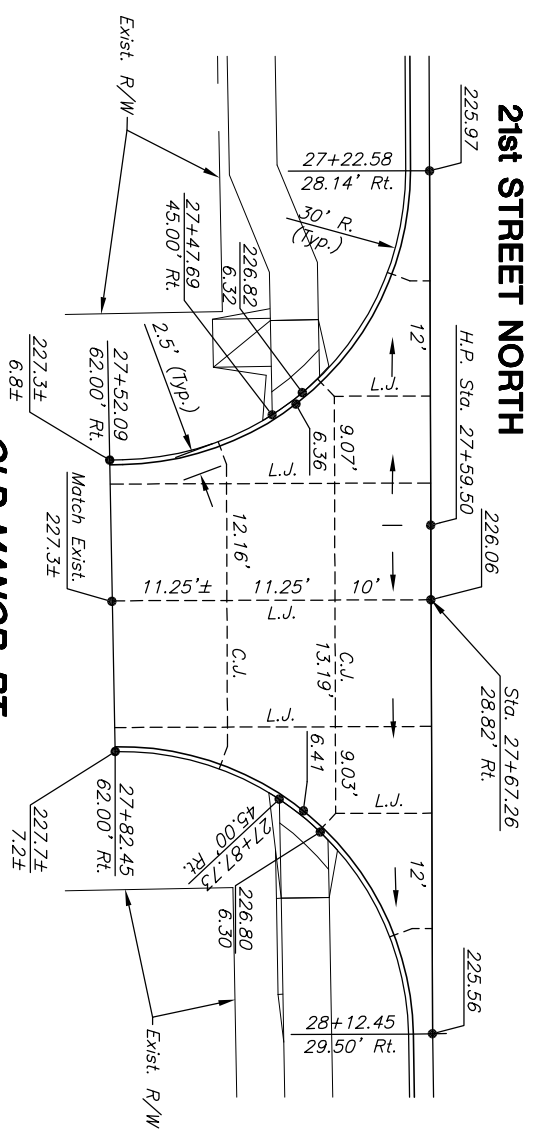
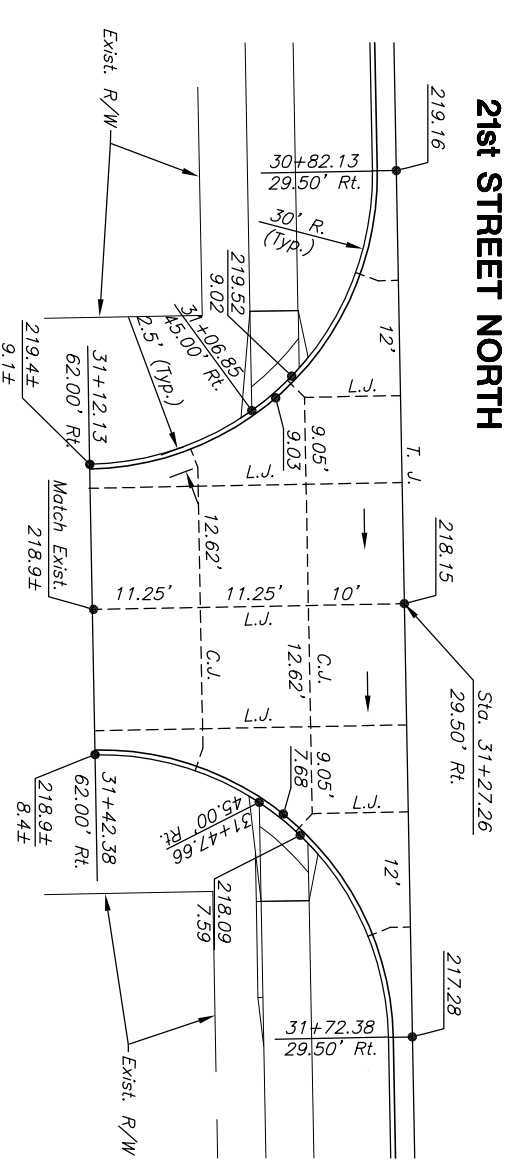


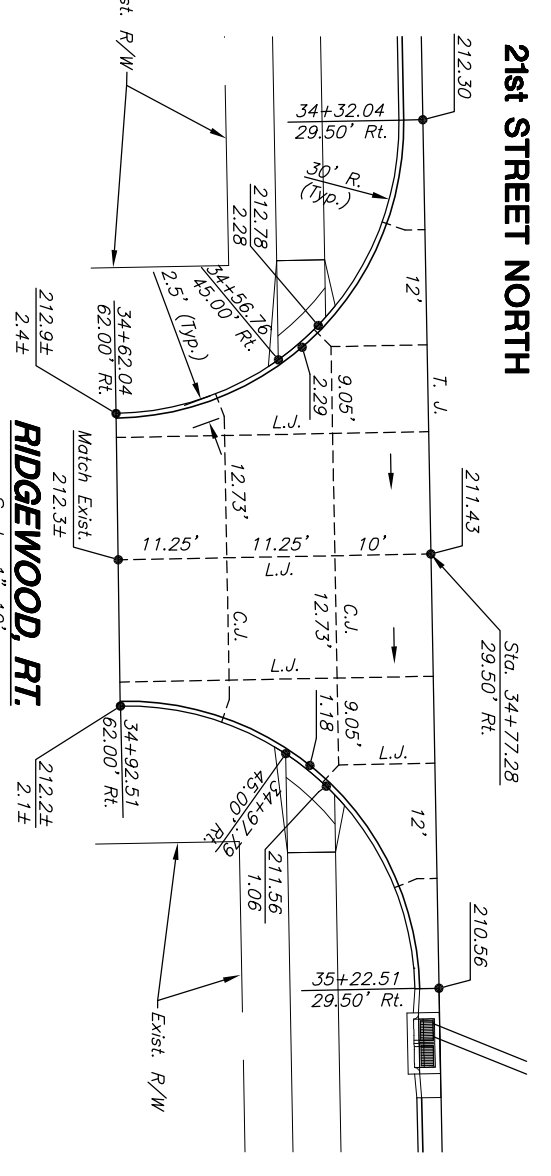
STATE	PROJECT NO.	YEAR	SHEET NO.	SHEETS
KANSAS	87 N-0190-01	2005	17	96



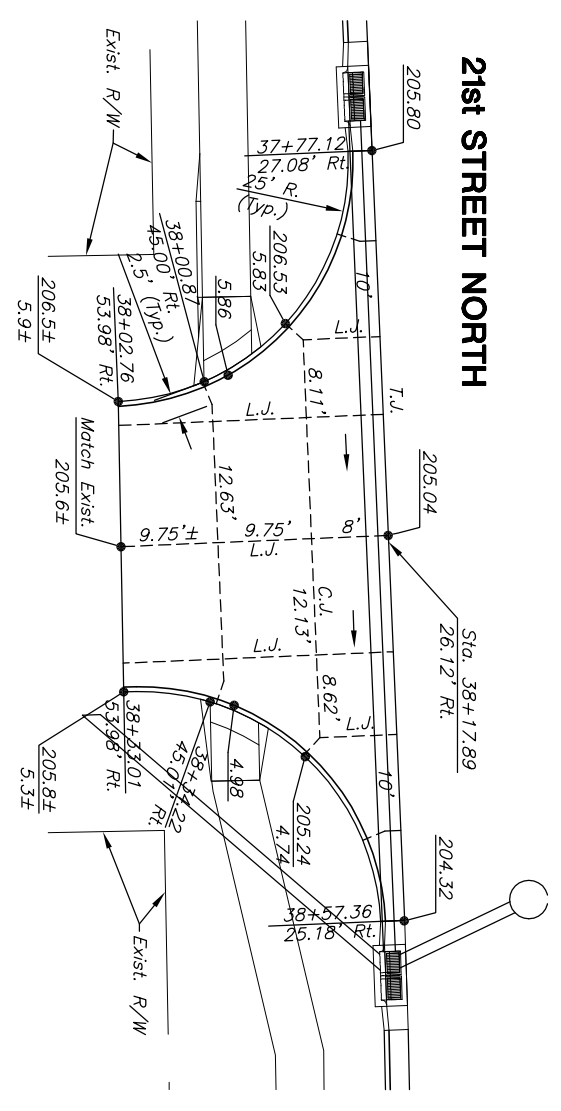
OLD MANOR, RT.
Scale: 1"=10'



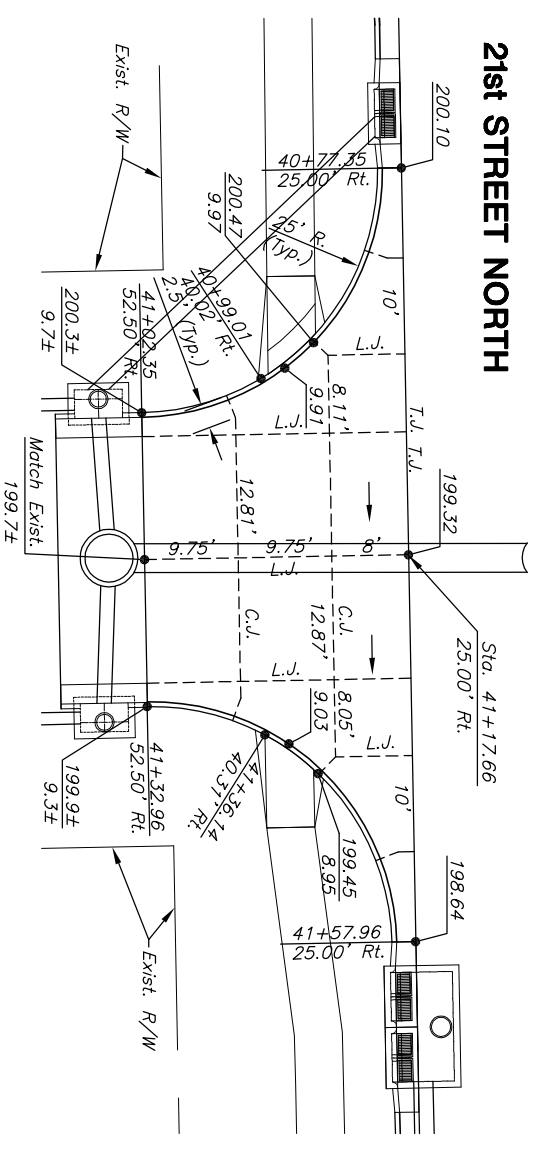
PARKWOOD, RT.
Scale: 1"=10'



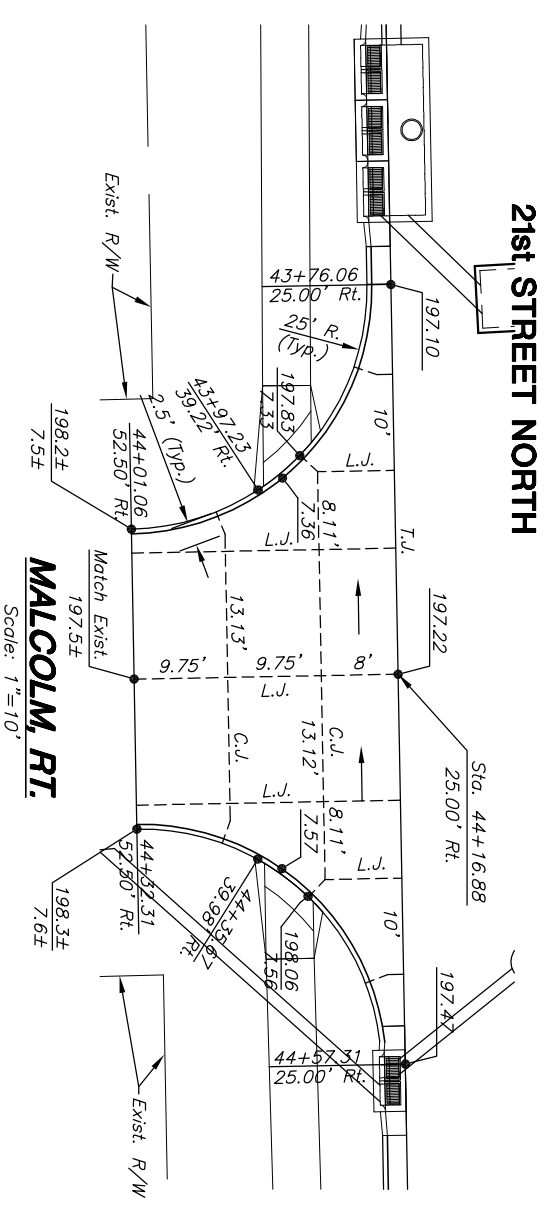
RIDGEWOOD, RT.
Scale: 1"=10'



LARKSPUR, RT.
Scale: 1"=10'



EDGEWOOD, RT.
Scale: 1"=10'



MALCOLM, RT.
Scale: 1"=10'

LEGEND

- C.J. Contraction Joint
- L.J. Longitudinal Joint
- I.J. Isolation Joint
- T.J. Tied Construction Joint
- D.E.J. Doweled Expansion Joint
- Valley Gutter Flow Location
- Back of Curb Elev.
- Flow Line Elev.

J:\CIVIL\041781\041781\DETAILS\041781.dwg 9/29/2005 8:49:51 AM CST

KANSAS DEPARTMENT OF TRANSPORTATION

21ST STREET NORTH IMPROVEMENTS
SIDEROAD PLANS

PROJECT NO. 87 N-0190-01 SEDGWICK CO.

M K E C ENGINEERING CONSULTANTS, INC.
WICHITA, KANSAS

DESIGNED BY: JJK	CHECKED BY: JJK
DRAWN BY: DPG	DATE: JULY 2004
	SHEET 17 OF 96