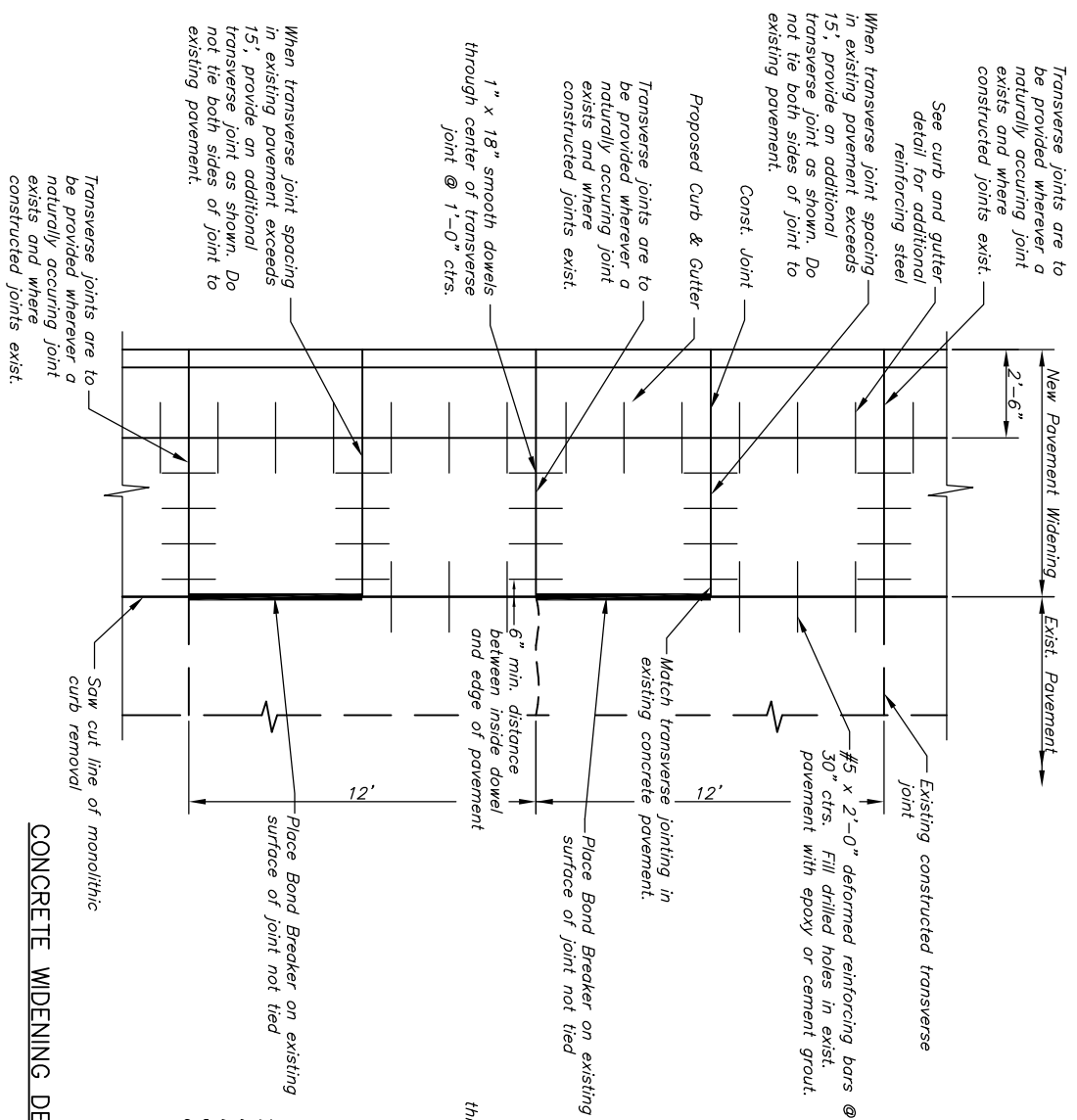
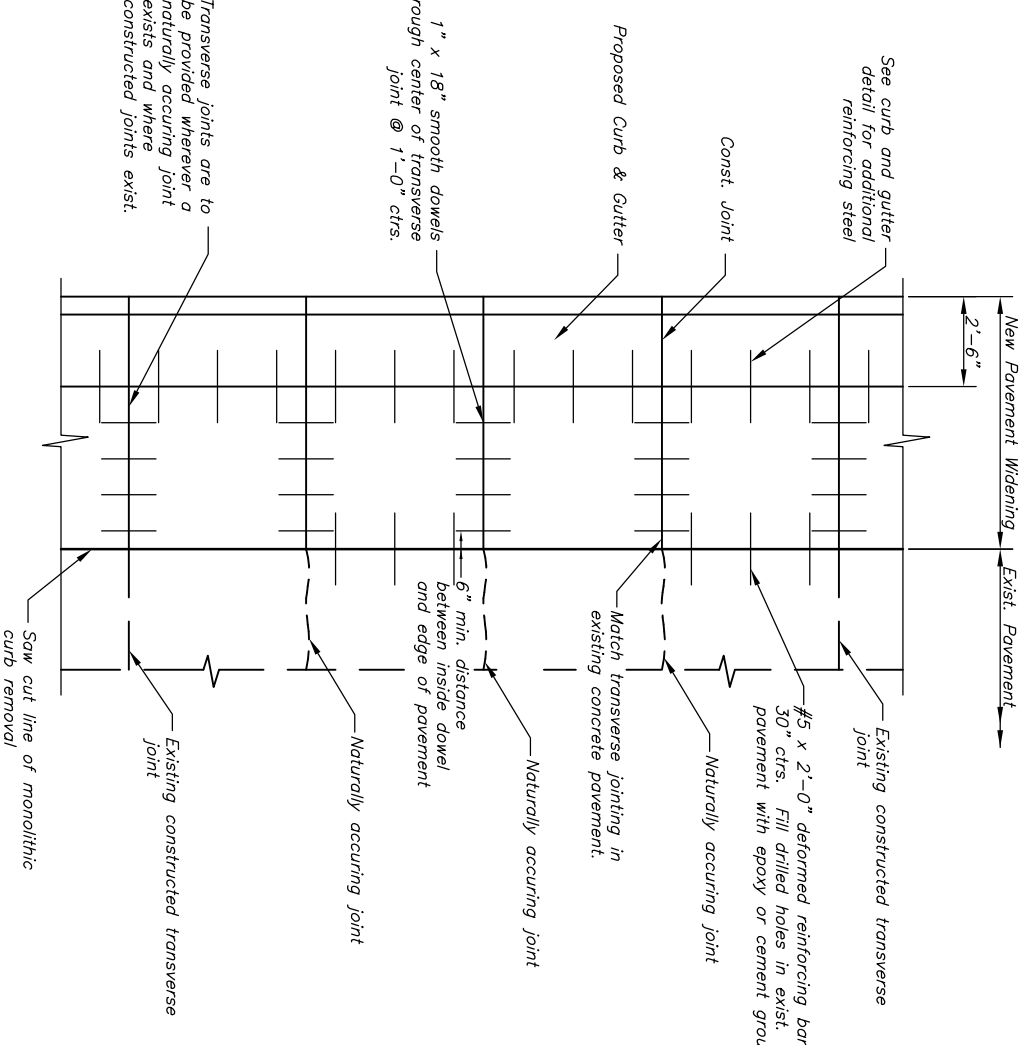


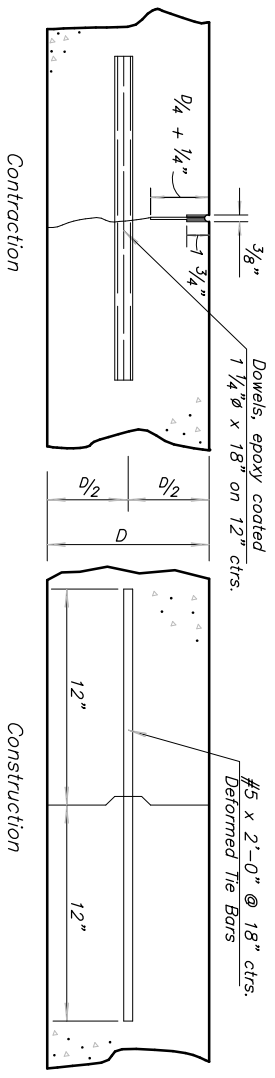
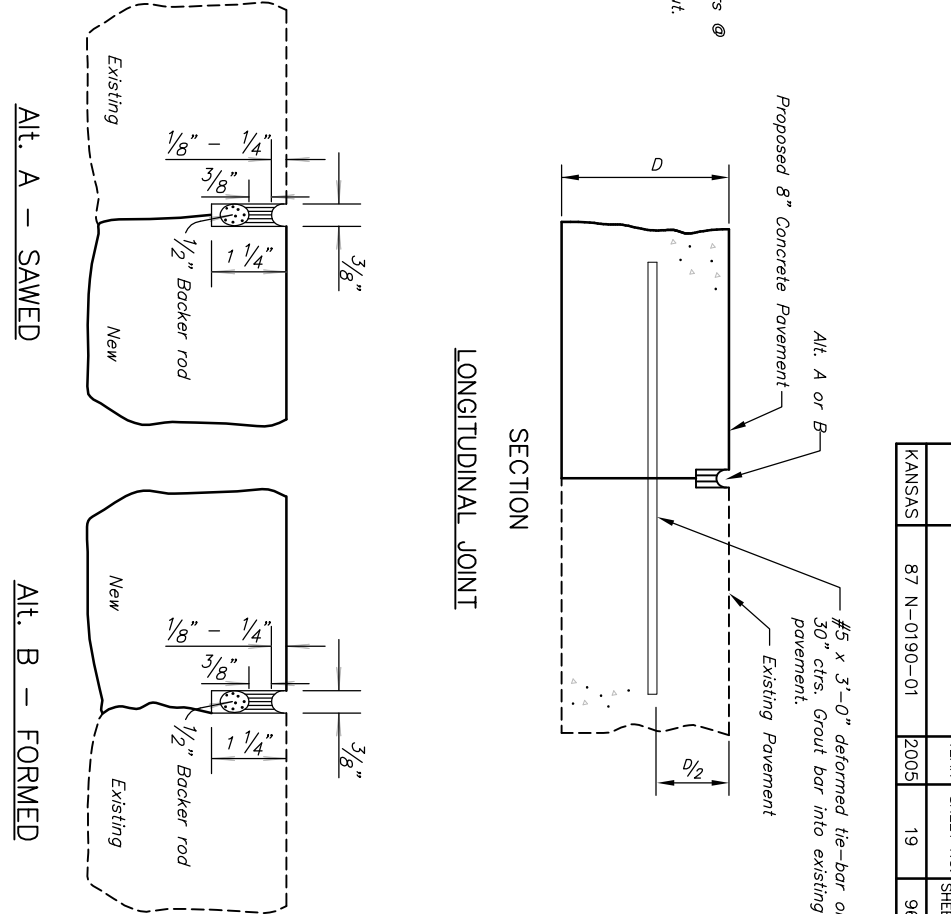
STATE	PROJECT NO.	YEAR	SHEET NO.	TOTAL SHEETS
KANSAS	87 N-0190-01	2005	19	96



CONCRETE WIDENING DETAIL



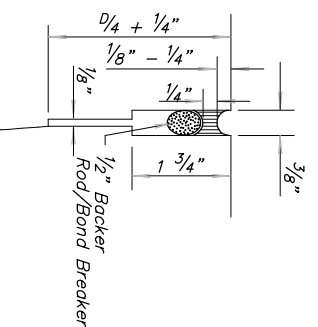
LONGITUDINAL JOINT



CONTRACTION

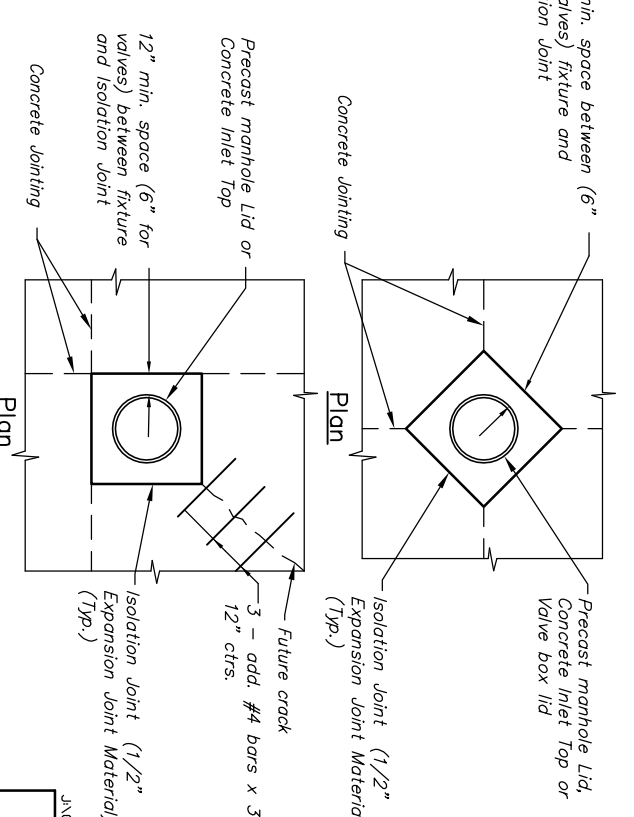
Note: Contraction joints will be constructed at the planned location or as directed by the Engineer. When necessary to interrupt continuous placement for a substantial length of time or at the end of a day's pour, the Contractor has the option of ending placement at a contraction joint or with a construction joint located a minimum of five (5) feet from a contraction joint. Either joint type may be constructed by placing a header at the end of the pour or by paving past the joint location, sawing the joint after the concrete has hardened, and drilling holes for the tie bars or dowels.

TRANSVERSE JOINTS



SAW JOINT DETAIL

The 1/8" saw cut (1/4 + 1/4" depth) shall be done initially; the 3/8" saw cut shall be accomplished in a separate operation after concrete has gained sufficient strength to avoid spalling as determined by the Engineer. At longitudinal construction joints where the adjacent slabs are at different elevations the depth of saw cut for the sealant reservoir should be measured from the top of the lower slab. This is to ensure that sufficient sealant is used in the joint.



TYPICAL UTILITY BOX-OUT DETAILS

Note: Contractor shall construct box-outs around all surface utility fixtures, as shown, when fixtures fall on or near concrete joints, or as directed by the Engineer. All other fixtures shall have an isolation joint or bond breaker between them and concrete pavement. Cost shall be Subsidiary.

J:\CIVIL\04178\040\DETAILS\04178ealawg_5/18/2005_10:41:38 AM CST
KANSAS DEPARTMENT OF TRANSPORTATION
21ST STREET NORTH IMPROVEMENTS
CONCRETE PAVEMENT WIDENING
 PROJECT NO. 87 N-0190-01 SEDGWICK CO.
M K E C ENGINEERING CONSULTANTS, INC.
 WICHITA, KANSAS

DESIGNED BY: JRA	CHECKED BY: JRA
DRAWN BY: WNU	DATE: 3/6/05
SHEET 19 OF 96	