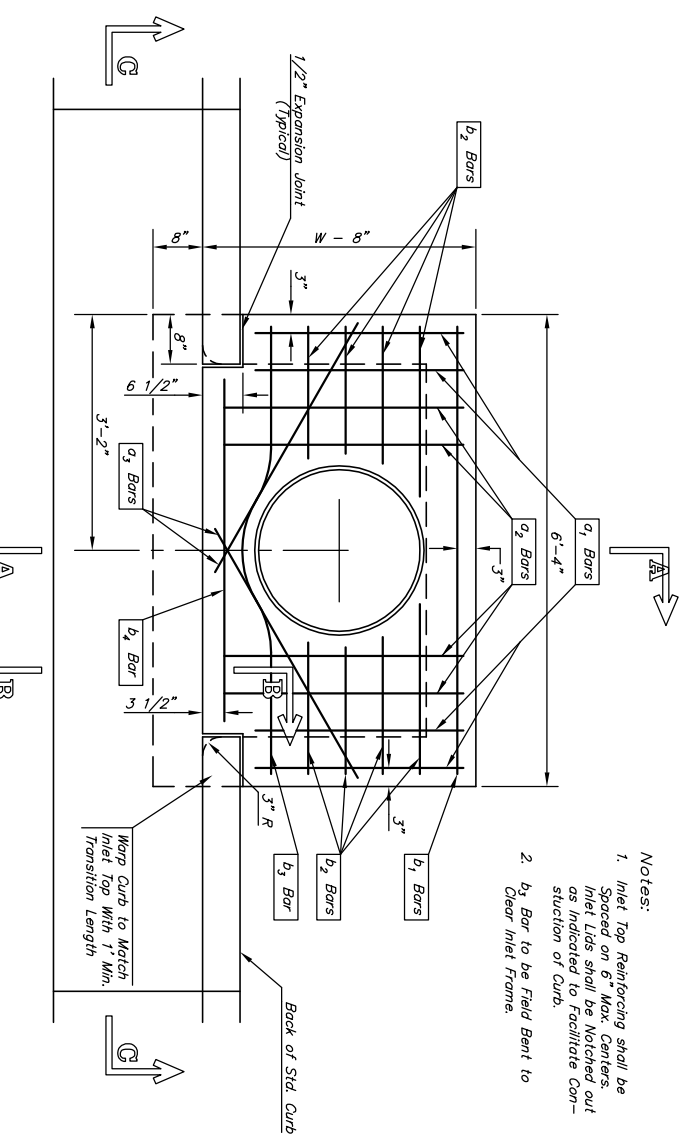
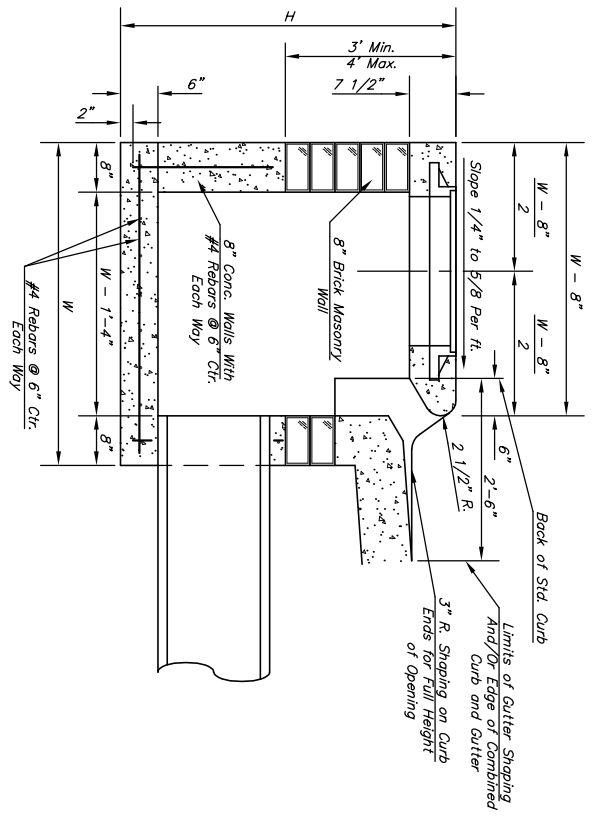


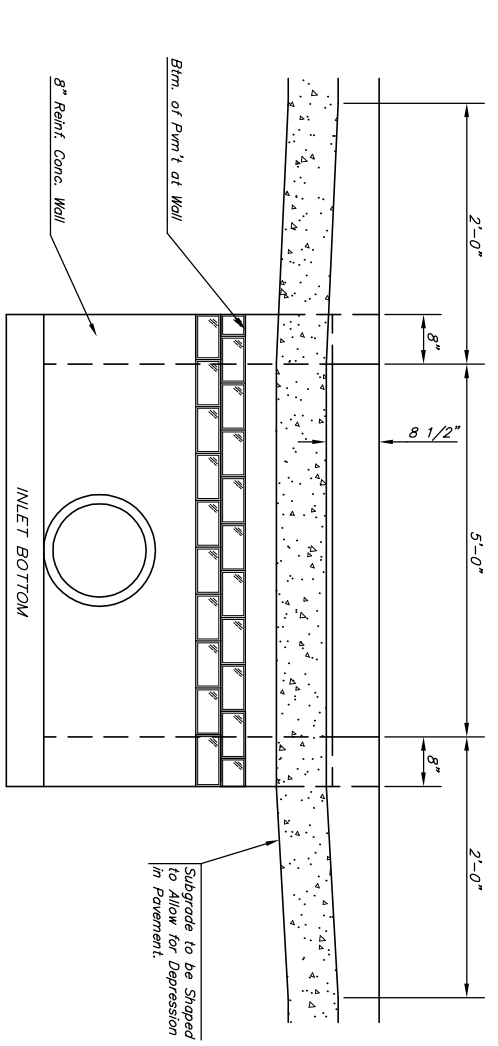
STATE	PROJECT NO.	YEAR	SHEET NO.	SHEETS
KANSAS	87 N-0190-01	2005	24	96



- Notes:
- Inlet Top Reinforcing shall be Spaced on 6" Max. Centers. Inlet Lids shall be Notched out as Indicated to Facilitate Construction of Curb.
 - b₅ Bar to be Field Bent to Clear Inlet Frame.



SECTION A-A



SECTION C-C

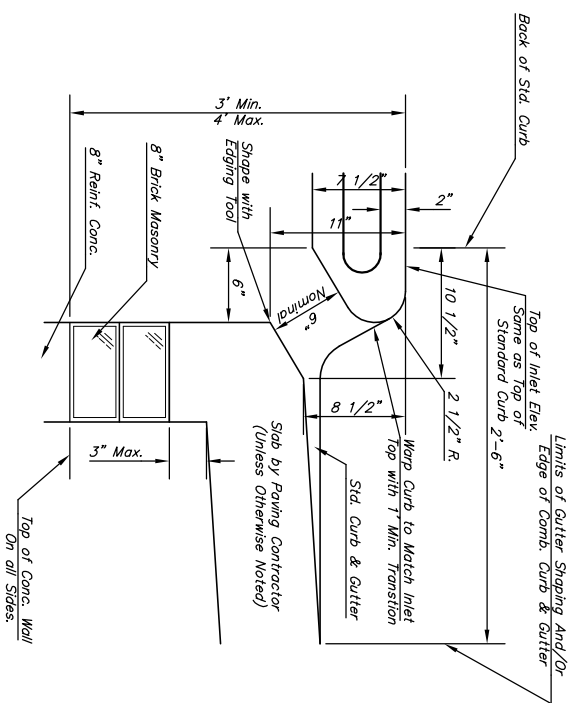
STEEL SCHEDULE

BAR	Q ₁	Q ₂	Q ₃	b ₁	b ₂	b ₃	b ₄	b ₅	WT. Lbs.
NUMBER	4	4	2	1	3	5	7	9	6
SIZE	#4	#4	#4	#4	#4	#4	#4	#4	#6
LENGTH	W=4'-4"	5'-7"	6'-7"	4'-0"	6'-1"	-	-	-	1'-9"
	W=5'-4"	7'-7"	8'-7"	5'-0"	6'-1"	-	-	-	1'-9"
	W=6'-4"	9'-7"	10'-7"	6'-0"	6'-1"	-	-	-	1'-9"
	W=7'-4"	11'-7"	12'-7"	7'-0"	6'-1"	-	-	-	1'-9"
	W=8'-4"	13'-7"	14'-7"	8'-0"	6'-1"	-	-	-	1'-9"
									6'-2"
									4'-8"
									141#

Note: q₃ Bars to be Placed Approx. 2" Below Top of Inlet Cover.

W	PRE-CAST TOP SIZE	PIPE SIZE	21" & SMALLER	24" & 30"	36" & 42"	48" & 54"	60" & 66"
4'-4"	3'-8" 6'-4" 7 1/2"	21" & SMALLER	0.384	0.514	0.644	0.774	0.904
5'-4"	4'-8" 6'-4" 7 1/2"	24" & 30"	0.384	0.514	0.644	0.774	0.904
6'-4"	5'-8" 6'-4" 7 1/2"	36" & 42"	0.384	0.514	0.644	0.774	0.904
7'-4"	6'-8" 6'-4" 7 1/2"	48" & 54"	0.384	0.514	0.644	0.774	0.904
8'-4"	7'-8" 6'-4" 7 1/2"	60" & 66"	0.384	0.514	0.644	0.774	0.904

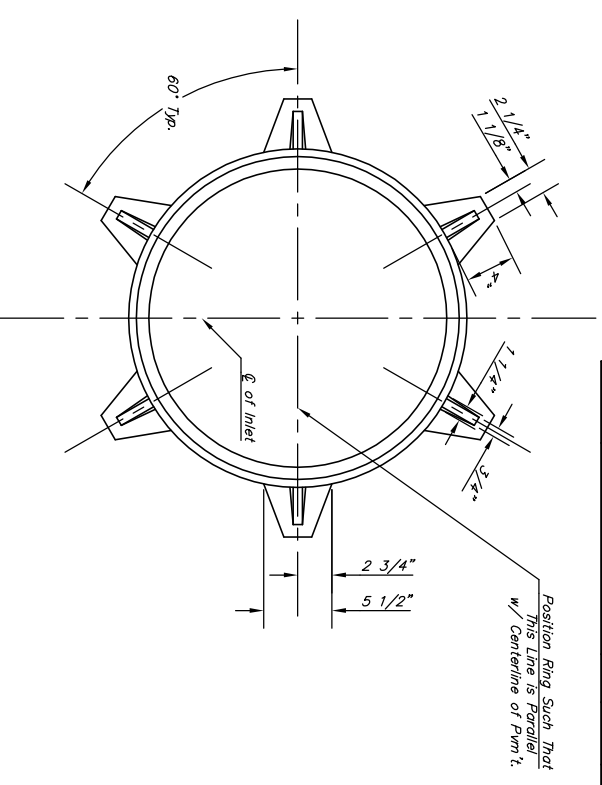
STANDARD CURB INLET PRECAST TOPS



SECTION B-B

GENERAL NOTES

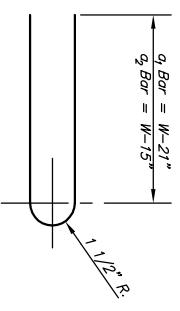
- Concrete tops to be installed on thin mortar cushion to insure full support along brick walls. Concrete tops may be cast in place or precast. Concrete used for inlet construction shall be concrete pavement mix.
- Contractor shall have the option of constructing 8" brick masonry walls between the concrete inlet base and top on this inlet when W=6'-4" and H=7'-0" or less.
- Inlet invert shall be shaped with 8 sack sand mix concrete to create flow channels and to increase hydraulic efficiency such that the inlet will be self cleaning between all inlet and/or outlet pipes.
- The ends of all pipes installed in inlets shall be cut off flush with the inside face of the inlet wall.



MANHOLE RING AND COVER

*See City of Wichita Standard Manhole Ring and Cover Detail Sheet for Cover Details to Be Used With Inlet Frame.

WT = 180 lbs.



BENDING DIAGRAM

J:\CWN\04178.dwg\DETAILS\Inlet_Type1.dwg 03/24/2005 09:24:51 AM CST
 KANSAS DEPARTMENT OF TRANSPORTATION
 STANDARD TYPE 1 CURB INLET
 OPENING = 6" x 5'-0"
 PROJECT NO. 87 N-0190-01 SEDGWICK CO.
 M K E C ENGINEERING CONSULTANTS, INC.
 WICHITA, KANSAS
 DESIGNED BY: RJA
 DRAWN BY: WJU
 CHECKED BY: RJA
 DATE: 2004
 SHEET 24 OF 96