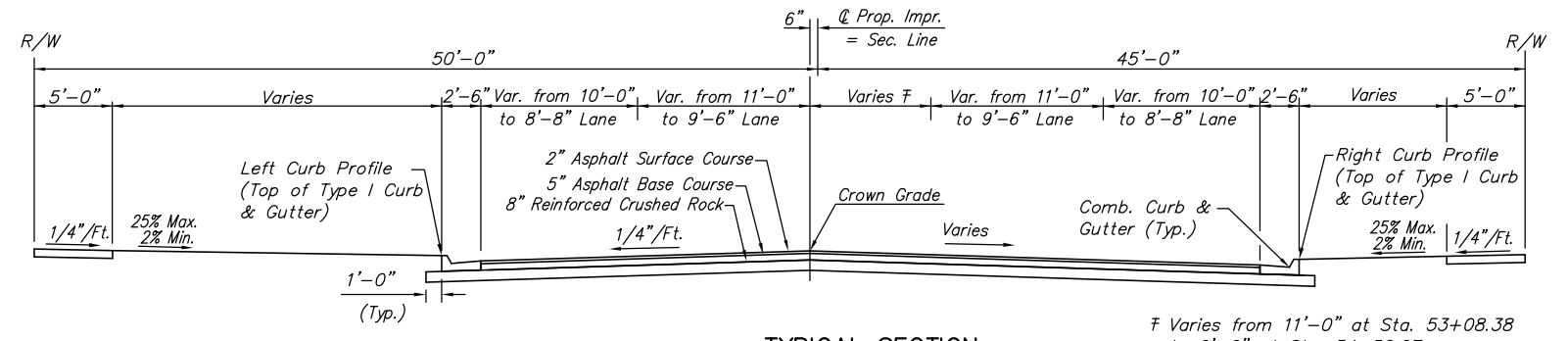
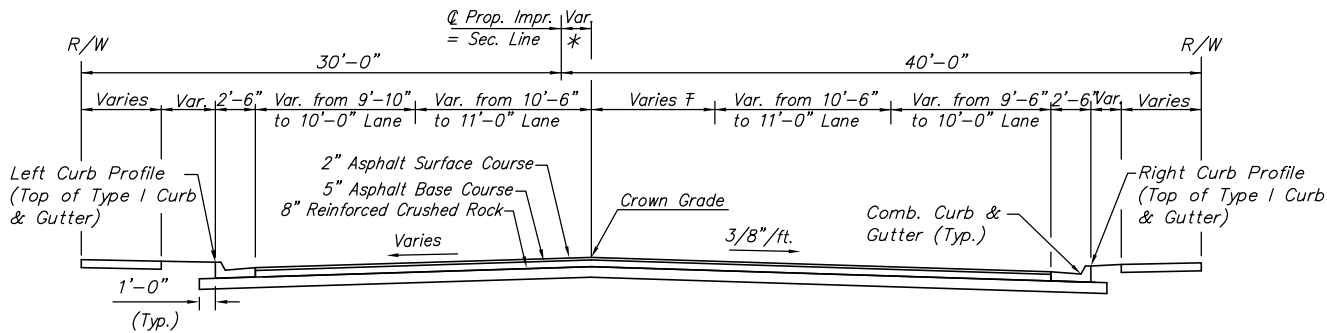


TYPICAL SECTION
STA. 45+30.28 TO STA. 45+54.76



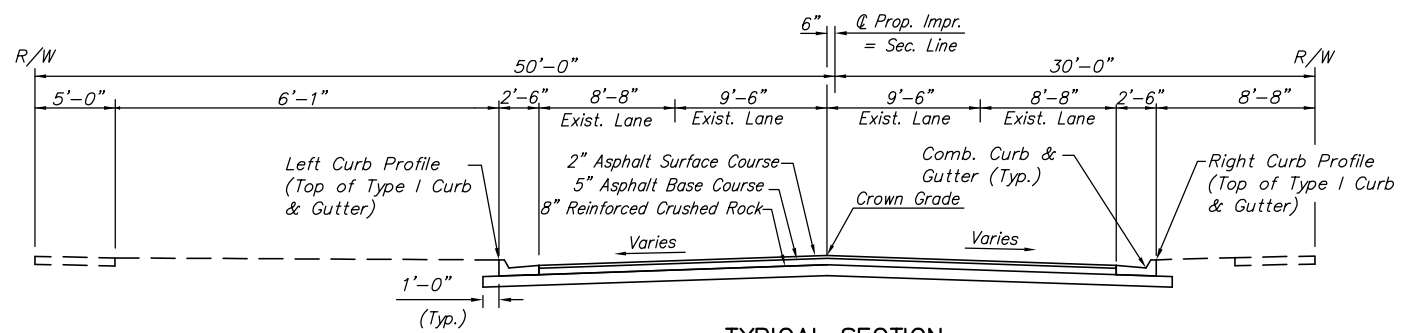
TYPICAL SECTION
STA. 53+08.38 TO STA. 54+52.27

F Varies from 11'-0" at Sta. 53+08.38 to 0'-0" at Sta. 54+52.27

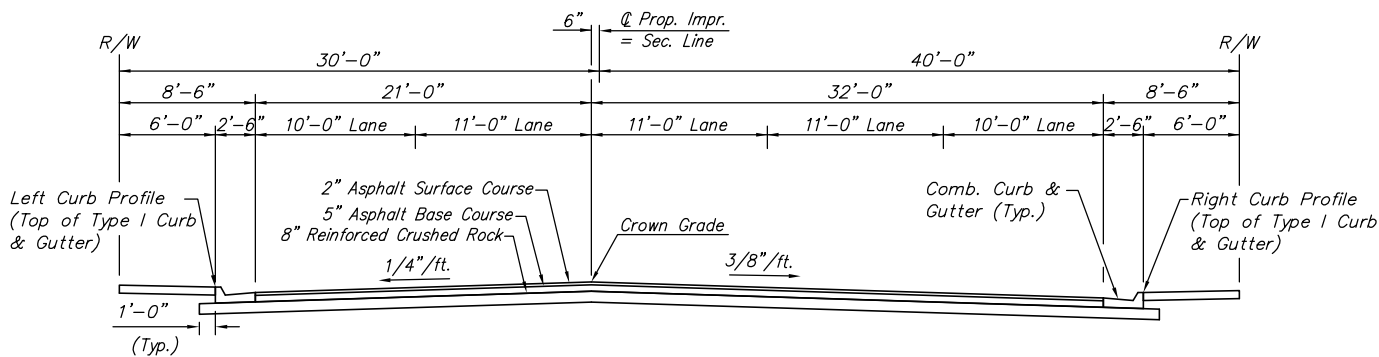


TYPICAL SECTION
STA. 45+54.76 TO STA. 46+94.76

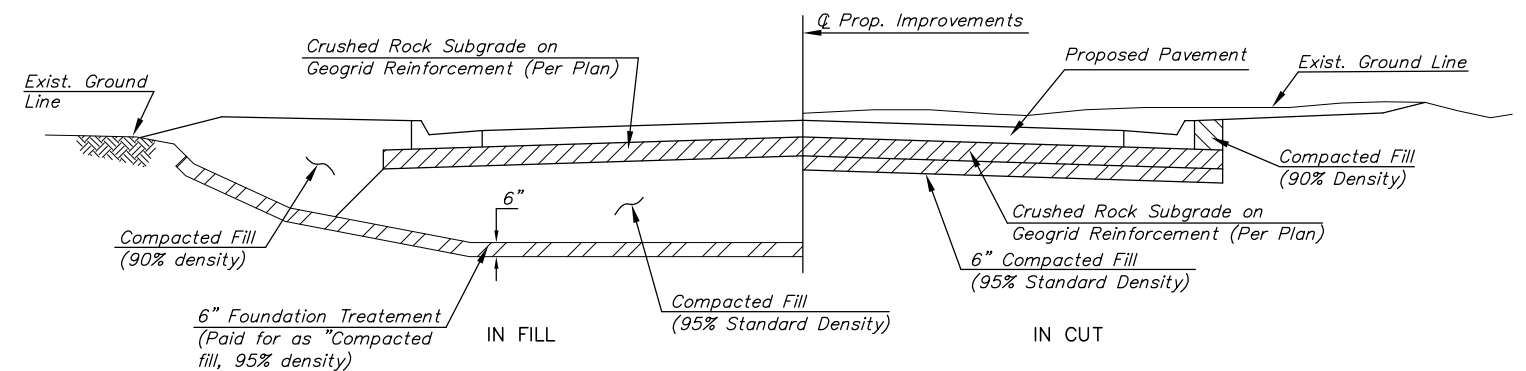
* Varies from 3'-10" Rt. at Sta. 45+54.76 to 0'-6" Lt. at Sta. 46+94.76
F Varies from 0'-0" at Sta. 45+54.76 to 11'-0" at Sta. 46+94.76



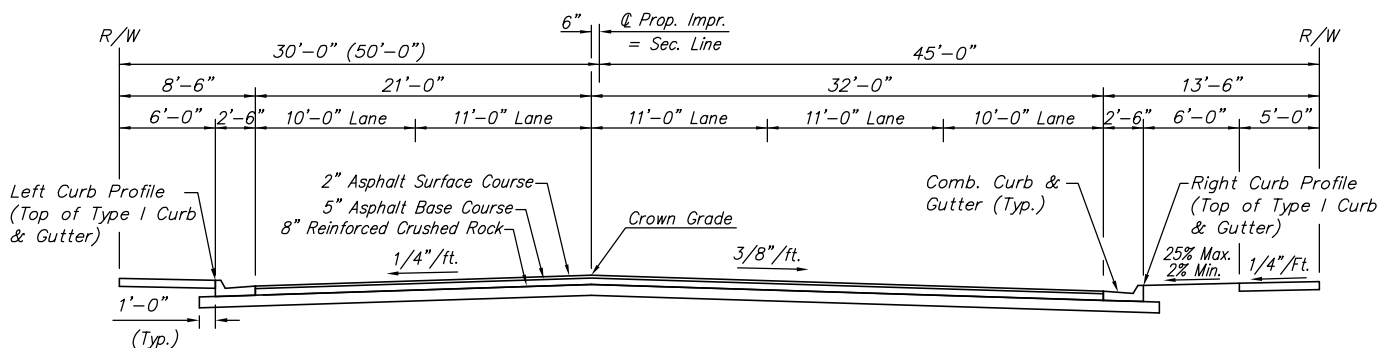
TYPICAL SECTION
STA. 54+52.27 TO STA. 54+85.64



TYPICAL SECTION
STA. 46+94.76 TO STA. 49+26.74



FOUNDATION TREATMENT AND COMPACTION OF EARTHWORK



TYPICAL SECTION
STA. 50+80.74 TO STA. 53+08.38

J:\Civil\05709\dwg\pav\05709TYP.dwg 01/29/2007 10:58:07 AM CST



CENTRAL AND OLIVER INTERSECTION
PROJECT NAME
STREET IMPROVEMENT PLAN
TYPICAL SECTIONS
SHEET TITLE
JRA DESIGN BY. JSB DRAWN BY. JRA CHECKED BY.
JAN. 2007 DATE 05709 JOB NO. 3 / 68 SHEET/OF