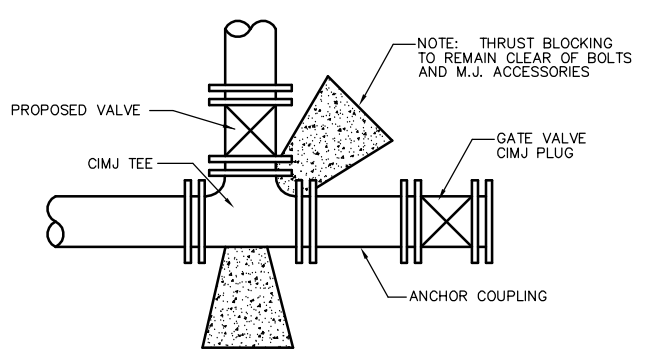


REINFORCED CONCRETE ENCASEMENT OF SANITARY SEWER

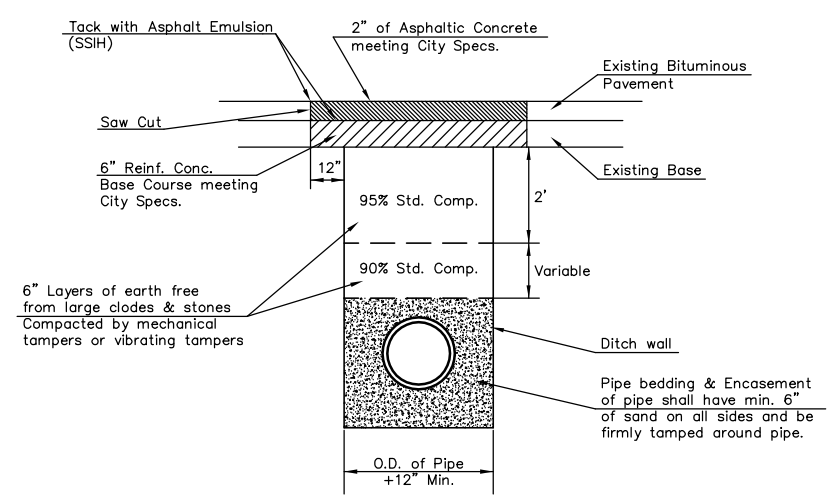
PIPE SIZE	THRUST AT FITTINGS IN TONS-AT 150#/IN ² P					
	PLUG	90°	45°	22 1/2°	11 1/4°	TEE
6"	2.8	3.95	2.15	1.09	.55	2.8
8"	4.9	6.95	3.75	1.90	.96	4.9
12"	11.4	16.1	8.75	4.45	2.25	11.4
16"	20.15	28.5	15.4	7.85	3.95	20.15
20"	31.15	44.0	23.85	12.15	6.10	31.15
24"	44.55	63.0	34.1	17.4	8.75	44.55

TYPICAL THRUST BLOCKS



KEY BLOCK DETAIL

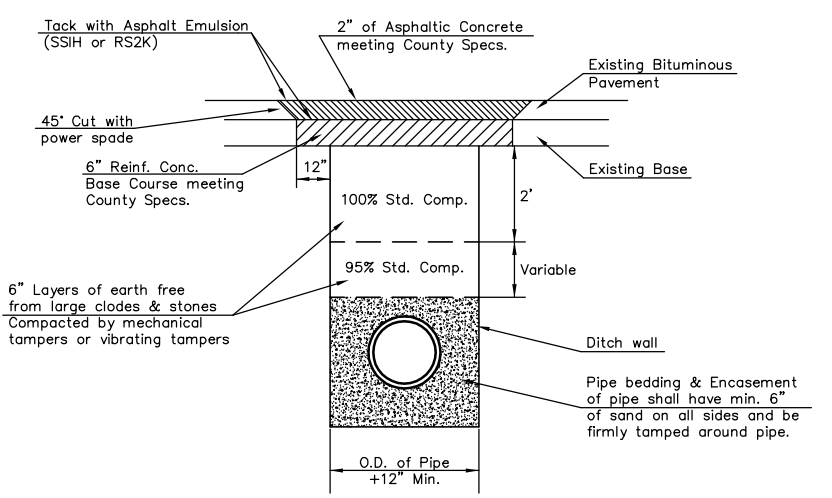
SETTLEMENT & COMPACTION ON CITY AND COUNTY ROAD RIGHT-OF-WAY EXCEPT UNDER PAVEMENT



Standard Density Test, as described in the latest addition of ASTM D698, shall be performed to verify the above requirements to the Satisfaction of the Sedgwick County Director of Public Works. All testing cost shall be included in the unit price bid for the pipe in place.

When laying under paving, parallel with the centerline of the street, a minimum of one (1) Standard Density Test shall be performed on each 300 lineal feet of ditch.

PAVEMENT REPLACEMENT & DITCH COMPACTION UNDER EXISTING AND PROPOSED CITY ROADS



Standard Density Test, as described in the latest addition of ASTM D698, shall be performed to verify the above requirements to the Satisfaction of the Sedgwick County Director of Public Works. All testing cost shall be included in the unit price bid for the pipe in place.

When laying under paving, parallel with the centerline of the street, a minimum of one (1) Standard Density Test shall be performed on each 300 lineal feet of ditch.

PAVEMENT REPLACEMENT & DITCH COMPACTION UNDER EXISTING AND PROPOSED COUNTY ROADS

REVISED APR 97

THE CITY OF WICHITA

VARIOUS WATER DETAILS

JIM ARMOUR, P.E. - CITY ENGINEER

CITY ENGINEER'S OFFICE
CITY HALL - SEVENTH FLOOR
455 NORTH MAIN STREET
WICHITA, KANSAS 67202
(316) 268-4501
(316) 268-4114 FAX

PROJECT NUMBER: 472-84362 INDEX CODE: XXXXXX

DATE: MAR 96 SHEET 36 OF 68