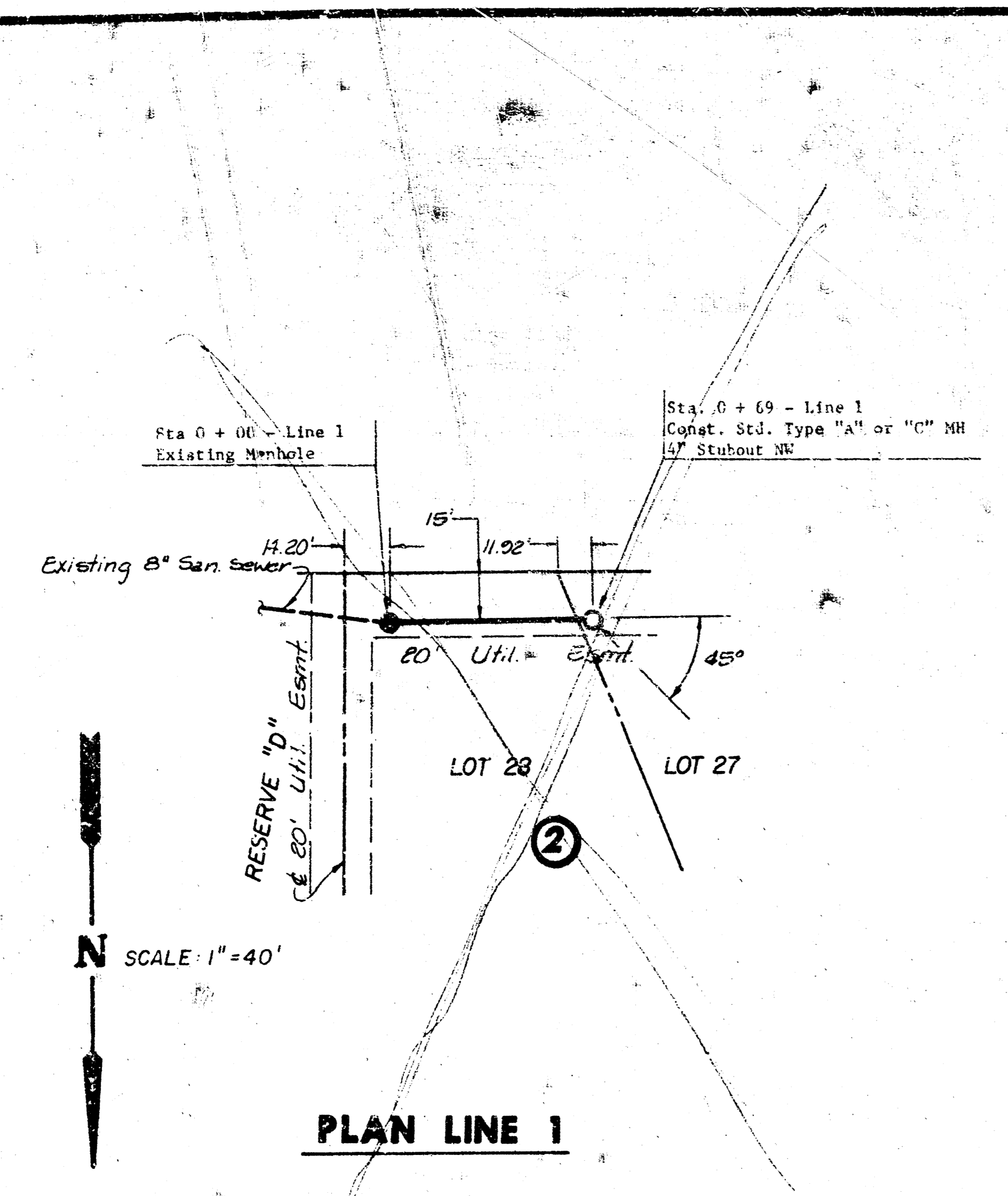
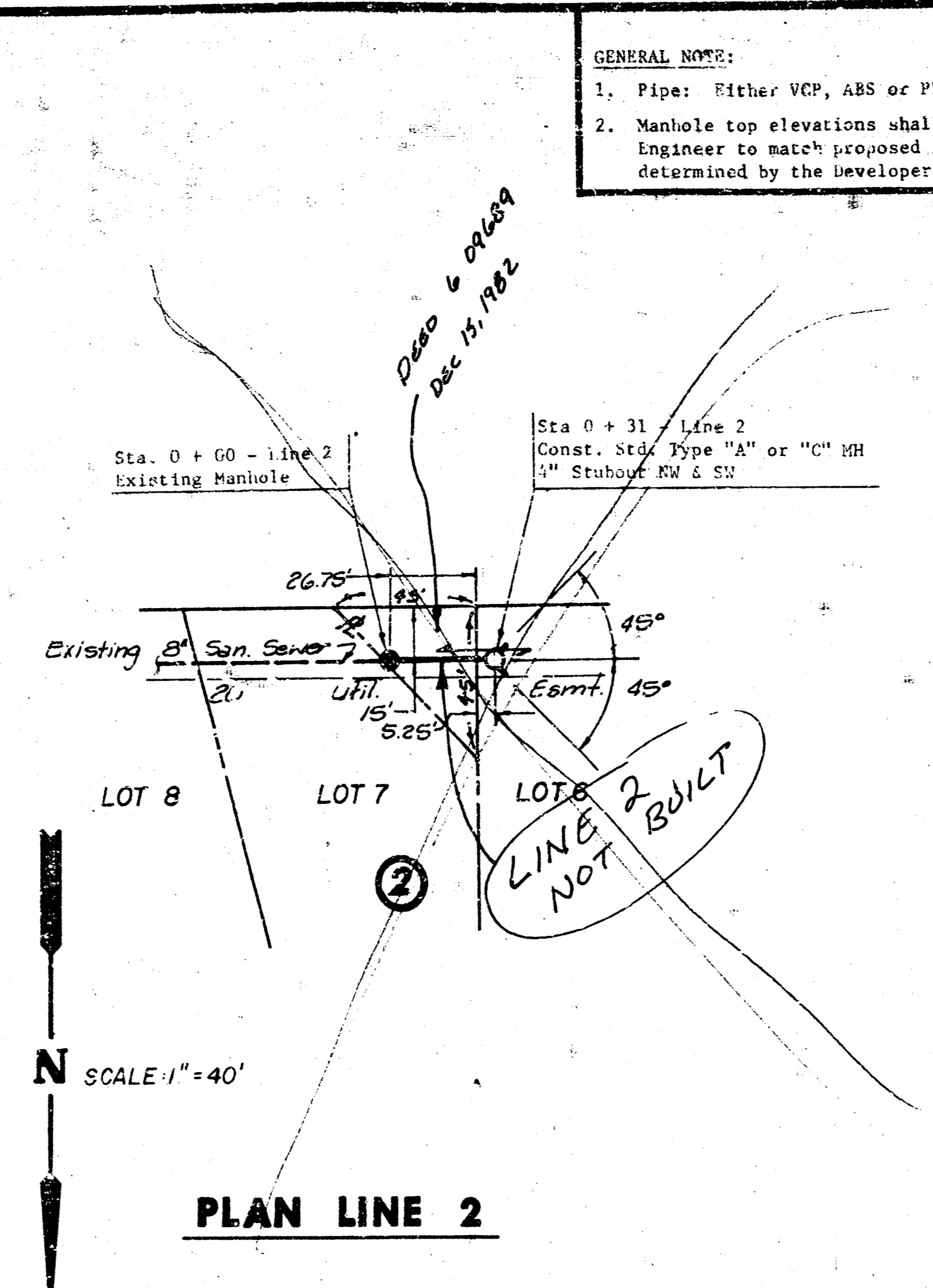


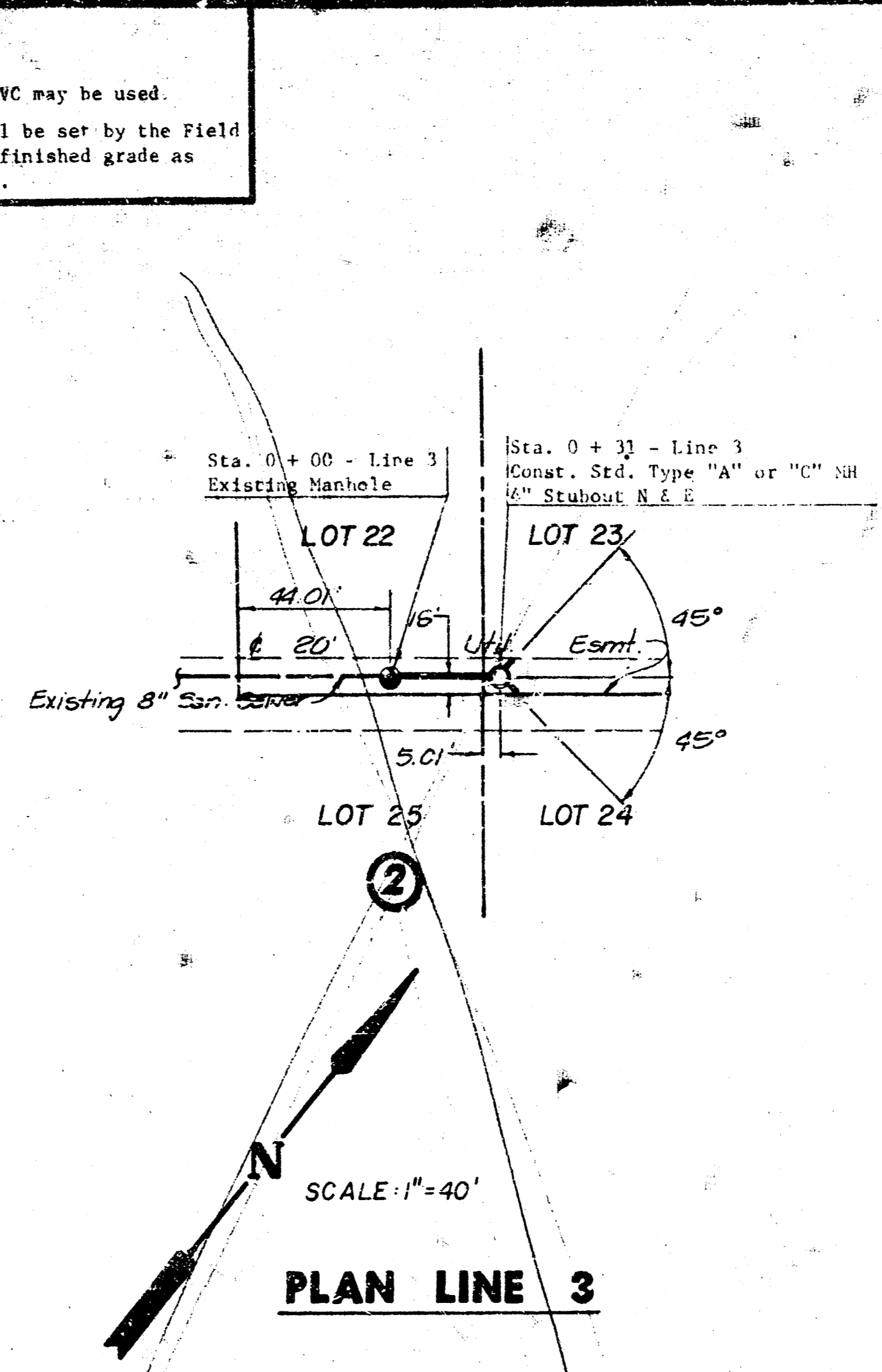
GENERAL NOTES:
 1. Pipe: Either VCP, ABS or PVC may be used.
 2. Manhole top elevations shall be set by the Field Engineer to match proposed finished grade as determined by the Developer.



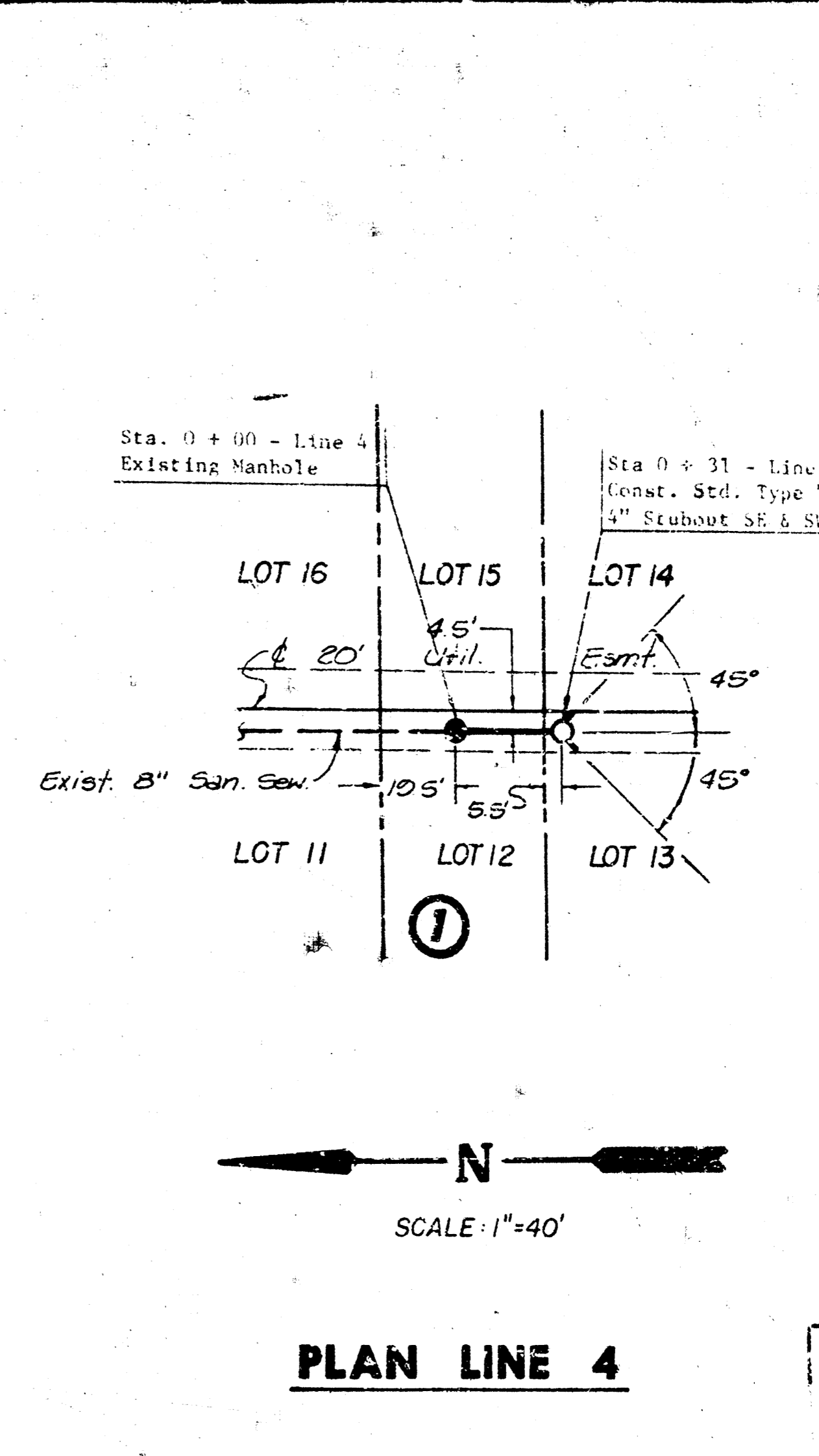
PLAN LINE 1



PLAN LINE 2



PLAN LINE 3

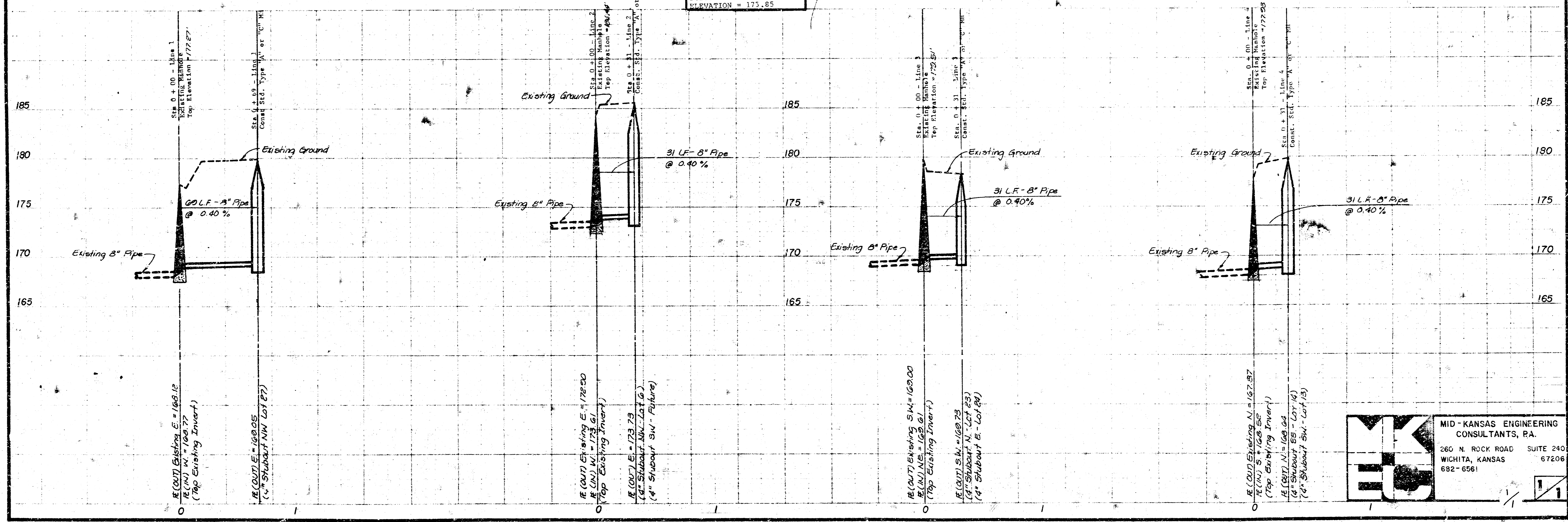


PLAN LINE 4

NOTE TO CONTRACTOR
 This project will be constructed under the supervision of the CITY ENGINEER and shall conform to the PLANS of the CITY of WICHITA. THE CONTRACTOR SHALL BE RESPONSIBLE for all costs of inspection.

APPROVED AS NOTED
 WICHITA, KANSAS
 67206

U.M. "□" in E. end of N headwall of RCB 49'W, 17' N of Woodlawn & 29th Street ELEVATION = 175.85



MID-KANSAS ENGINEERING CONSULTANTS, P.A.
 260 N. ROCK ROAD SUITE 240
 WICHITA, KANSAS 67206
 682-6561