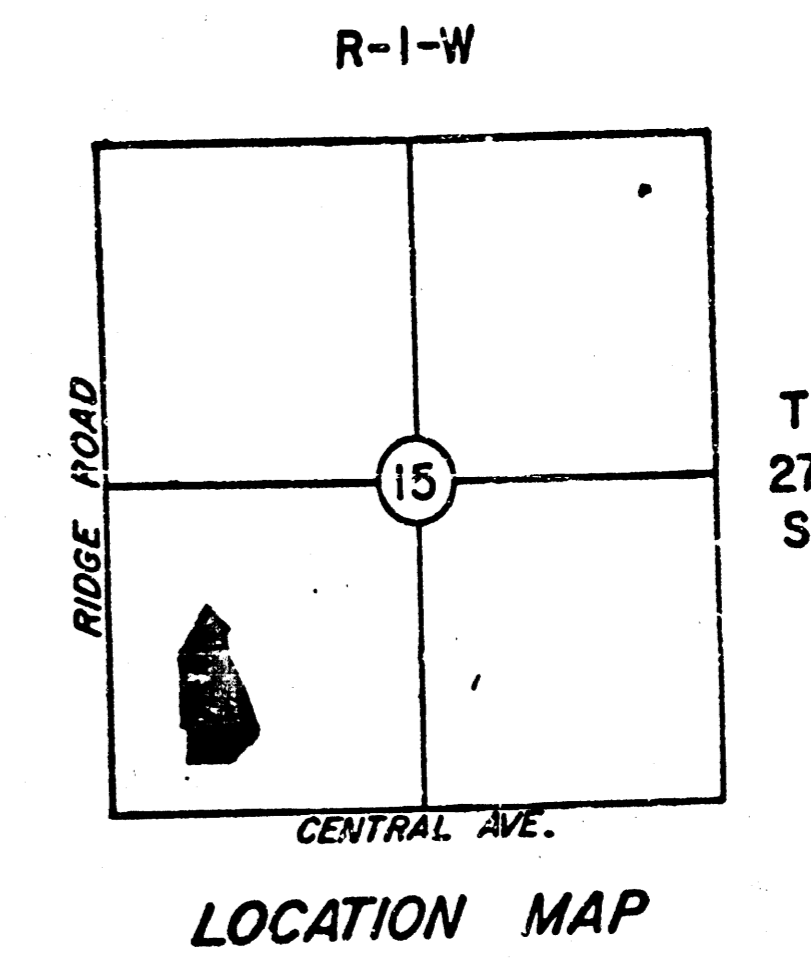
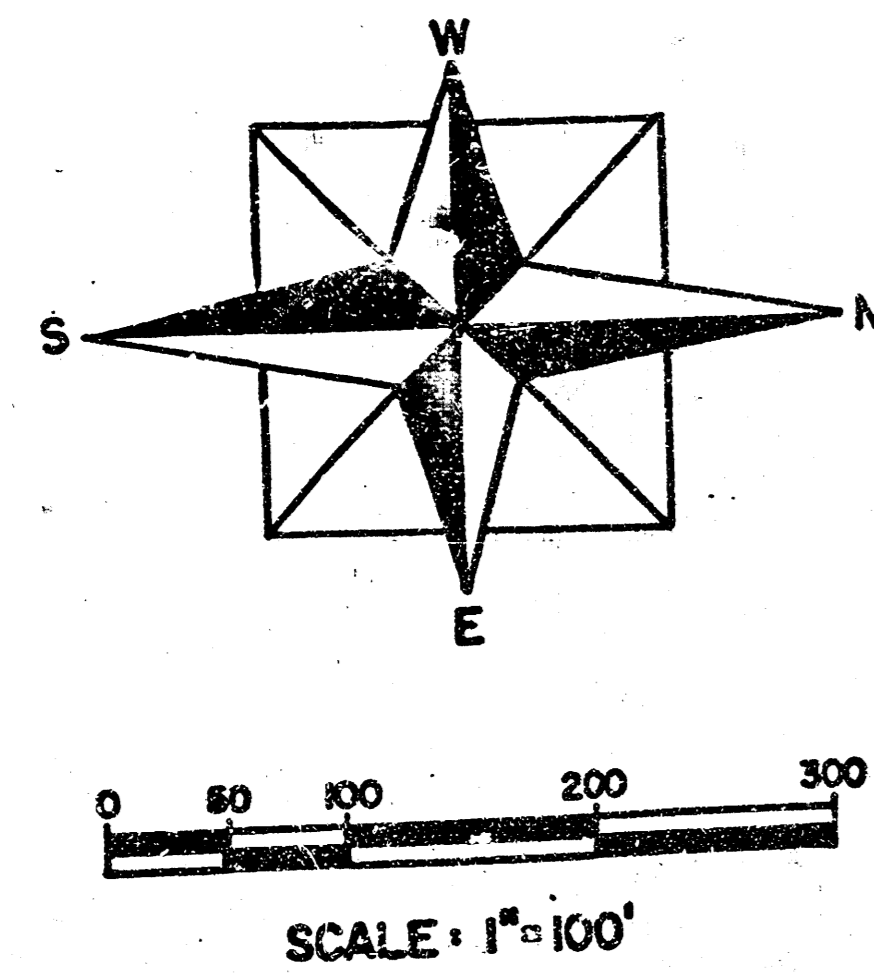


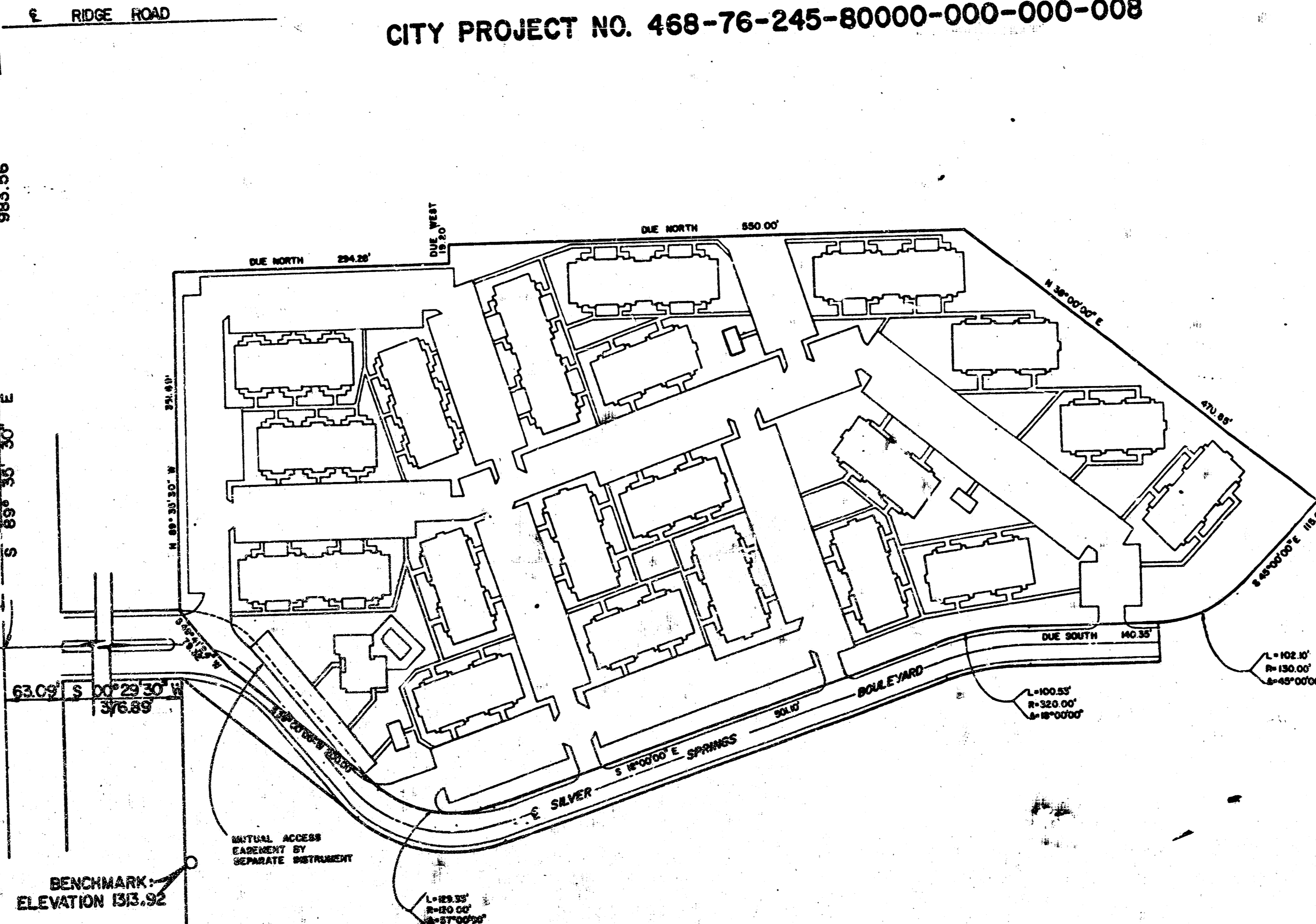
# RAINTREE APARTMENTS

LOT 3, BLOCK 1, SILVER SPRINGS  
AN ADDITION TO THE CITY OF WICHITA, KANSAS  
SANITARY SEWER PLAN

CITY PROJECT NO. 468-76-245-80000-000-000-008



OWNER  
**FLOYD R. HARDESTY**  
4606 SOUTH GARNETT  
TULSA, OKLAHOMA  
74145  
PHONE: 622-3600



**INDEX**

SHEET NO.	DESCRIPTION
1	TITLE SHEET
2	SANITARY SEWER PLAN
3	SANITARY SEWER PROFILES
4	MANHOLE FRAME AND COVER DETAILS

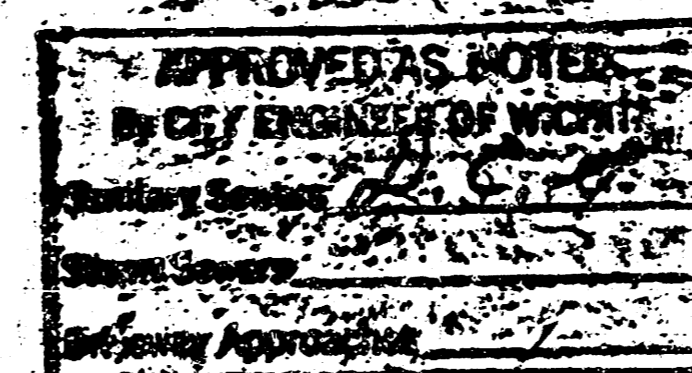
BENCHMARK: APPROXIMATELY 1135.00 FEET EAST  
AND 453.57 FEET NORTH OF THE SOUTHWEST  
CORNER OF SECTION 15, T-27-S, R-1-W  
ELEVATION 1313.92

**LEGEND**

- STANDARD TYPE "A" OR "C" 4' I.D. MANHOLE & NUMBER
- STANDARD LAMPHOLE & LETTER
- CONNECTION TO EXISTING MANHOLE & LETTER
- 6" VITRIFIED CLAY PIPE UNLESS OTHERWISE NOTED
- STL.....STL STORM SEWER CROSSING
- W.....W WATER CROSSING
- CAST IRON PIPE

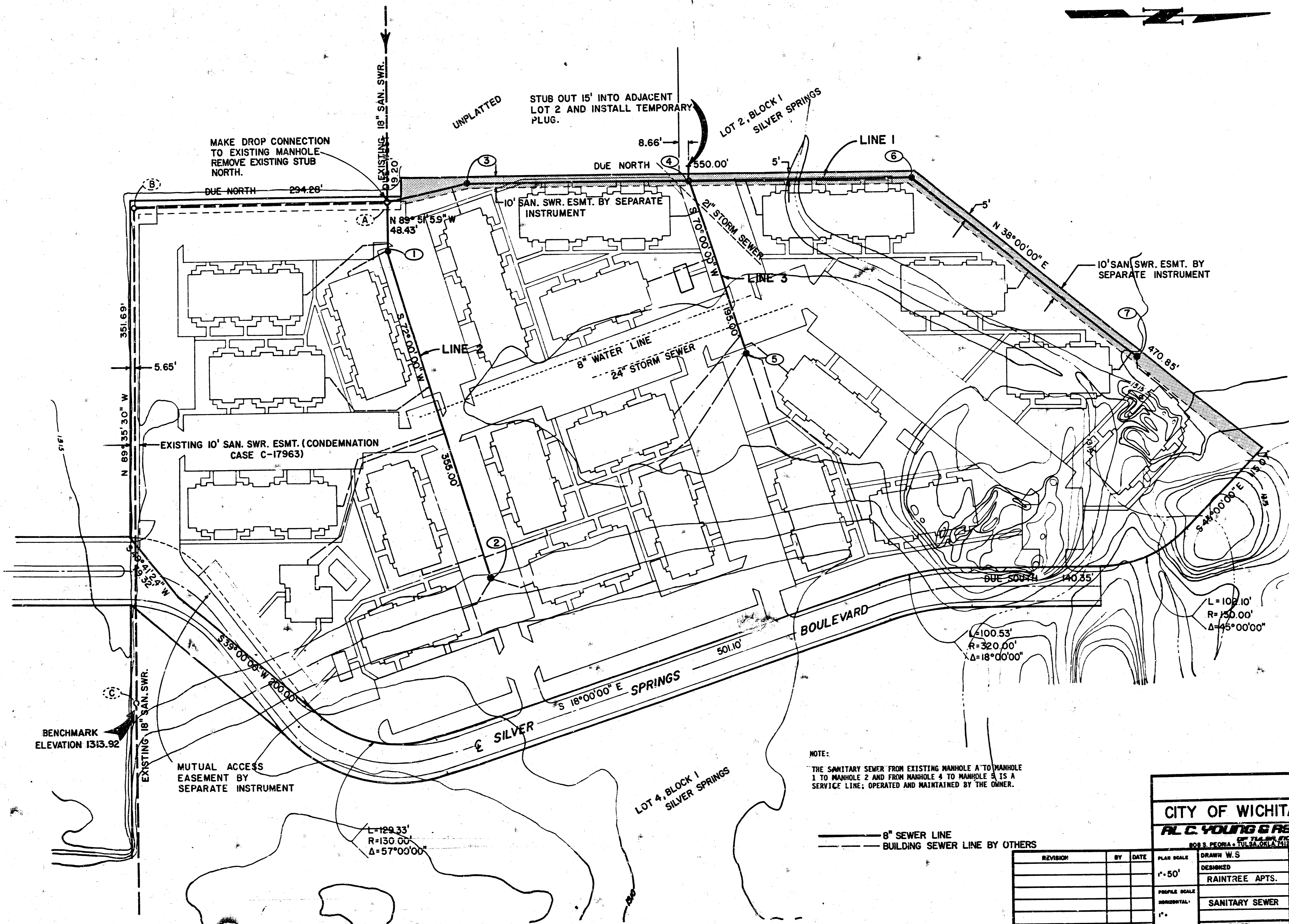
**GENERAL NOTES**

ALL CONSTRUCTION TO BE IN STRICT ACCORDANCE WITH CITY OF WICHITA SPECIFICATIONS.  
EXISTING UNDERGROUND LINES HAVE BEEN SHOWN TO THE EXTENT KNOWN AND LOCATIONS ARE APPROXIMATE, THE EXACT LOCATIONS AND NOTIFICATION OF THE PROPER AGENCY IS THE RESPONSIBILITY OF THE CONTRACTOR PRIOR TO ANY EXCAVATION.  
ALL ELEVATIONS ARE U.S.G.S. BASED ON SEA LEVEL DATUM.



**NOTE TO CONTRACTOR**  
This project will be completed under the supervision of the CITY ENGINEER and conforming to the SPECIFICATIONS of the CITY OF WICHITA. The CONTRACTOR shall prepare the City of Wichita for all details of installation.

CITY OF WICHITA KANSAS			
R.C. YOUNG & ASSOCIATES			
208 S. PEGORIA • TULSA, OKLA. 74103 • 918/583-4181			
REVISION	BY	DATE	APPROVED:
			DESIGNED J.T.
			RAINTREE APARTMENTS
			SANITARY SEWER
			TITLE SHEET
			RECOMMENDED
			ENGINEERING DIRECTOR
			DATE:
			FILE: 4118 DRAWING:
			ATLAS PAGE NO:
			SHEET 1 OF 4 SHEETS

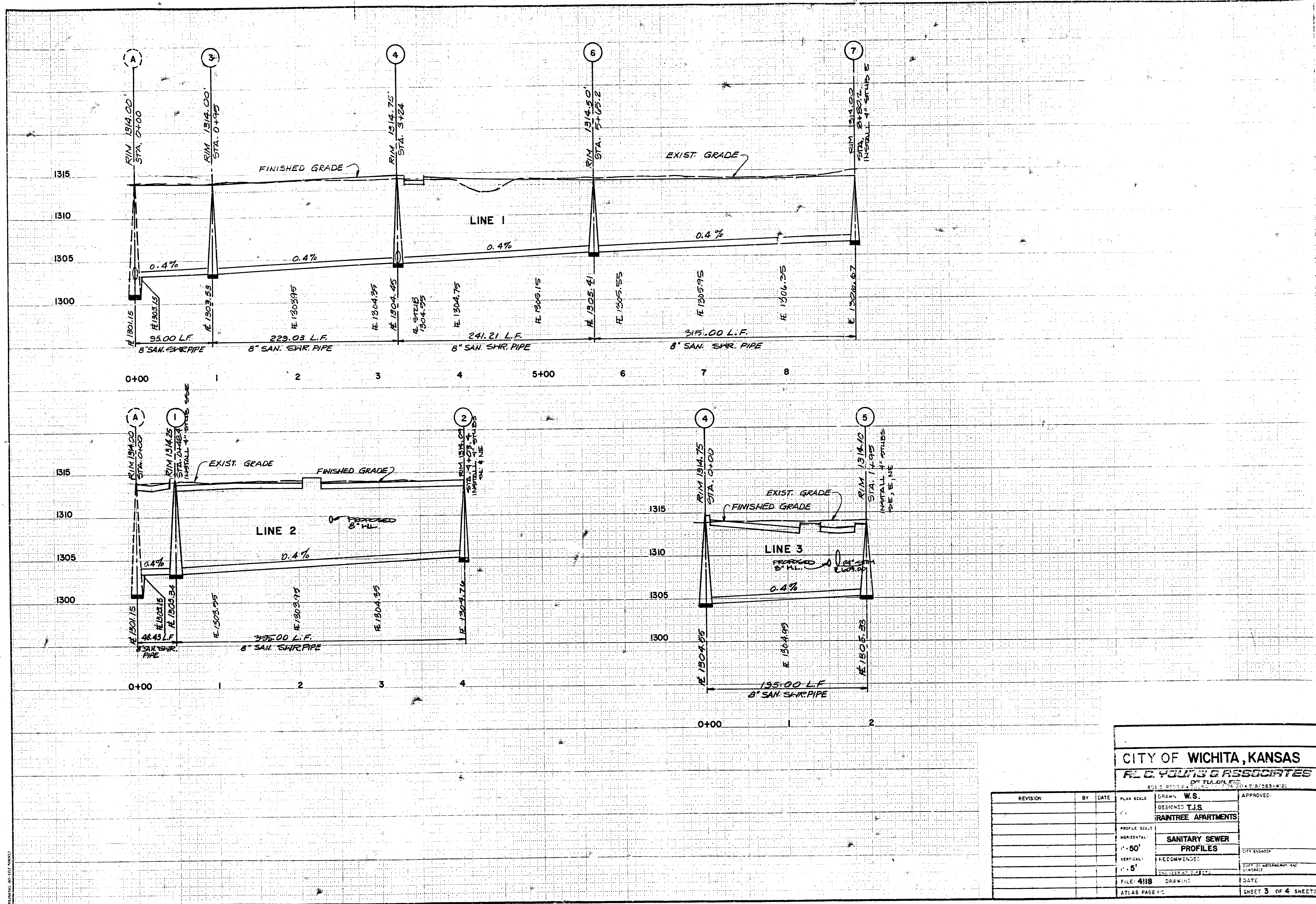


NOTE:  
 THE SANITARY SEWER FROM EXISTING MANHOLE 1 TO MANHOLE 2 AND FROM MANHOLE 4 TO MANHOLE 3 IS A SERVICE LINE; OPERATED AND MAINTAINED BY THE OWNER.

— 8" SEWER LINE  
 - - - BUILDING SEWER LINE BY OTHERS

**CITY OF WICHITA, KANSAS**  
**R.C. YOUNG & ASSOCIATES**  
 800 S. PEORIA • TULSA, OKLA. 74106 • 918/582-4181

DESIGNED	DRAWN W. S.	APPROVED:
HORIZONTAL:	RAINTREE APTS.	
VERTICAL:	SANITARY SEWER	
	RECOMMENDED	
FILE: 4118	DATE:	
ATLAS PAGE NO:		SHEET 2 OF 4 SHEETS



**CITY OF WICHITA, KANSAS**  
**R. C. YOUNG & ASSOCIATES**  
ENGINEERS, ARCHITECTS, PLANNERS, AND SURVEYORS

REVISION	BY	DATE	PLAN SCALE	DRAWN	W.S.	APPROVED
			1"	DESIGNED	T.J.S.	
				RAINTREE APARTMENTS		
			PROFILE SCALE	SANITARY SEWER PROFILES		
			HORIZONTAL	RECOMMENDED		
			VERTICAL	DATE		
			FILE: 4118	DRAWING		DATE
			ATLAS PAGE 1/C	SHEET 3 OF 4 SHEETS		

# MANHOLE FRAME AND COVER DETAIL

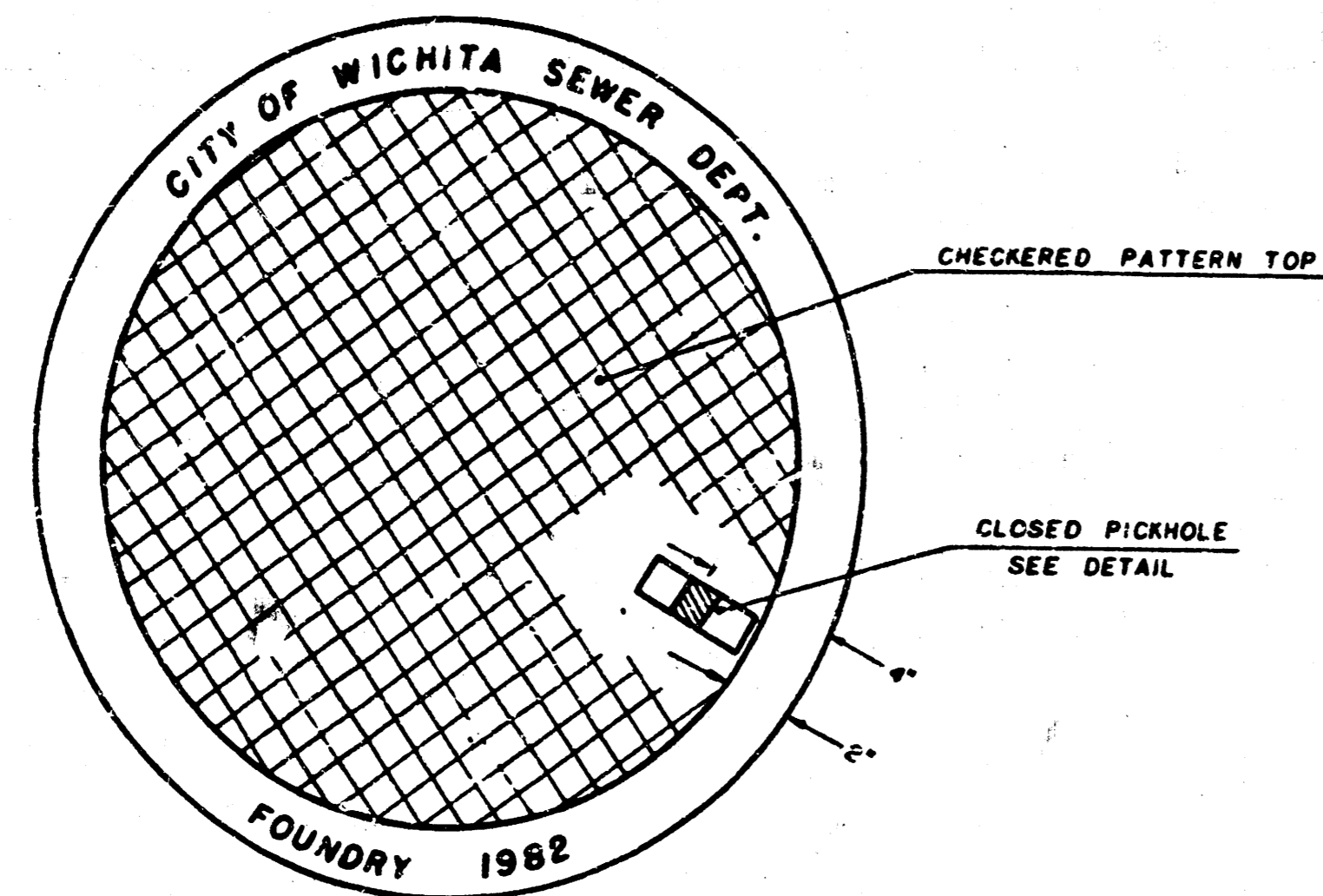
ADOPTED AS STANDARD DESIGN

BY

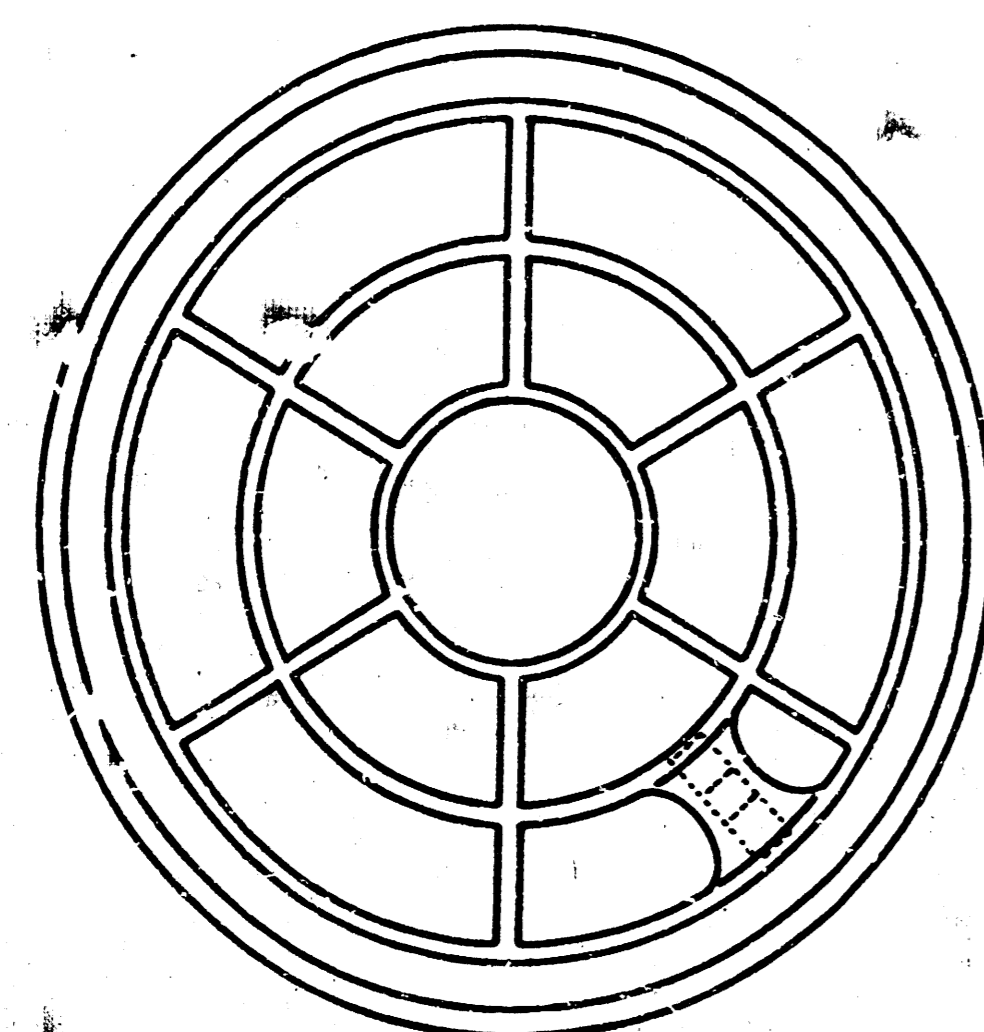
City of Wichita, Kansas

## MANHOLE COVER

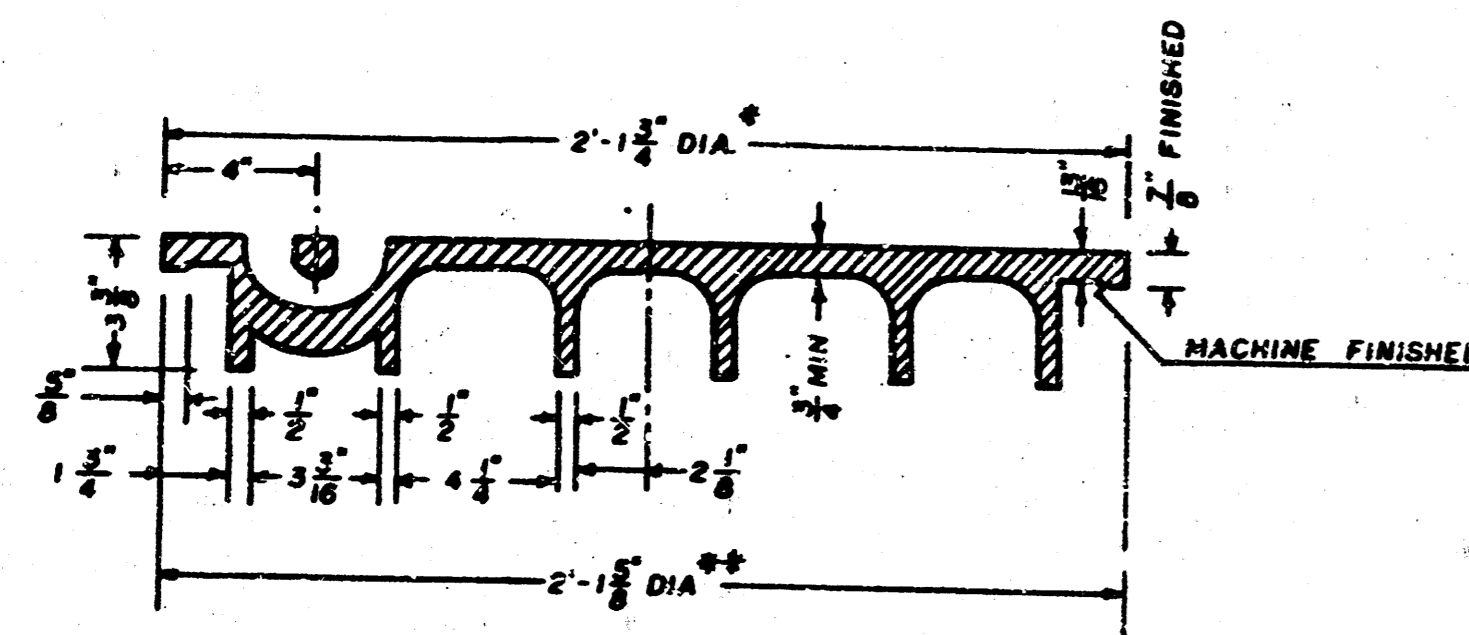
Weight: 180 Lbs.



TOP VIEW



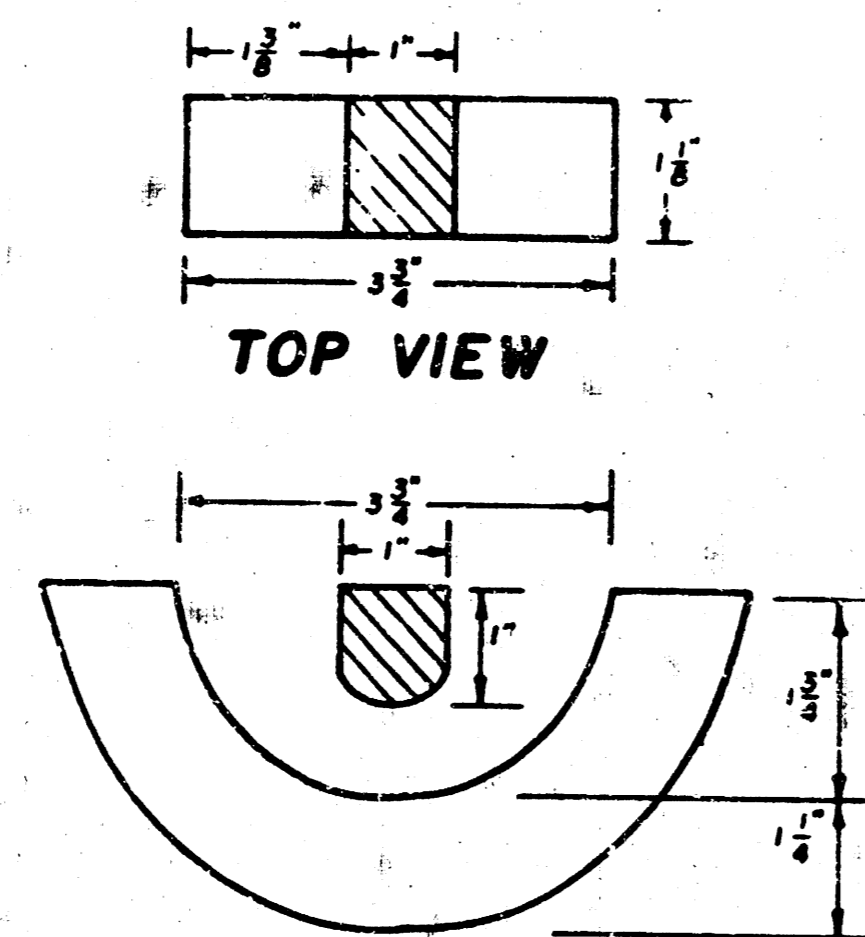
BOTTOM VIEW



SECTION VIEW

\* OUTSIDE DIA. TOP OF COVER  
 \*\* OUTSIDE DIA. BOTTOM OF COVER

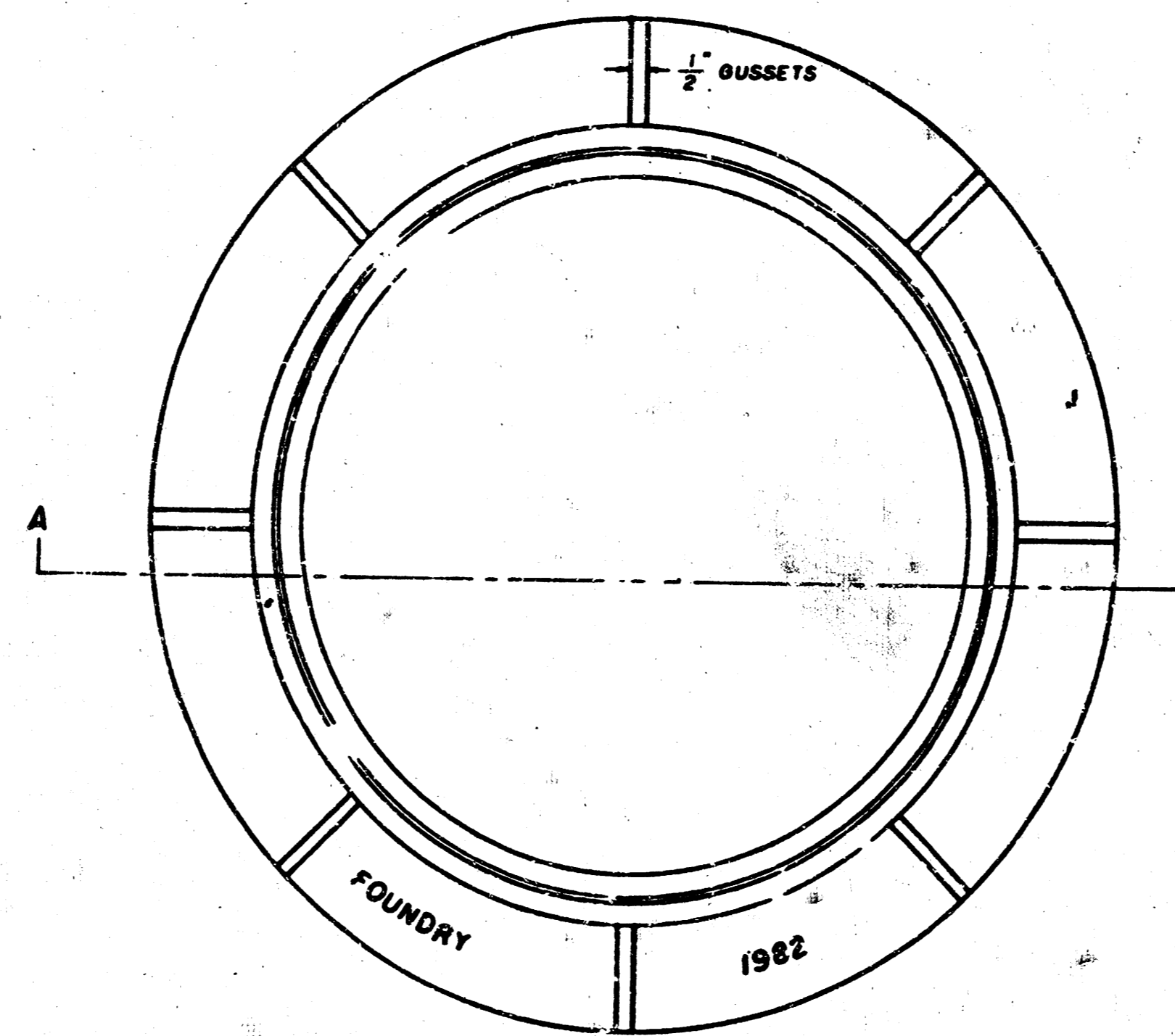
## PICKHOLE DETAIL



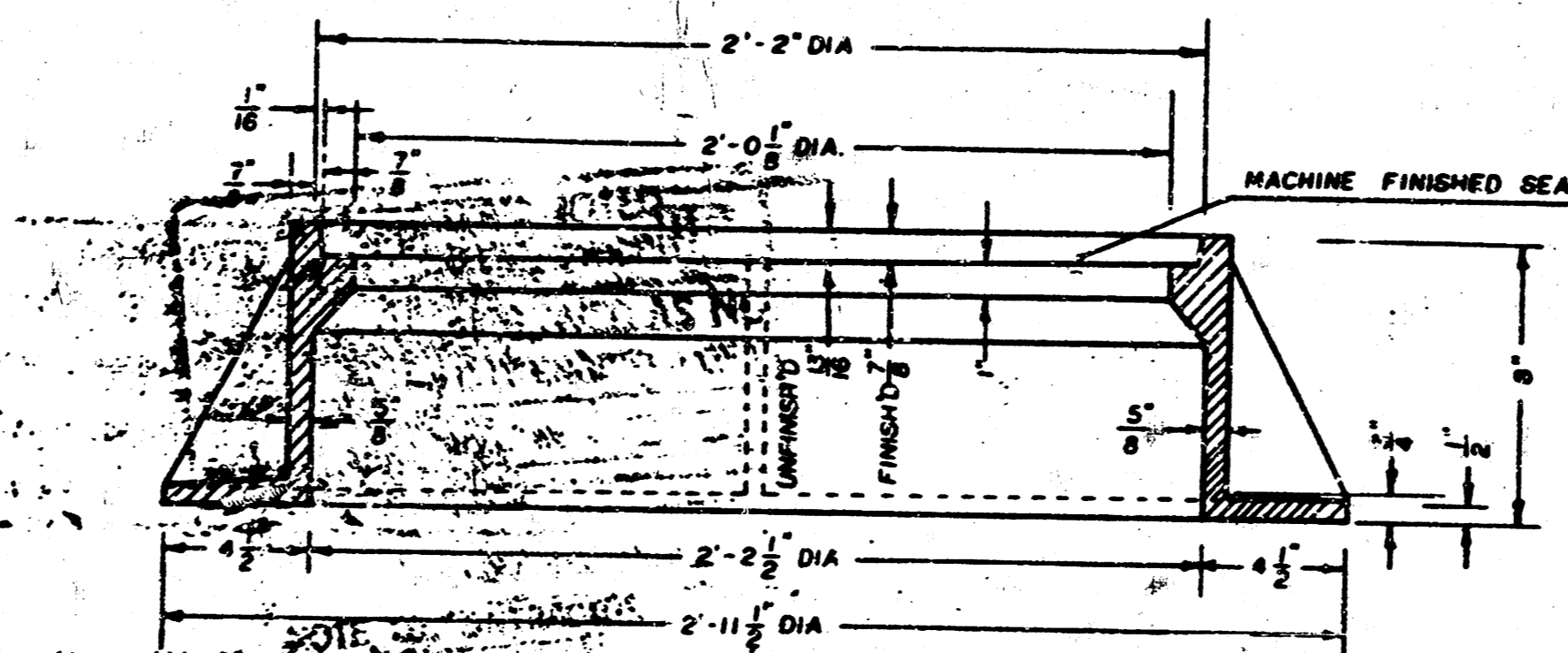
SECTION VIEW

## MANHOLE FRAME

Weight: 240 Lbs.



TOP VIEW



SECTION A-A

### GENERAL NOTES

1. MANHOLE CASTINGS SHALL BE MANUFACTURED USING GOOD QUALITY GRAY IRON CONFORMING TO CLASS 30 OF A.S.T.M. DESIGNATION A-48. DIMENSIONS AND WEIGHTS SHOWN ON THE DETAILED DRAWINGS SHALL BE CONSIDERED AS MINIMUM REQUIREMENTS AND ANY DEVIATIONS FROM THE DIMENSIONS SHOWN MUST BE SPECIFICALLY APPROVED. THE FINISHED CASTINGS SHALL BE OF UNIFORM QUALITY, FREE FROM BLOWHOLES, POROSITY, HARD SPOTS, SHRINKAGE DISTORTIONS OR OTHER DEFECTS.
2. MANHOLE CASTINGS SHALL BE COATED WITH AN ASPHALT PAINT RESULTING IN A SMOOTH, TOUGH AND TENACIOUS COATING WHICH IS NOT BRITTLE OR TACKY.
3. MANHOLE CASTINGS SHALL BE MANUFACTURED SUCH THAT A COVER MANUFACTURED BY ANY ONE FOUNDRY WILL FIT INTERCHANGEABLY INTO A FRAME MANUFACTURED BY ANOTHER FOUNDRY AND STILL MEET ALLOWABLE CLEARANCES AND NON-ROCKING REQUIREMENTS. THIS WILL REQUIRE MANUFACTURING OF THE MATCHING FACES OF THE COVER AND THE FRAME TO CLOSE TOLERANCES.
4. THE OUTSIDE CIRCUMFERENCE OF THE VERTICAL FACE OF THE COVER AND THE INSIDE CIRCUMFERENCE OF THE VERTICAL FACE IN THE FRAME RECESS SHALL BE MANUFACTURED TO TOLERANCES SUCH THAT THE CLEARANCE BETWEEN THE COVER AND FRAME WILL NOT EXCEED 1/8" AT ANY POINT AROUND THE CIRCUMFERENCE OF THE COVER. THE SEATING SURFACES BETWEEN THE COVER AND FRAME SHALL BE MACHINED SUCH THAT THESE SURFACES SHALL MAKE FULL CONTACT FOR THEIR FULL CIRCUMFERENCE TO PRECLUDE THE COVER FROM ROCKING IN THE FRAME.
5. THE MANHOLE FRAME AND COVER SHALL BE MARKED WITH LETTERING INDICATING THE NAME OF THE MANUFACTURER AND THE YEAR WHEN THE COVER OR FRAME WAS CAST. THE COVER SHALL BE FURTHER IDENTIFIED WITH REGARDS TO OWNERSHIP USING LETTERS AT LEAST 1" IN HEIGHT. THIS IDENTIFICATION SHALL BE "CITY OF WICHITA SEWER DEPARTMENT". THE WORD DEPARTMENT MAY BE ABBREVIATED. THE TEXTURE OF THE TOP SURFACE OF THE COVER SHALL BE MANUFACTURED IN A CHECKERED PATTERN DESIGN AS INDICATED ON THE DRAWINGS. SMOOTH BLOCKOUTS SHALL BE UTILIZED TO HIGHLIGHT THE LETTERING ON THE COVER SURFACE. THE TOTAL AREA OF SMOOTH SURFACE BLOCKOUT SHALL NOT EXCEED THE AREA AS INDICATED ON THE DRAWING. POSITIONING OF SMOOTH BLOCKOUTS AND LETTERING MAY VARY FROM THAT SHOWN ON THE DETAILED DRAWING.