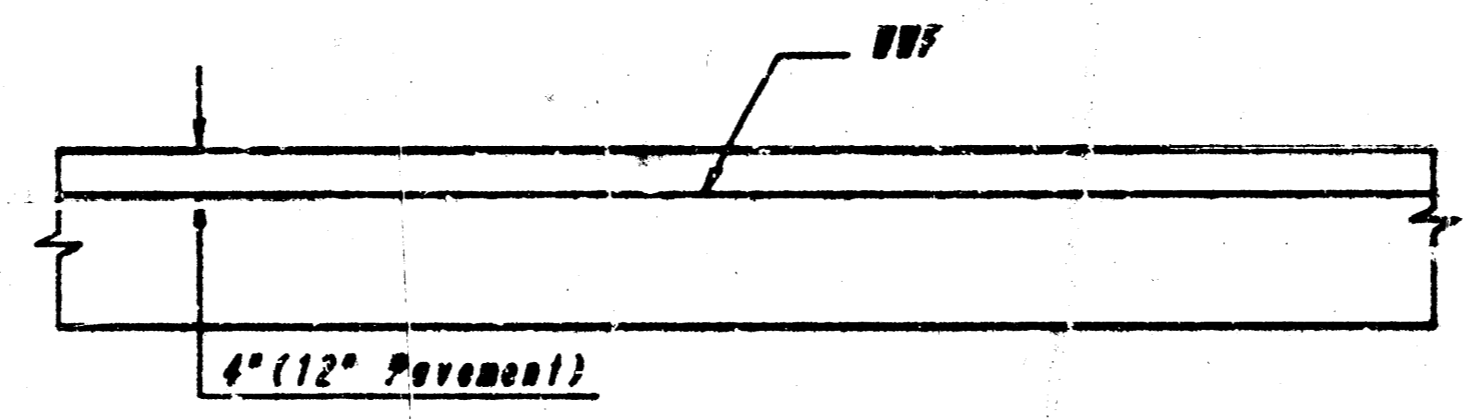


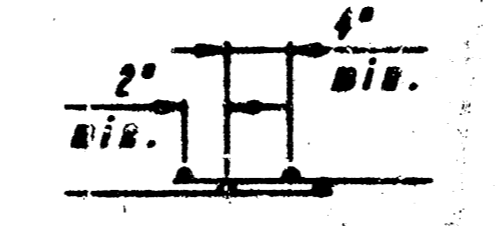
**WELDED WIRE FABRIC**

REINFORCING FABRIC SHALL BE FURNISHED IN SHEETS (SUGGESTED SIZE 11'-0" WIDE X 12'-0" LONG). THE CONTRACTOR MAY PROVIDE A DIFFERENT PATTERN OF FABRIC AS LONG AS A MINIMUM OF 0.14 IN./S.F. OF REINFORCING IS PROVIDED IN EACH DIRECTION. WELDED WIRE FABRIC SHALL BE CUT IN THE FIELD AS REQUIRED TO CONFORM TO THE SHAPE OF THE PANEL TO BE REINFORCED.



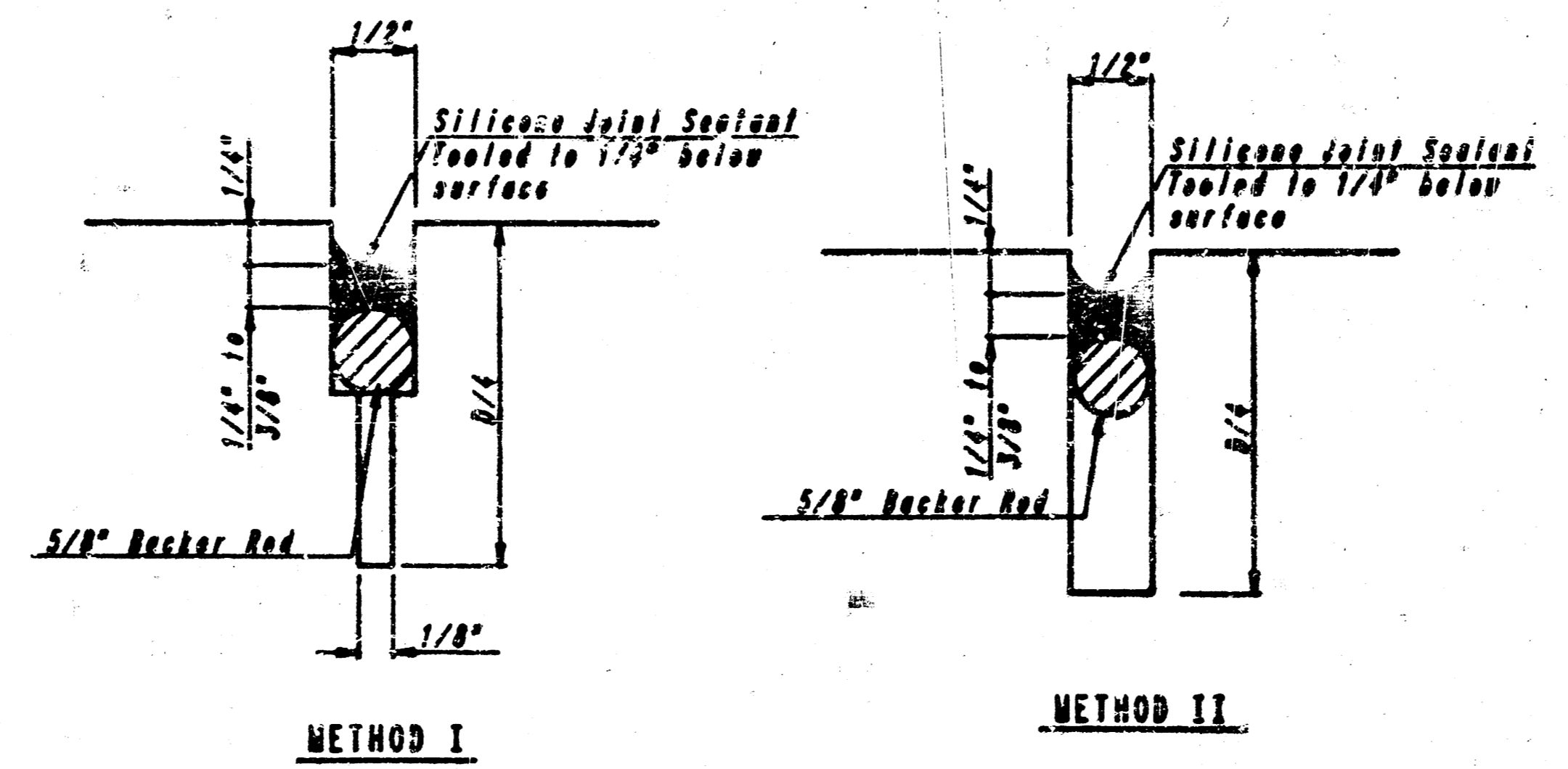
**SECTION THRU PAVEMENT**

REINFORCING FOR OTHER THAN RECTANGULAR PANELS SHALL BE THE SAME AS DETAILED ABOVE, CUT TO THE APPROPRIATE SHAPE & OVERLAP SPICED AS REQUIRED.



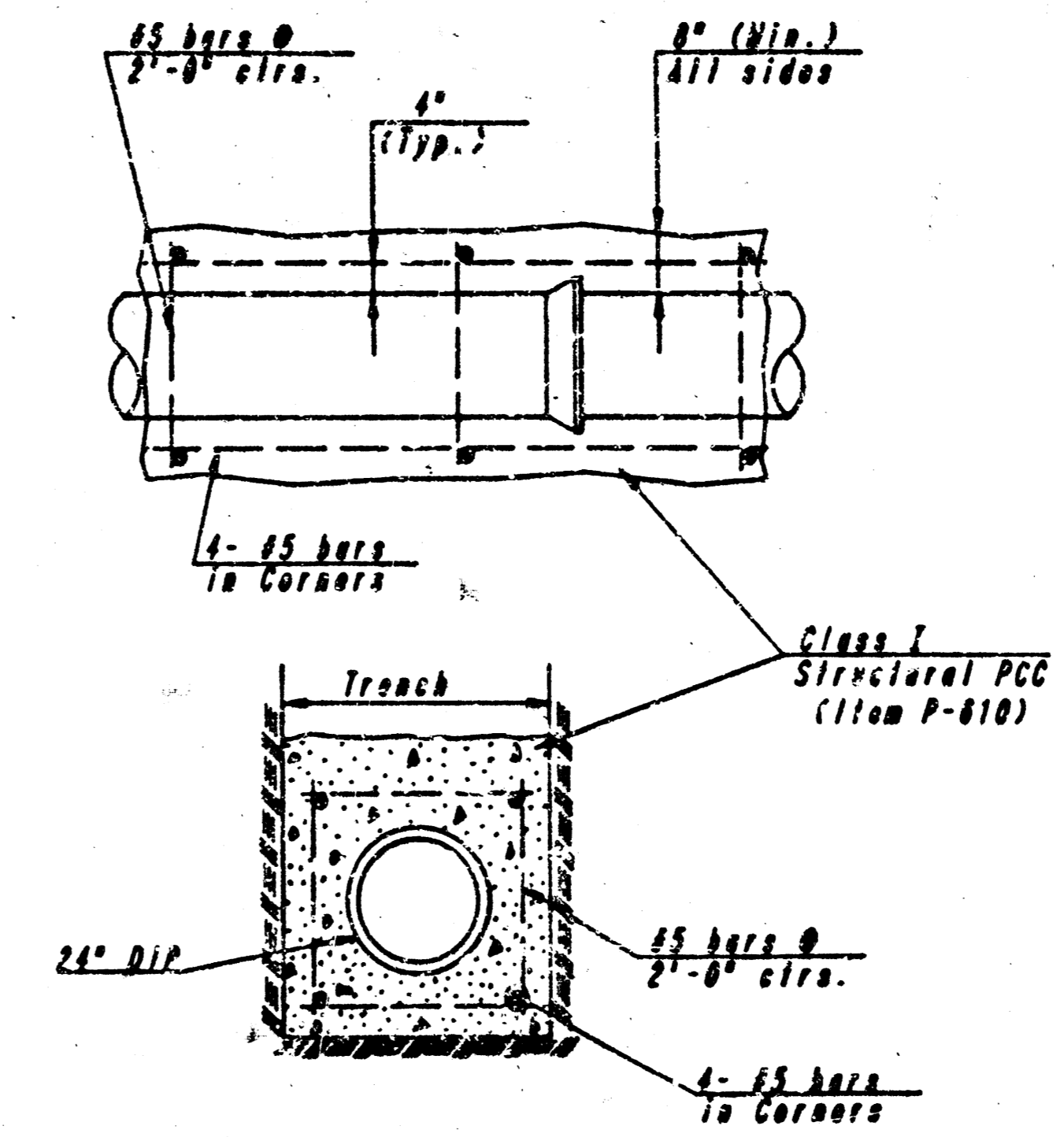
**TYPICAL SPLICE DETAIL**

**REINFORCING DETAILS**

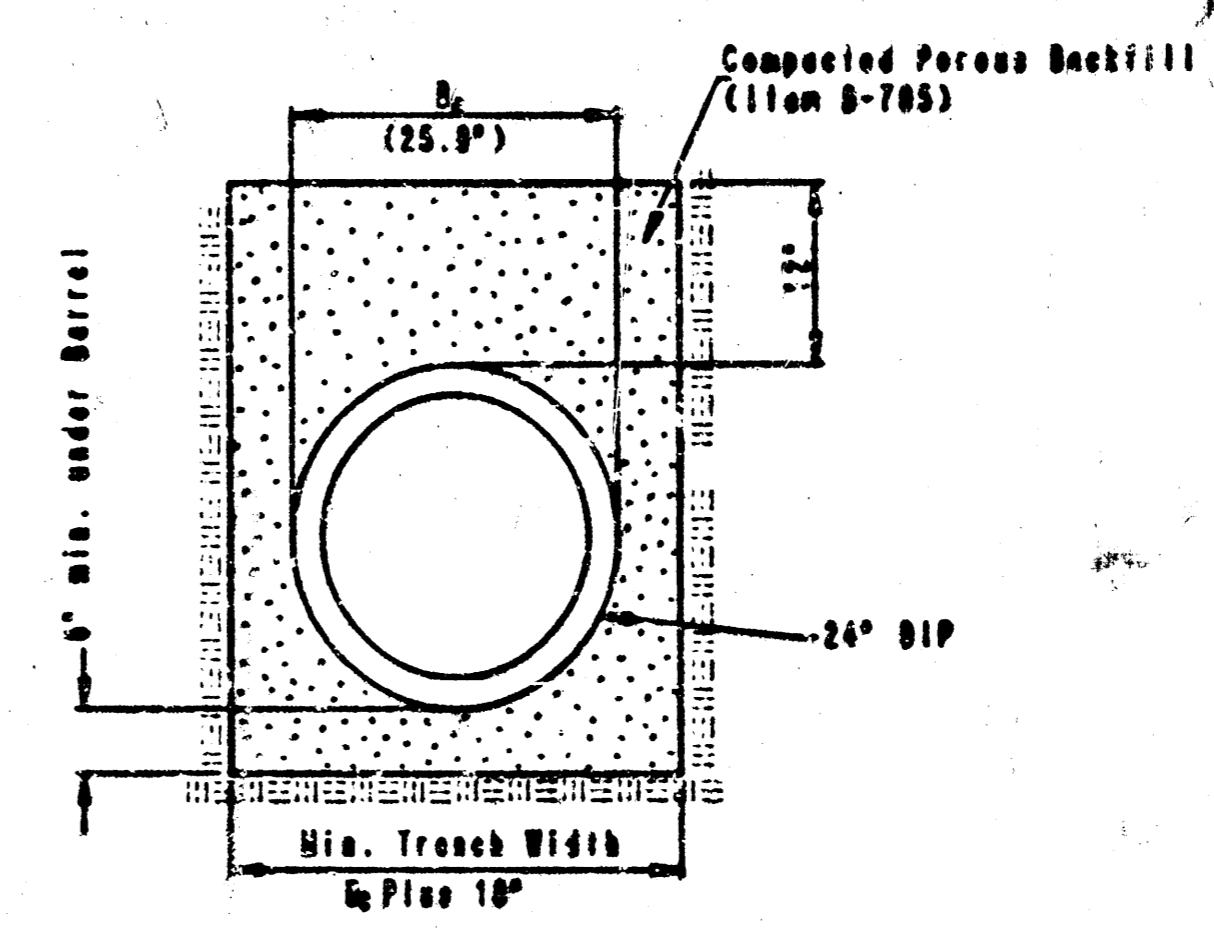


**DETAIL 2**

**JOINT SEAL DETAILS**

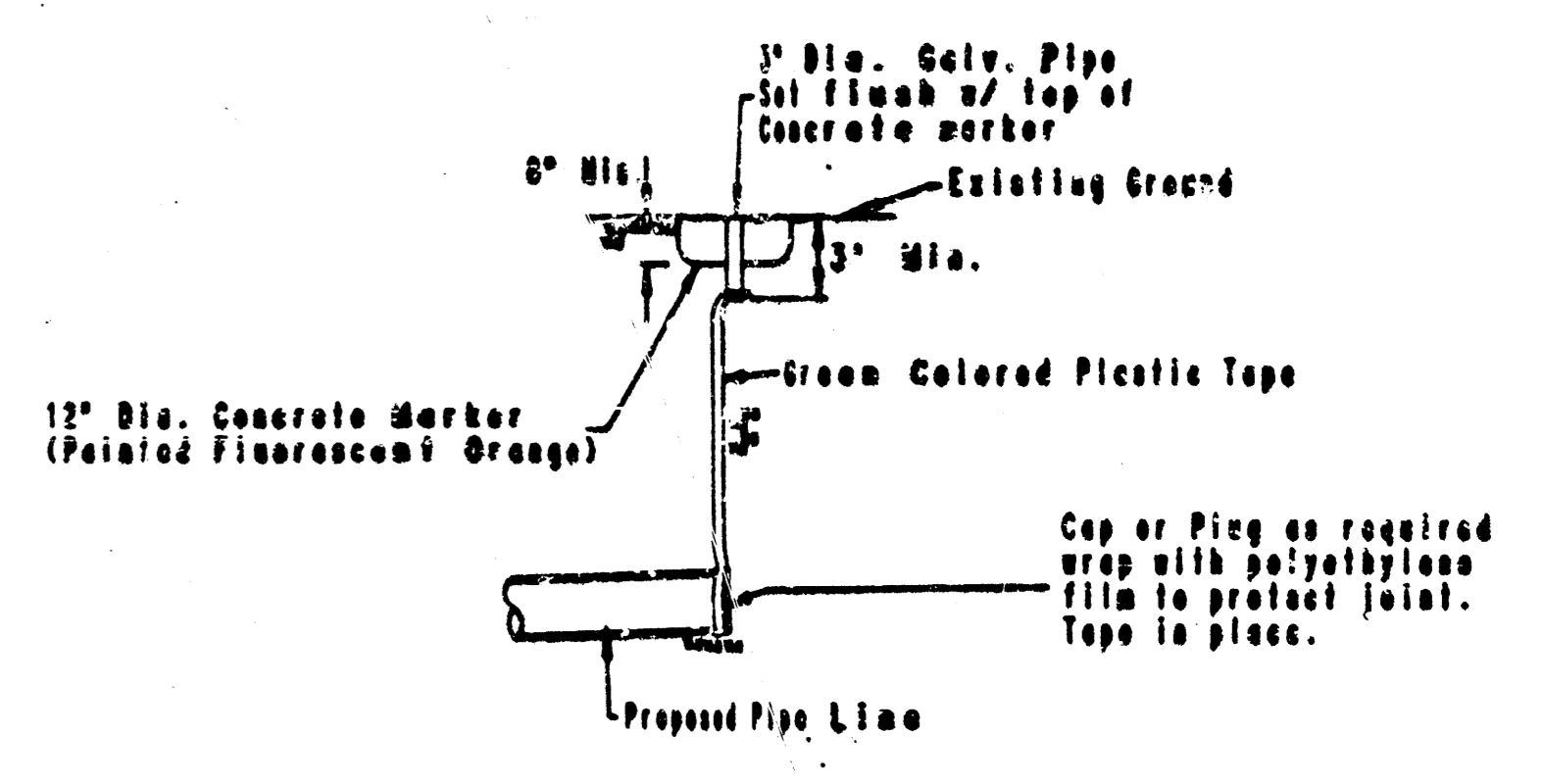


**REINFORCED CONCRETE ENCASEMENT DETAIL**



**PIPE BEDDING DETAIL**

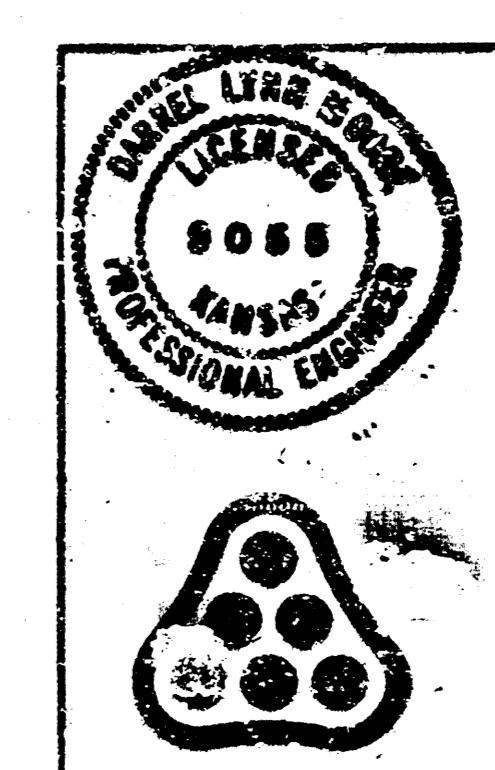
(Pipe bedding required where concrete encasement is not to be installed.)



**BURIED PIPE PLUG & FLAG DETAIL**

(STARTING & FLAGGING SHALL BE SUBSIDIARY TO THE PIPE LINE INSTALLATION)

- NOTES**
- Materials and Construction as detailed on this sheet shall comply with the specifications in the "Project Manual for Reconstruction of Manway 1L-100", unless noted otherwise.
  - Bedfill above the pipe bedding or above the concrete encasement shall be selected excavated material, per item W-705, compacted to 95% Standard Density (L110 8-600) (M 425 to 425).



|  |          |         |             |
|--|----------|---------|-------------|
| No.  | Revision | By      | Date        |
| <b>PHASE I</b>   |          |         |             |
| <b>COWSKIN INTERCEPTOR SANITARY SEWER</b>  |          |         |             |
| MICHAEL E. LINDBERGH P.E., CITY ENGINEER<br>CITY OF WICHITA PROJ. NO. 468-10-215-01000-000-000 |          |         |             |
| <b>PROFESSIONAL ENGINEERING CONSULTANTS, P.A.</b>  |          |         |             |
| ENGINEERS<br>WICHITA, KANSAS   |          |         |             |
| Designed by  | HL       | Job No. | 34-86535-4  |
| Drawn by   | JF       | Date    | April, 1987 |
|  |          | Sheet   | 2 of 2      |