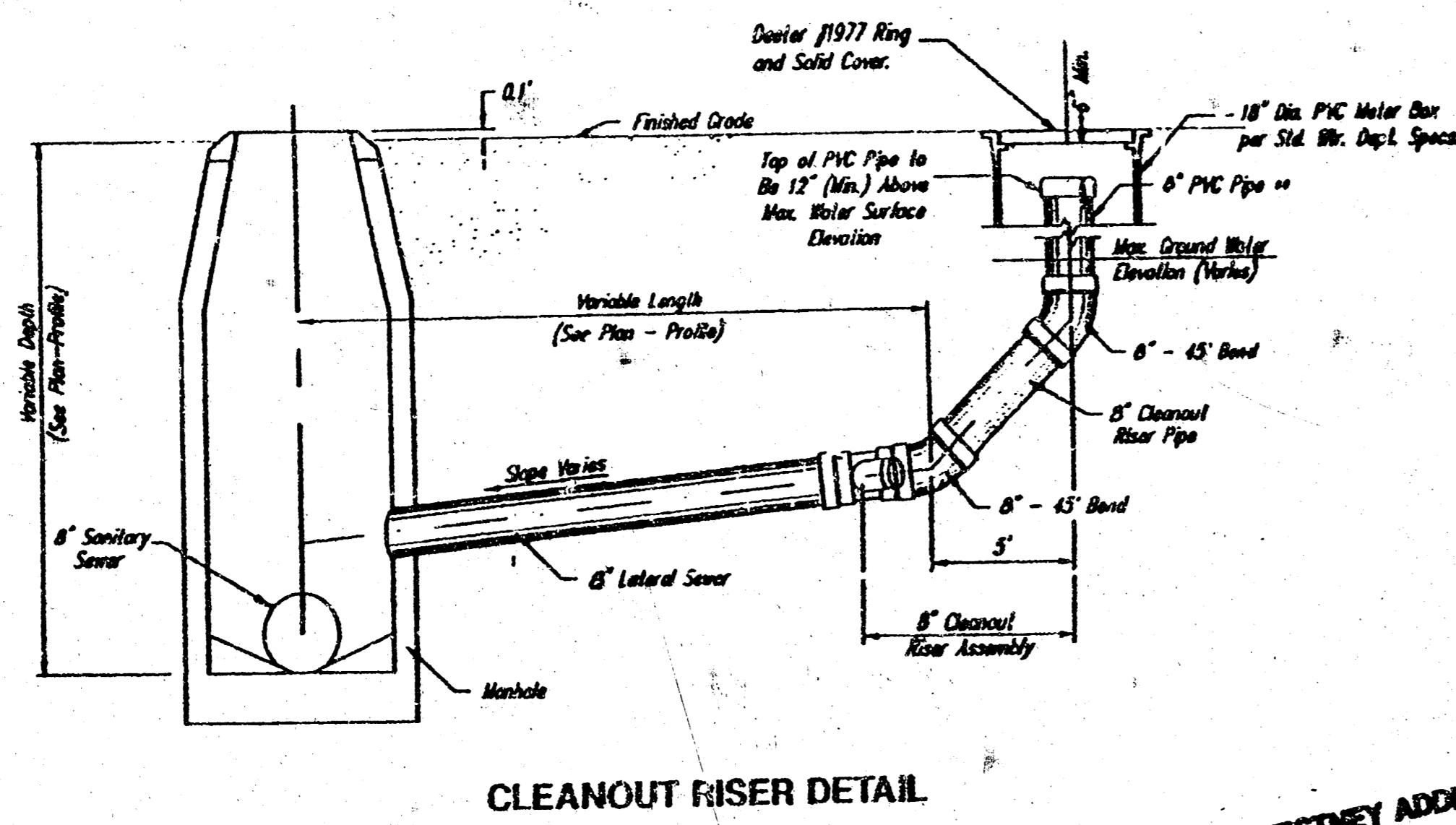


P.L. SPIKE, EAST FACE OF POWER POLE, WEST OF SENECA
2ND POLE NORTH OF 55TH STREET SOUTH
ELEV. = 82.48

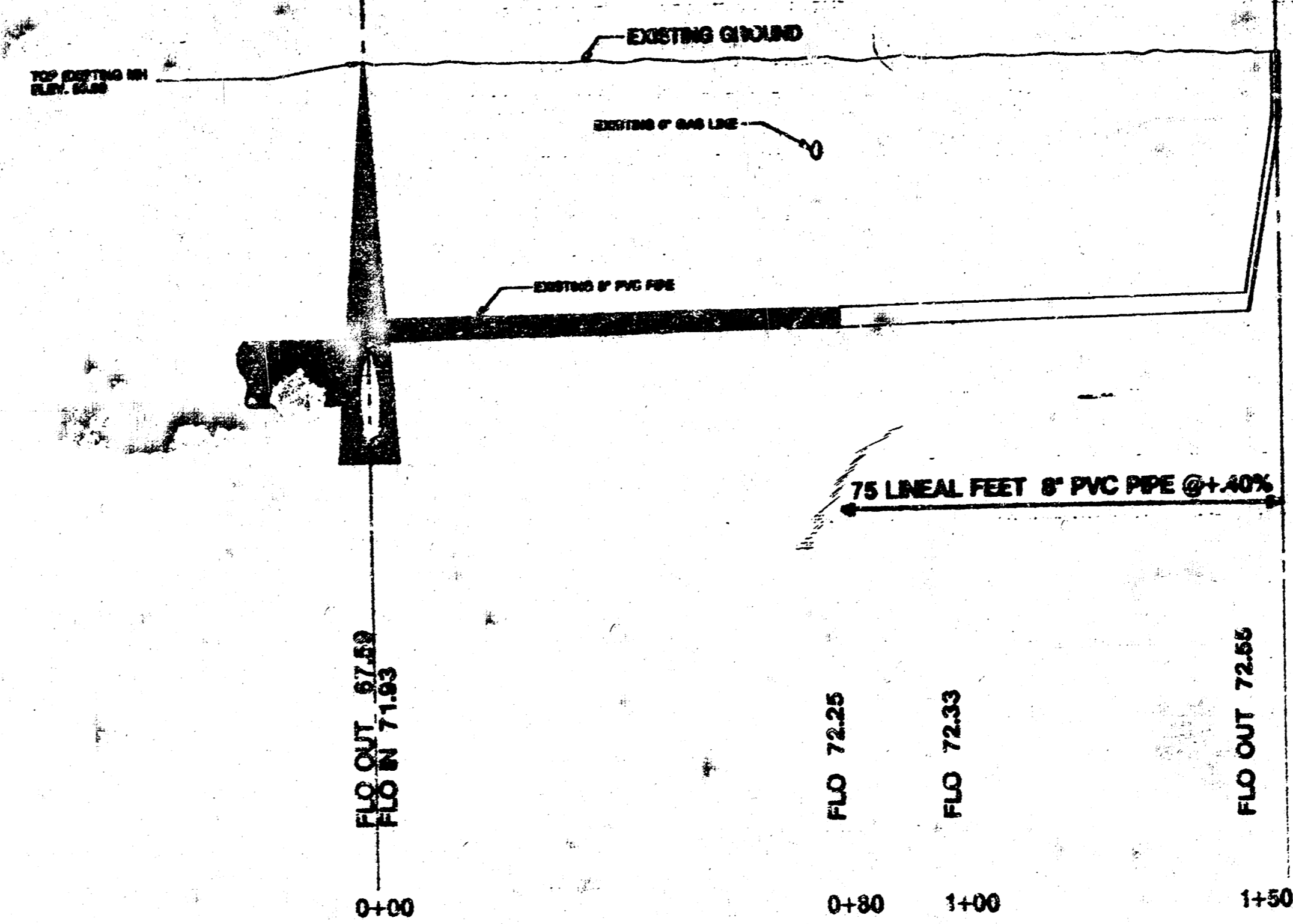
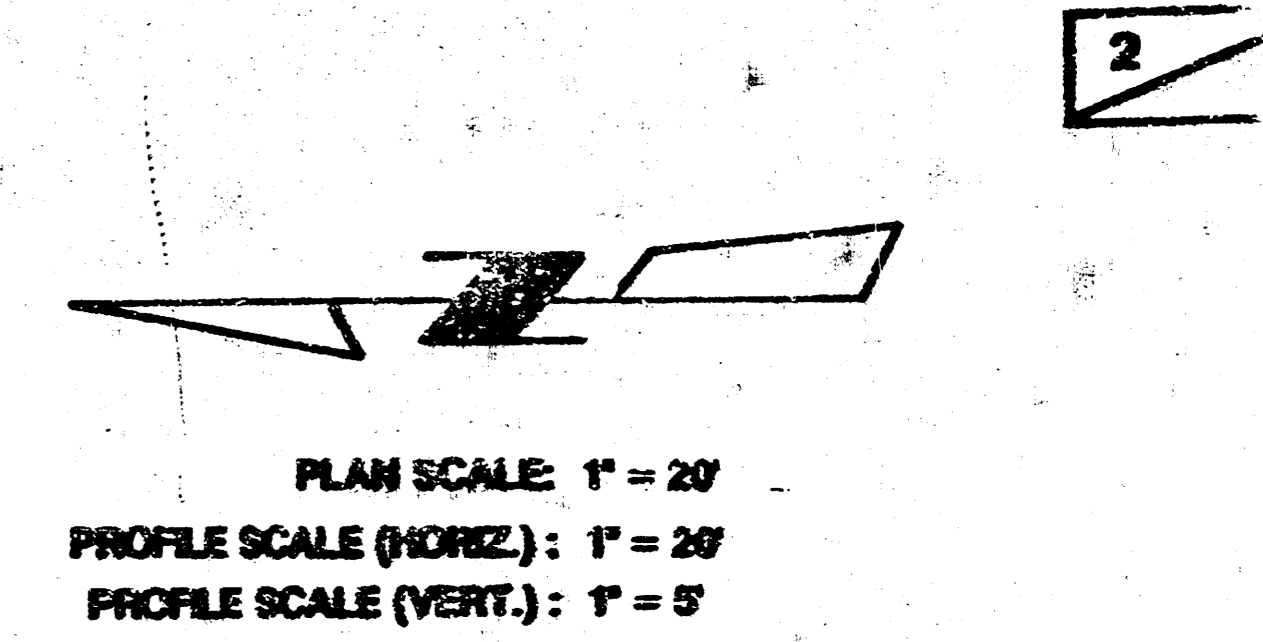
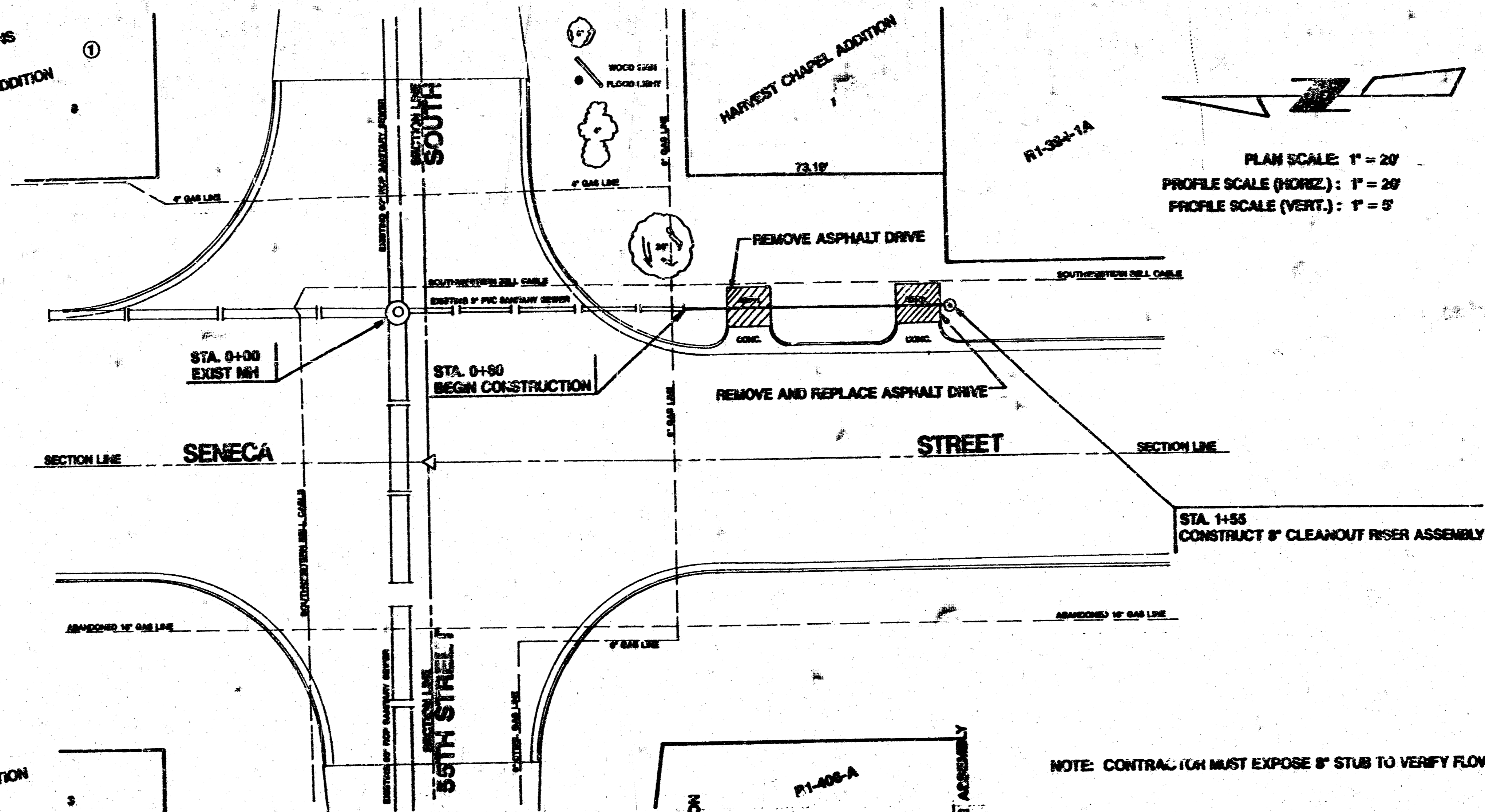
BOX CHASE, N.E. CORNER OF MURGIARD ON 55TH STREET SOUTH
ON RISE, WEST OF PARK BOARD LAKE
ELEV. = 85.02



85
80
75
70
65

SOUTH SENECA GARDENS
FOURTH ADDITION

WESTNEY ADDITION



NOTE: CONTRACTOR MUST EXPOSE 8\"/>



PROJECT DESCRIPTION	
LATERAL 288, SOUTHWEST INTERCEPTOR SEWER	
PROJECT NUMBER	
458-76-245-82033-000-000-001	INDEX # 74036

18-03-04-15