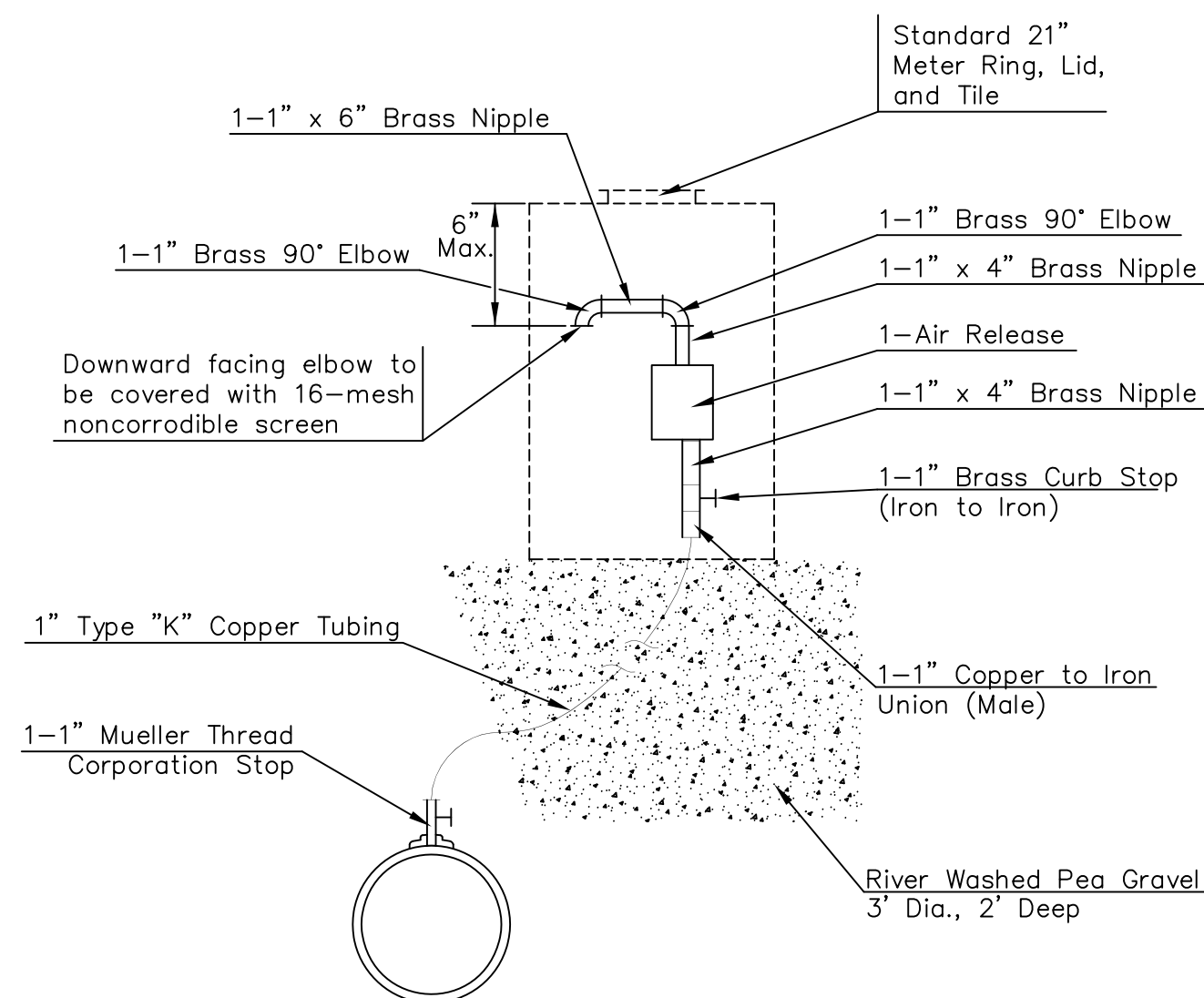


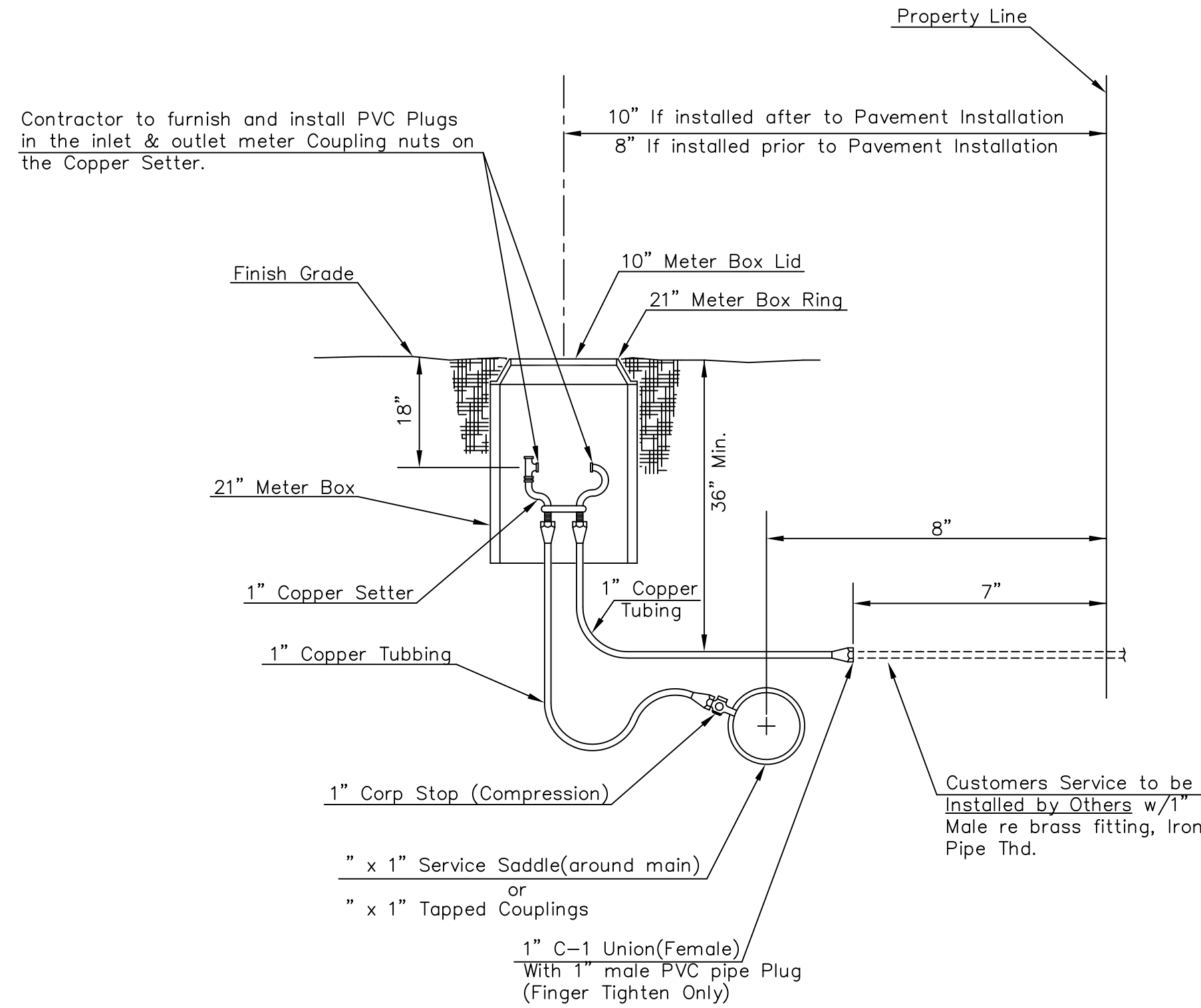
Note: Service Saddles are not required on top of 8" mains or larger
 Meter boxes will be located on each lot to be served, as indicated in the SPECIAL PROVISIONS

**TYPICAL METER SETTING
 LONG SERVICE 1"**

- 1 - 1" Mueller Thread Corporation Stop
- 1" Type "K" Copper Tubing
- 1 - 1" Copper to Iron Union (Male)
- 1 - 1" Brass Curb Stop (Iron to Iron)
- 2 - 1"x4" Brass Nipple
- Air Release
- 2 - 1" Brass Elbows (90°)
- 1 - 1"x6" Brass Nipple
- 1 - 21" Meter Tile
- 1 - 21" Meter Ring
- 1 - 10" Meter Lid

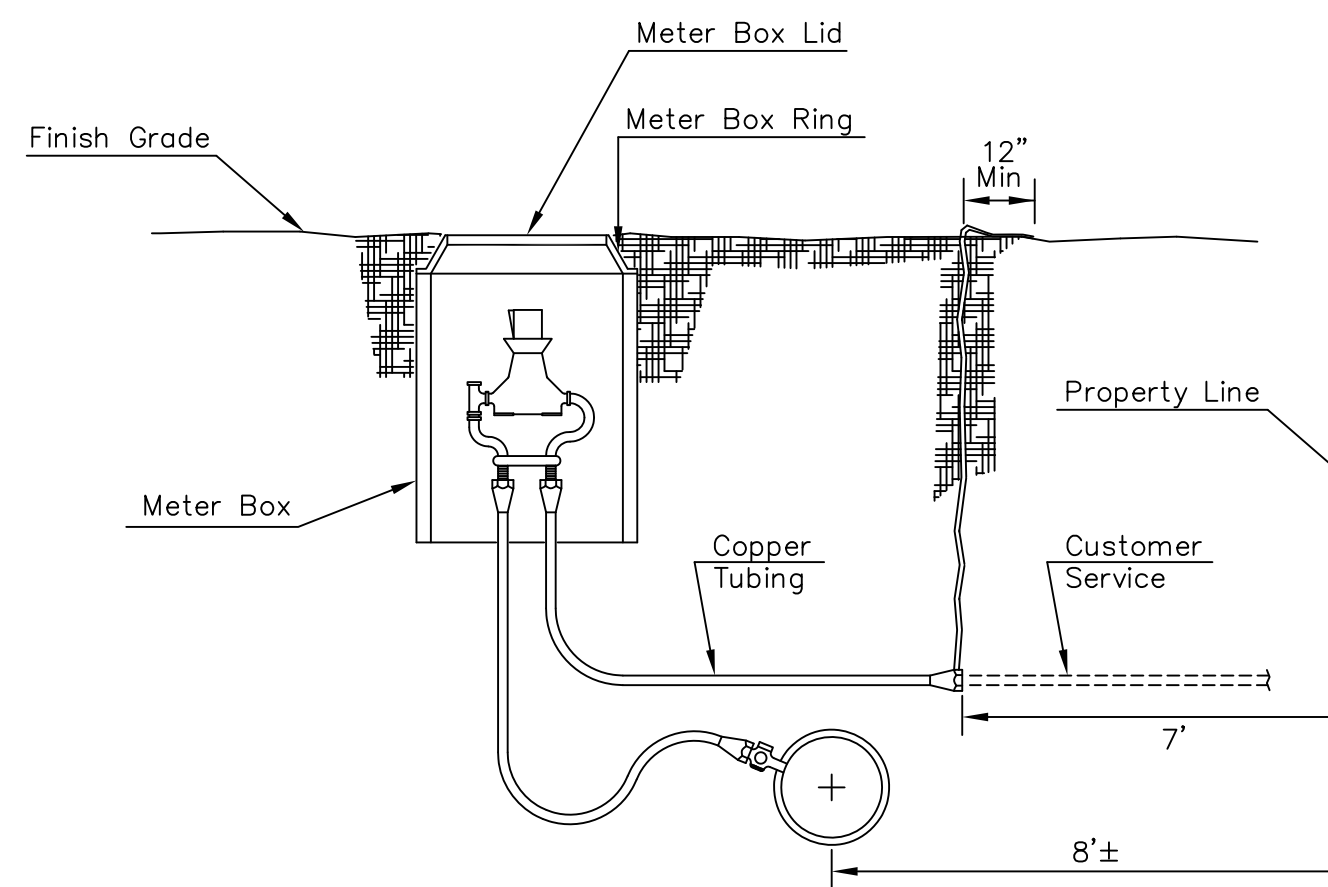


MATERIALS FOR AIR RELEASE ASSEMBLY



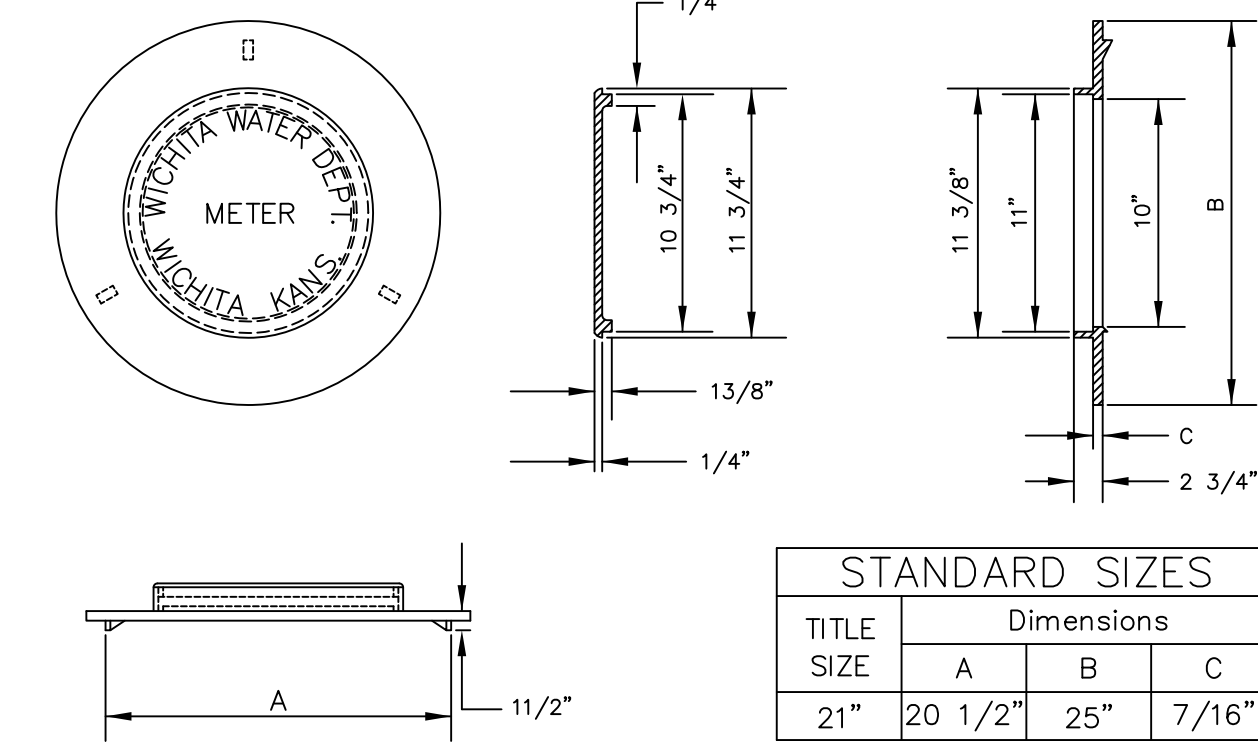
Note: Service Saddles are not required on top of 8" mains or larger
 Meter boxes will be located on each lot to be served, as indicated in the SPECIAL PROVISIONS

**TYPICAL METER SETTING
 SHORT SERVICE 1"**



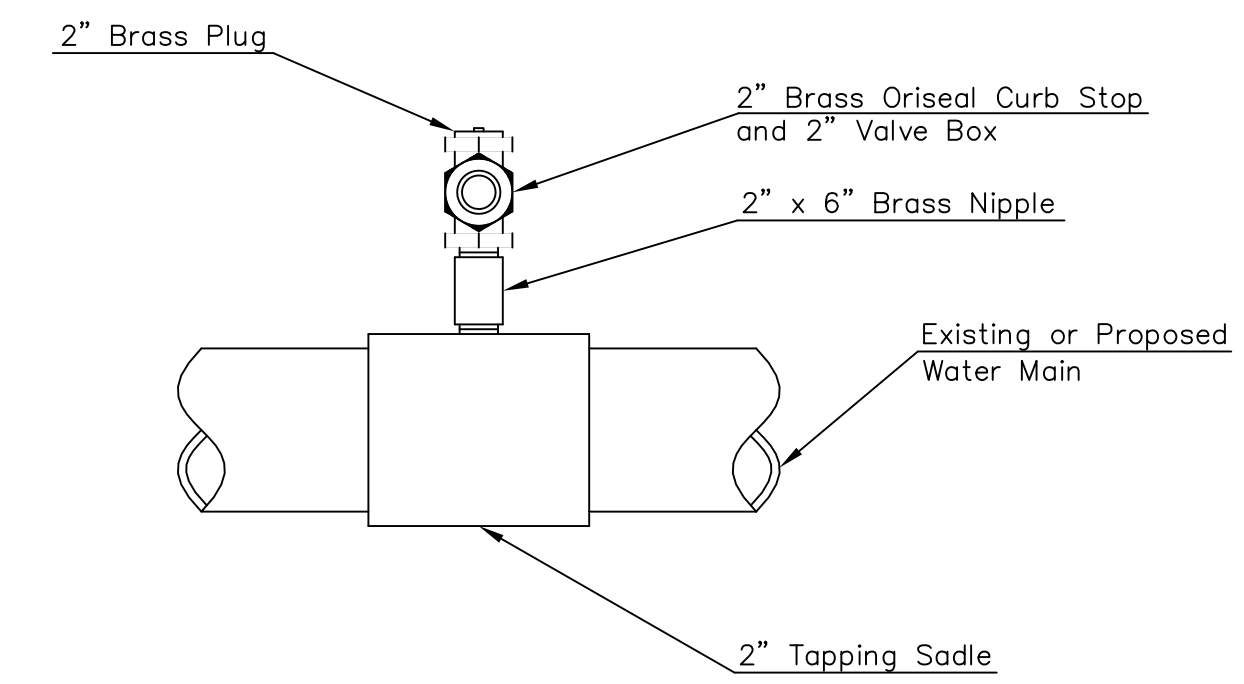
If customers service line is not installed at the time Meter Box and Setter are installed, Plastic Flagging is to be tied to the end of copper tubing & brought straight up to top of ground and be exposed a minimum of 12" on top of ground. (Plastic Flagging to be Furnished by Contractor)

**TYPICAL METER SETTING
 PLASTIC FLAGGING**



Other Approved Ring And Lids: Ford Meter Box Co. Inc. 21" Ring & Lid Catalog No. C-4

RING & LID FOR METER VAULTS



Note: Where the 2" service outlet assembly is to be used to connect a 2" main to another main, the 2" valve shall be a 2" IPT Gate Valve. 2" Ball or Globe valve shall not be approved for this use.

2" SERVICE OUTLET ASSEMBLY



REVISED APR 97

STANDARD WATER SERVICE DETAILS			
CITY ENGINEER			
JAMES L. ARMOUR, P.E., L.S.			
PROJECT NUMBER	OCA NUMBER	DATE	
448-90215	-	9/2006	
CITY ENGINEER'S OFFICE		DESIGN	DRAWN
CITY HALL - SEVENTH FLOOR 455 NORTH MAIN STREET WICHITA, KANSAS 67202-1620 (316) 268-4501 (316) 268-4114 FAX		COW	COW
			SHEET
			6 OF 6