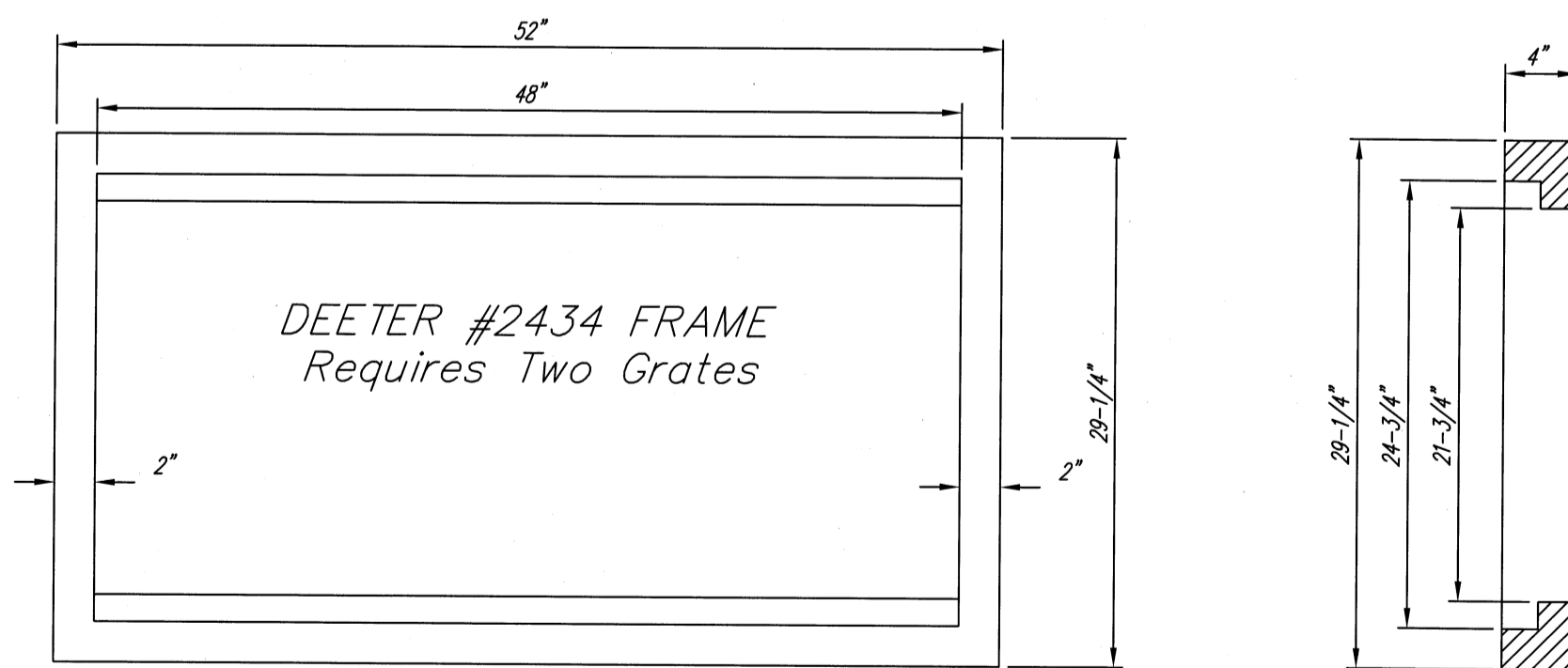


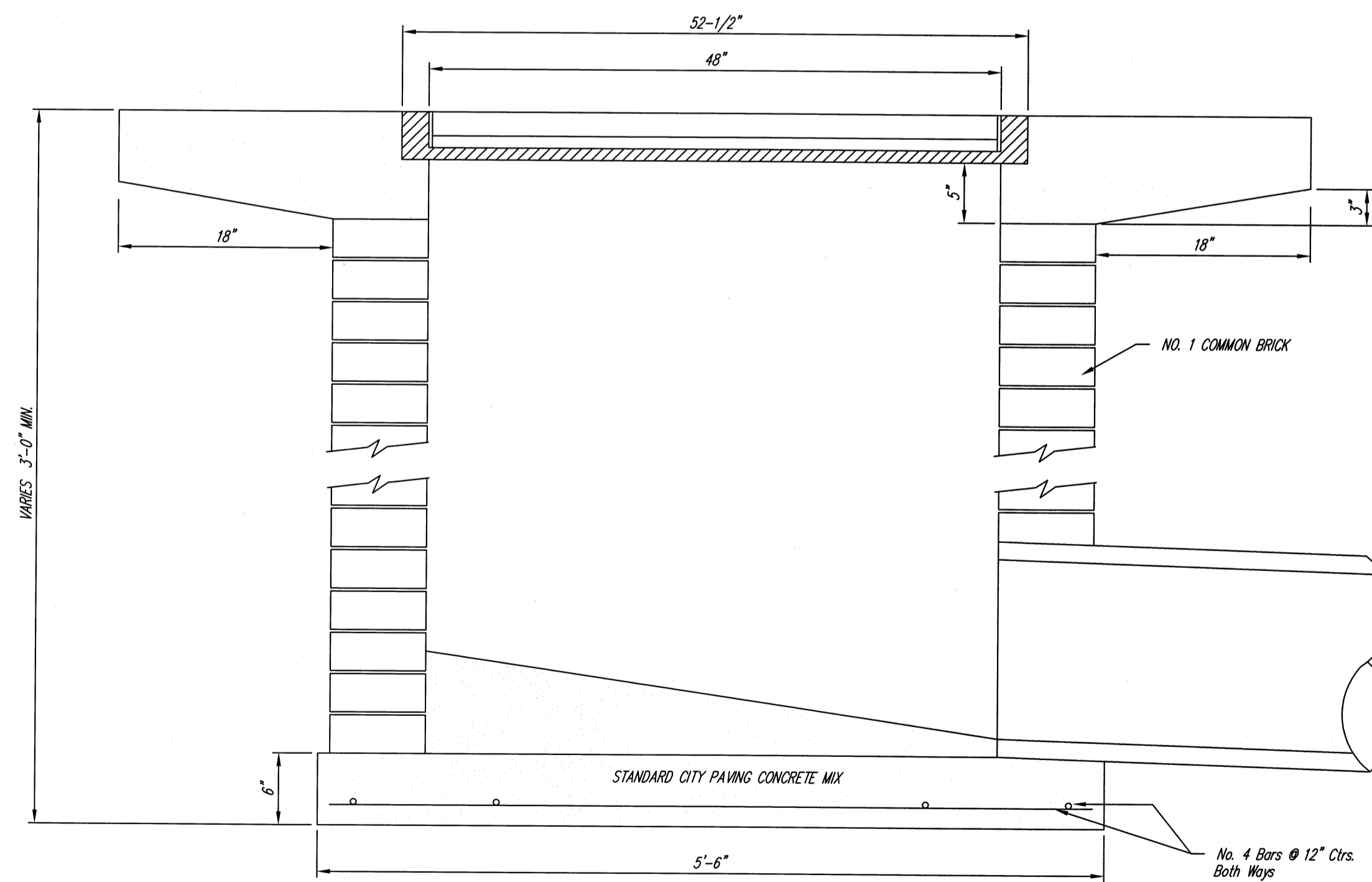
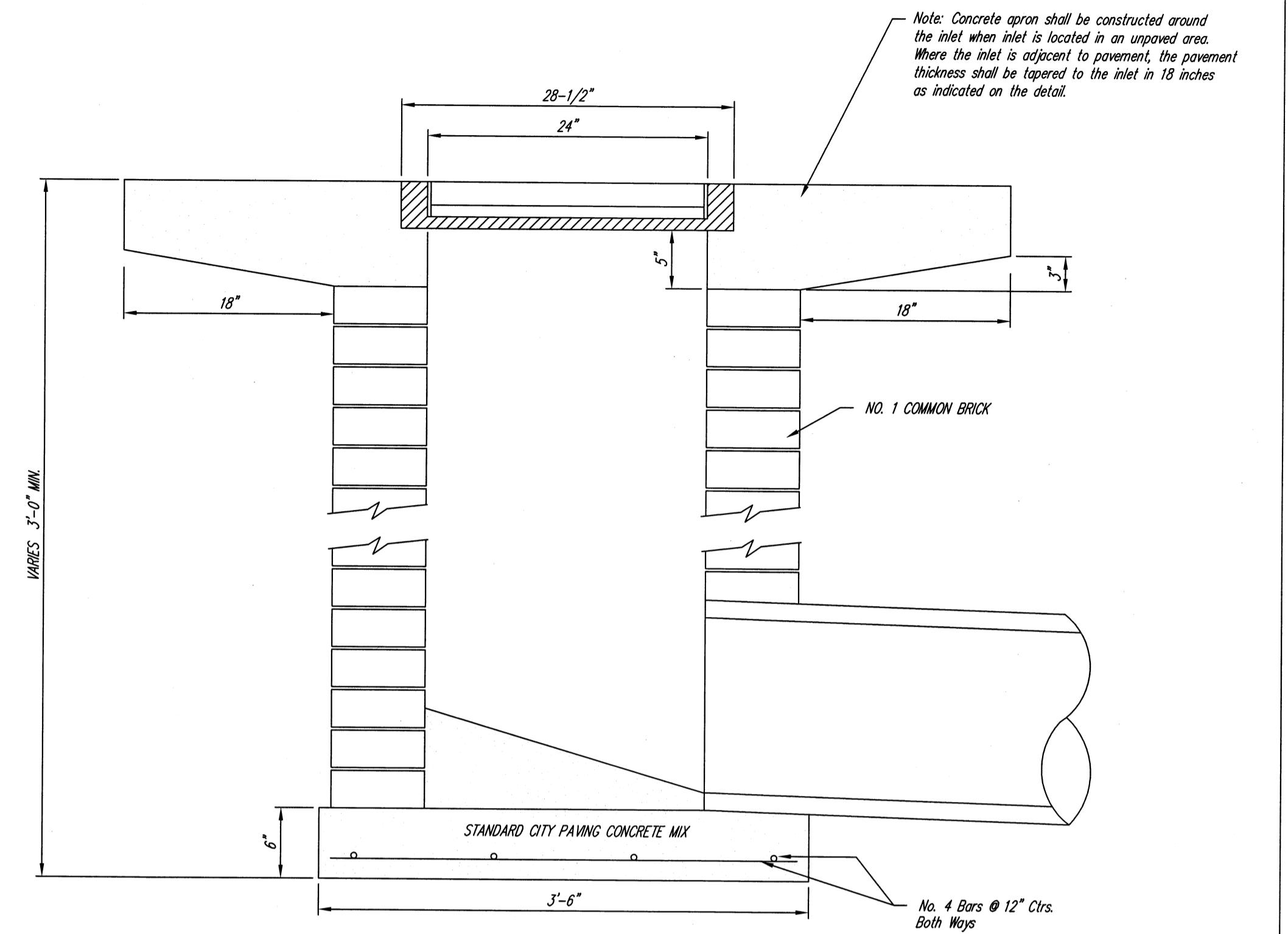
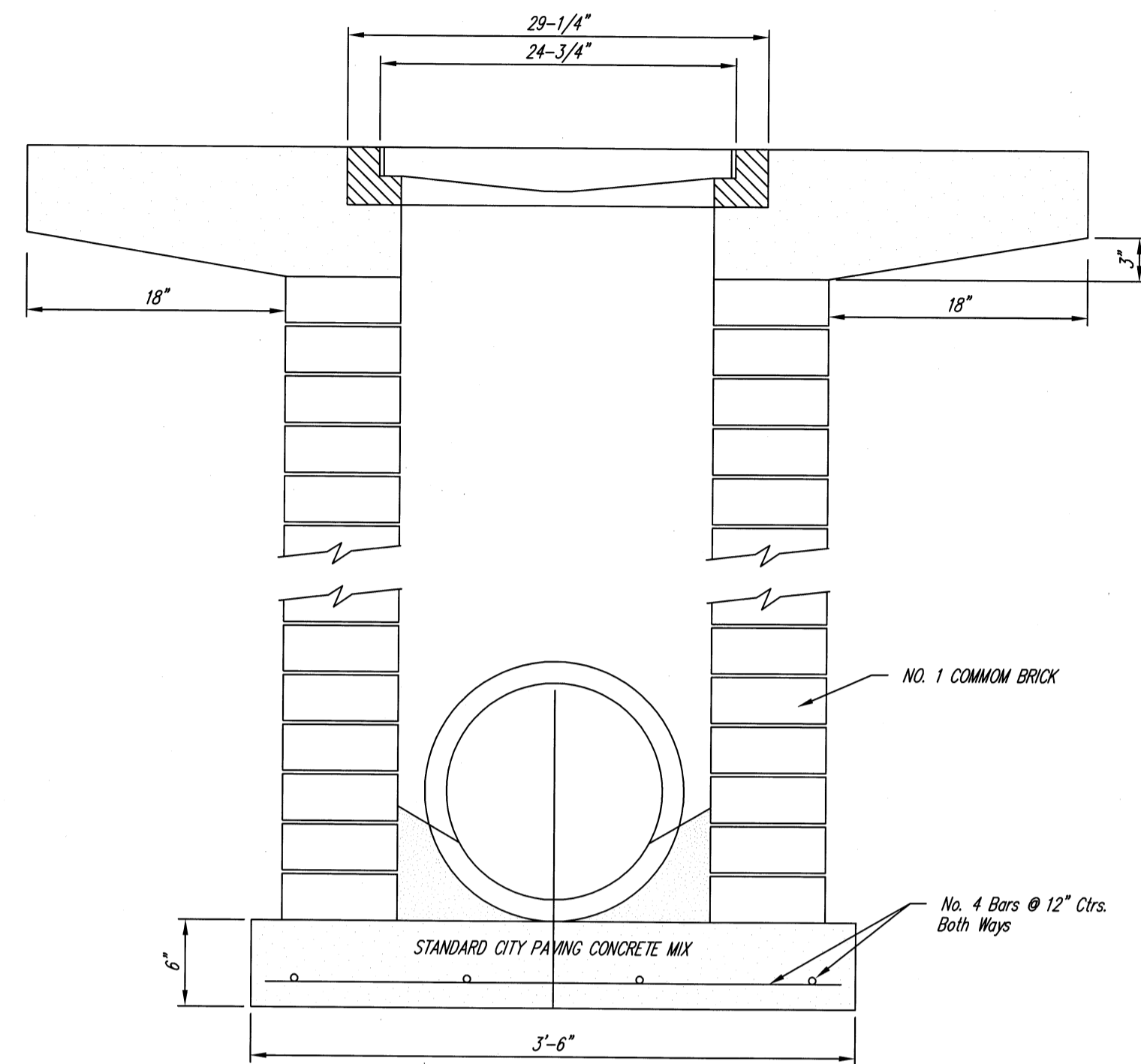
DEETER #2433 GRATE

24" x 24" Frame and Grate Detail

NOTE: Grates shall be imprinted on the top surface with "CITY OF WICHITA" using letters at least 1" in height. Other marking methods may be approved by the engineer.



Double 24" x 24" Frame Detail



<p>THE CITY OF WICHITA</p> <p>CITY ENGINEER'S OFFICE CITY HALL - SEVENTH FLOOR 455 NORTH MAIN STREET WICHITA, KANSAS 67202 (316) 268-4501 (316) 268-4114 FAX</p>	<p>DROP INLET 2' X 2' / 2' X 4'</p>	
	<p>JAMES L. ARMOUR, P.E., L.S. - CITY ENGINEER</p>	
	<p>PROJECT NUMBER</p>	<p>INDEX CODE</p>
	<p>DATE 1/2008</p>	<p>SHEET 3 OF 4</p>