

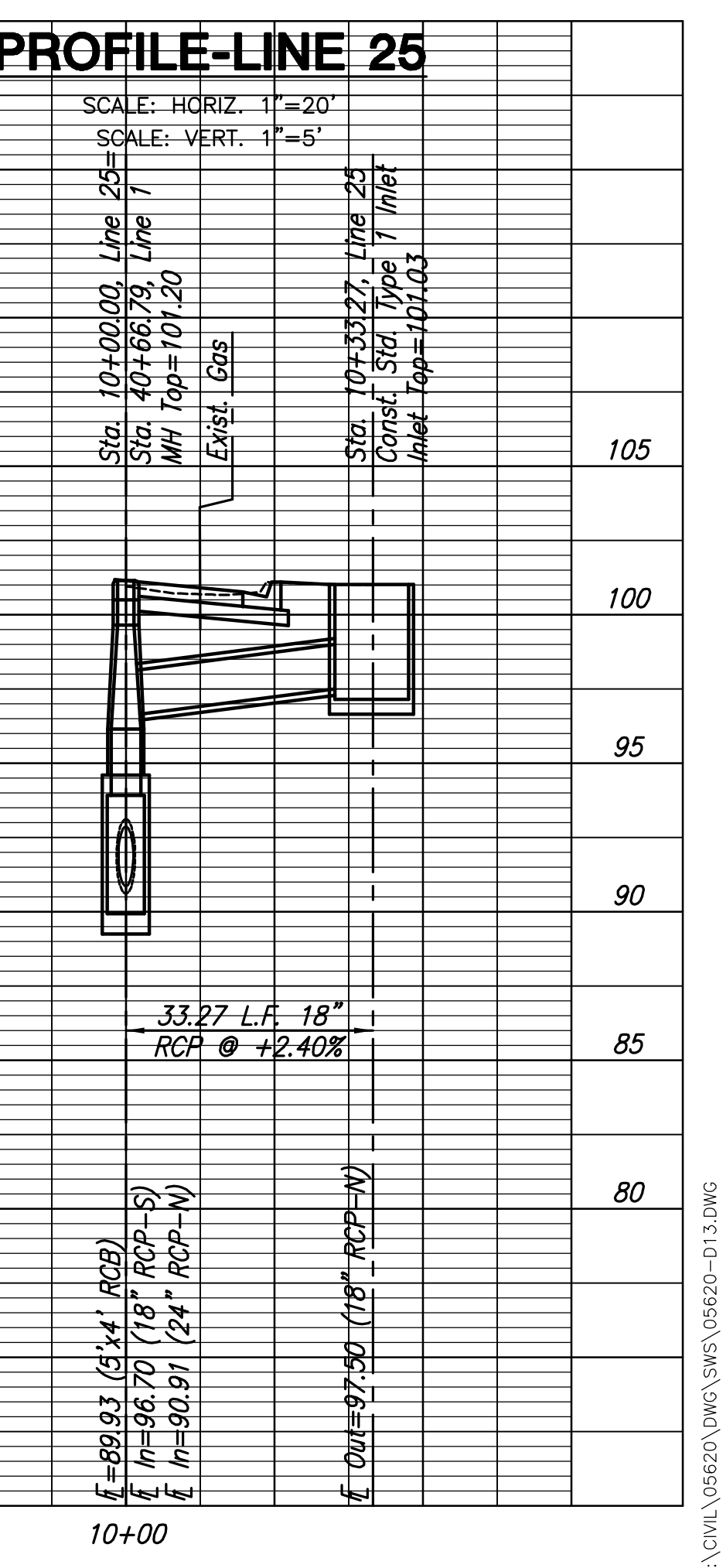
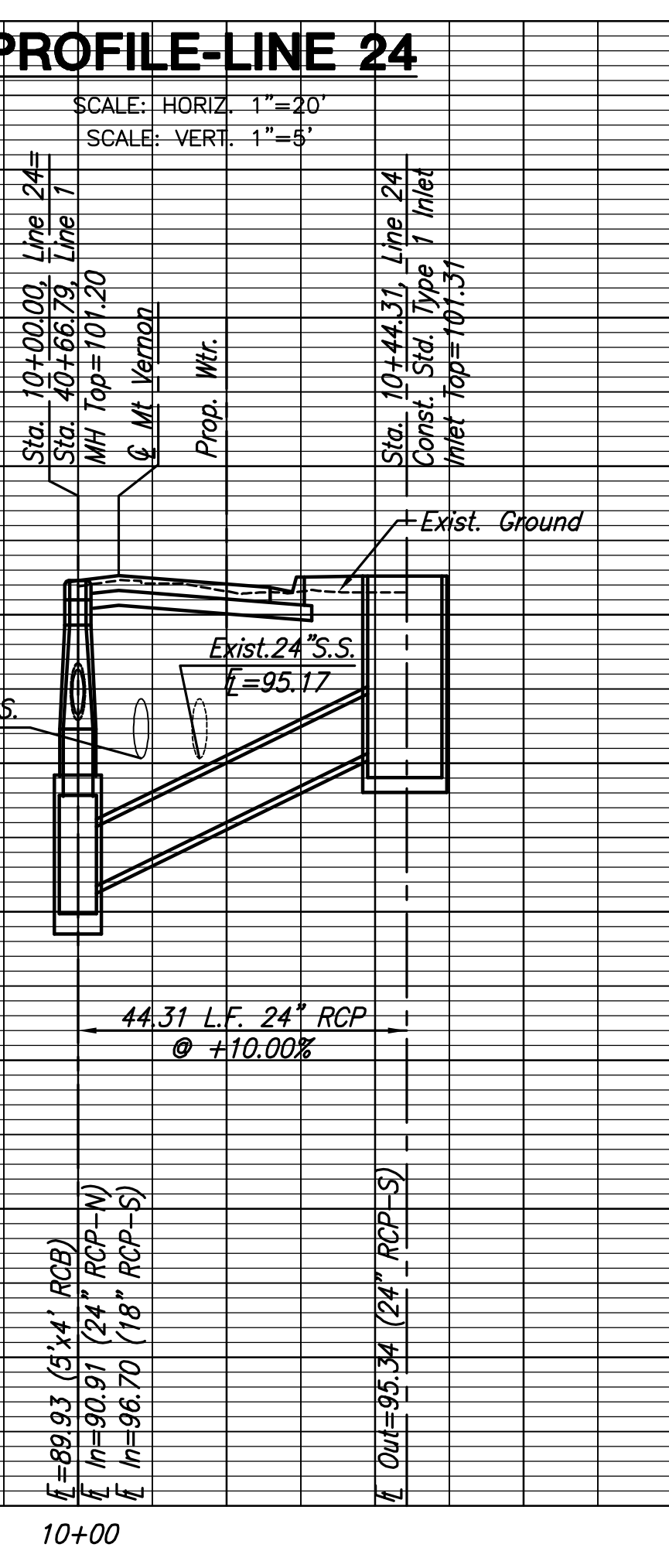
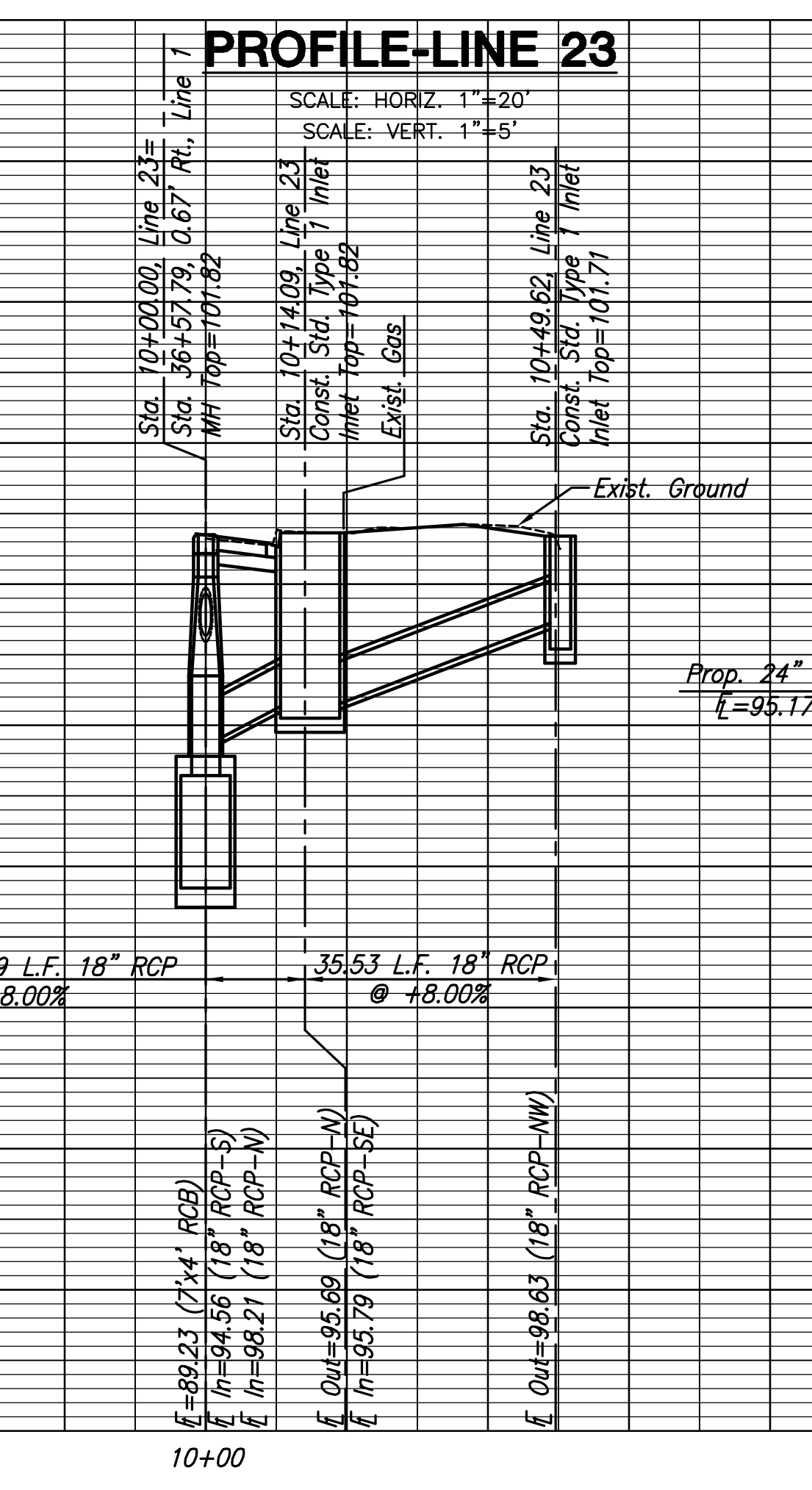
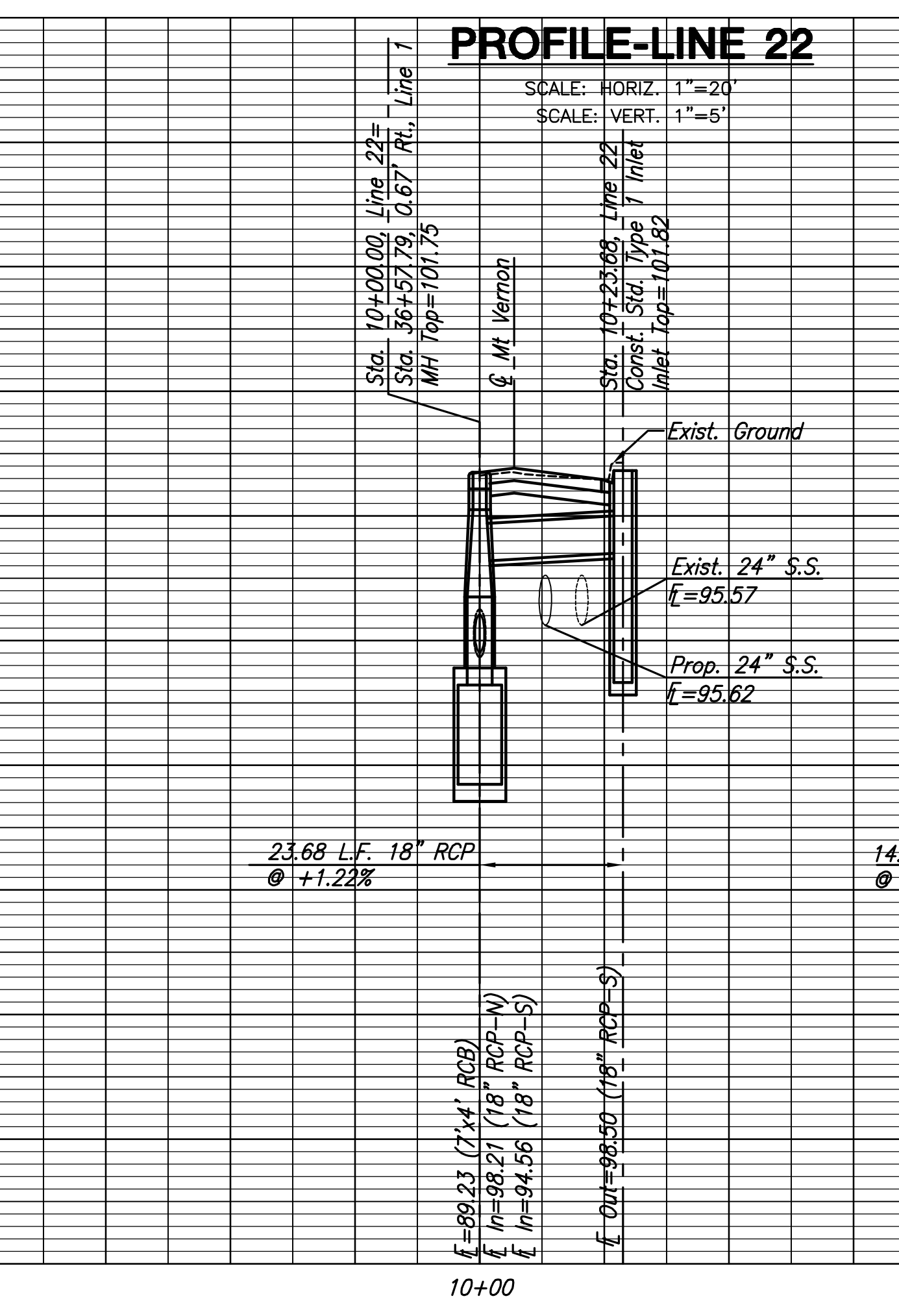
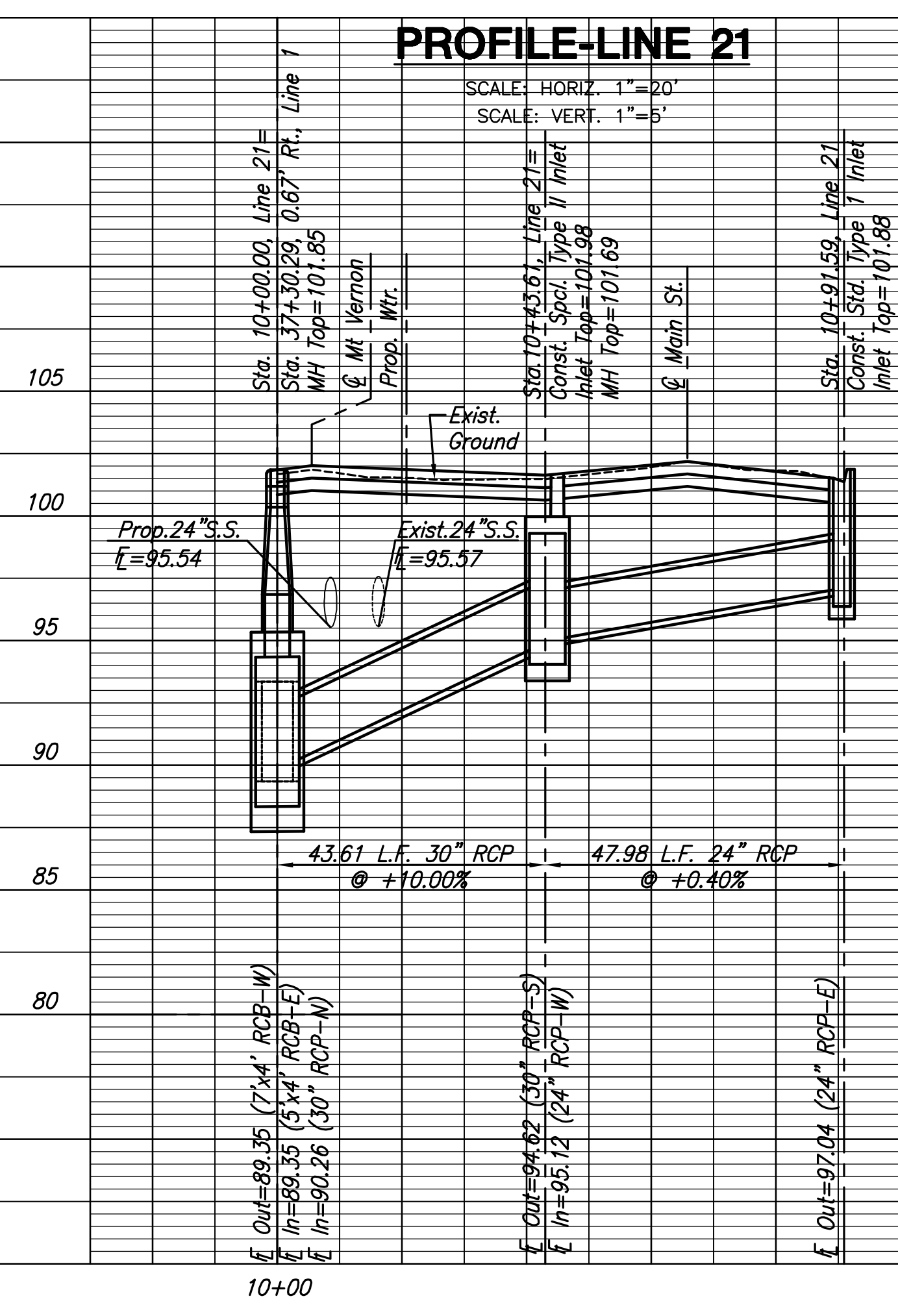
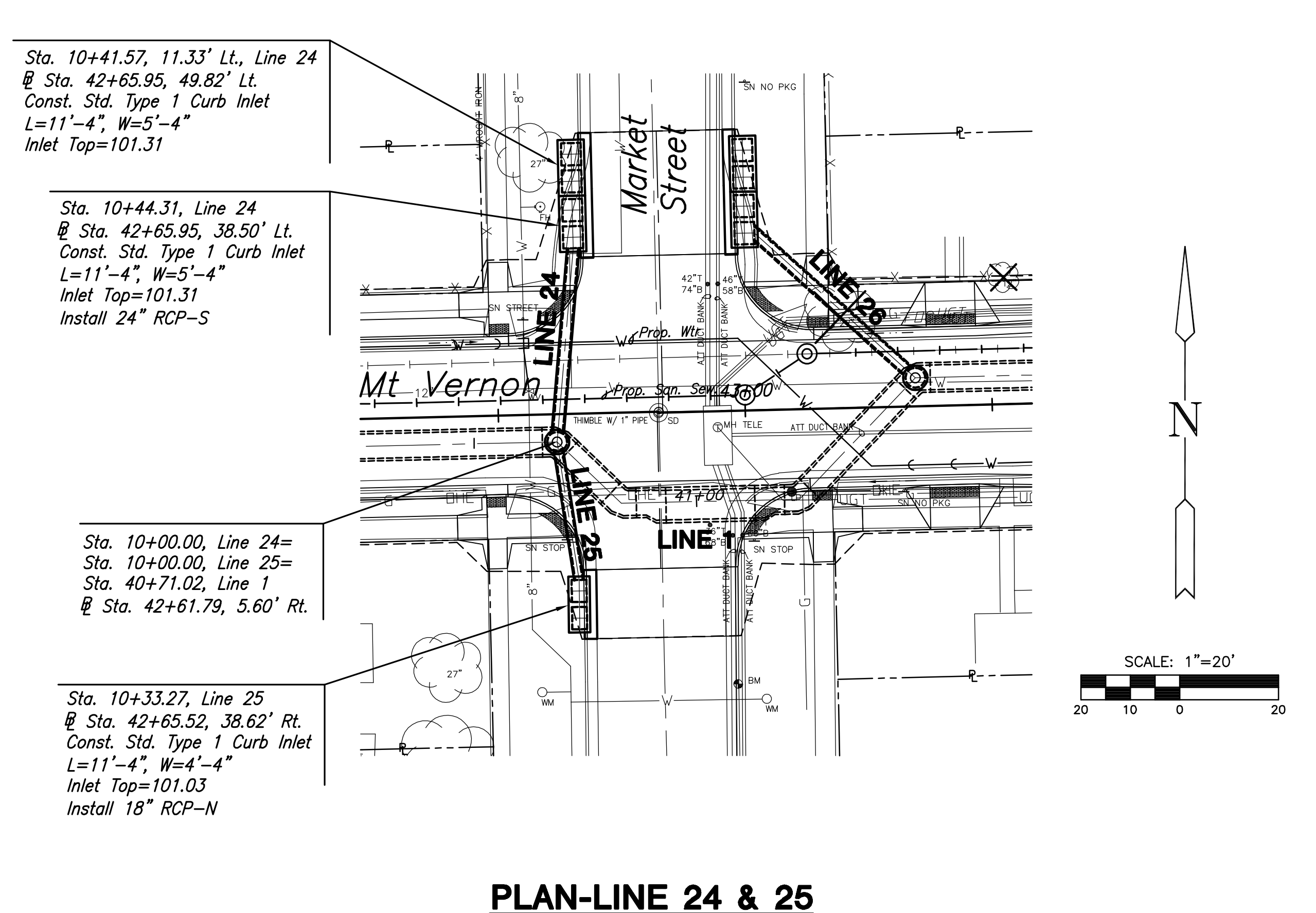
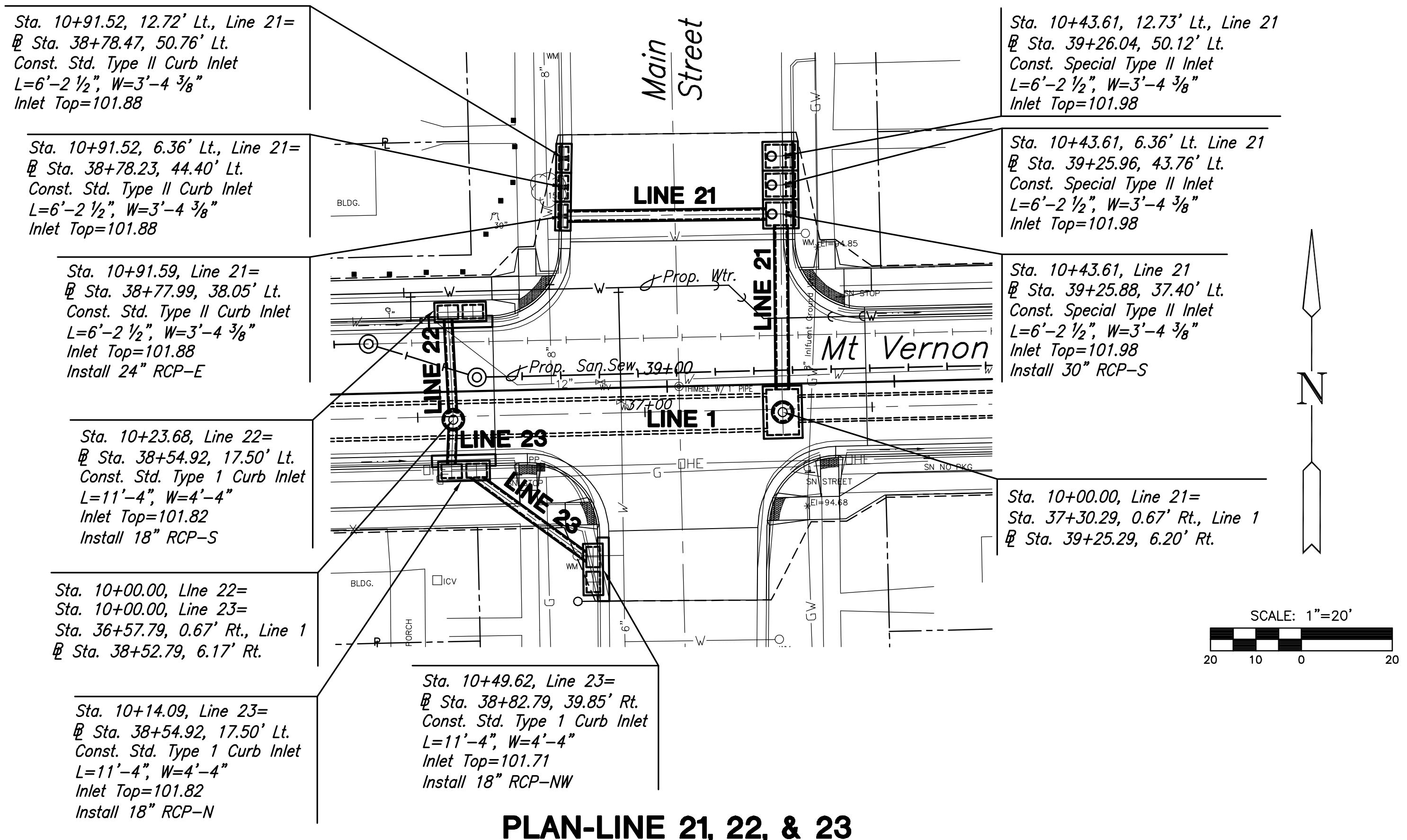
**MT VERNON STREET AND
DRAINAGE IMPROVEMENTS
FROM GREENWAY TO BROADWAY**

**Storm Sewers
Lines 21, 22, 23,
24 & 25**
SHEET TITLE 472-84289
448-90385
468-84514
PROJECT NUMBER

JRA
DESIGN BY
JSB
DRAWN BY
JRA
CHECKED BY

ISSUED
May 27, 2008
REVISED

SHEET NO.
38 of 120



PLOTTED: Thursday, May 27, 2008 @ 04:33PM

J:\CIVIL\05620\DWG\SWS\05620-D13.DWG