

**MT VERNON STREET AND
DRAINAGE IMPROVEMENTS
FROM GREENWAY TO BROADWAY**

**OUTLET
STRUCTURE
DETAILS**

SHEET TITLE 472-84289
448-90385
468-84514
PROJECT NUMBER

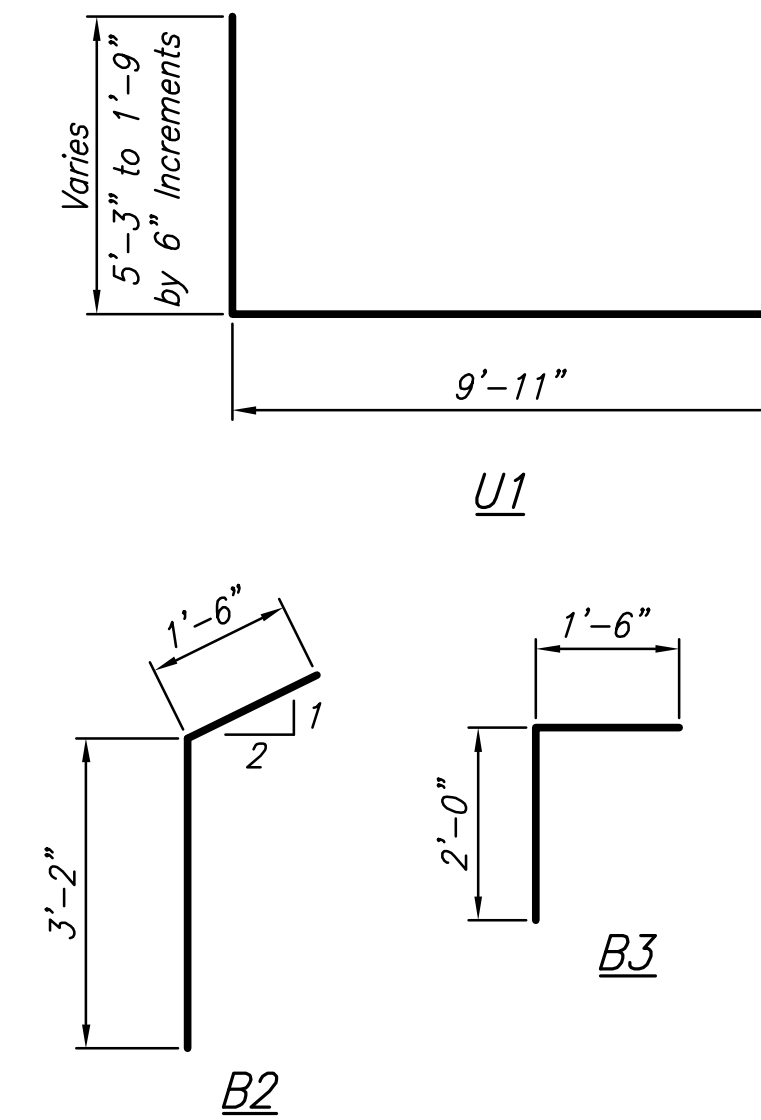
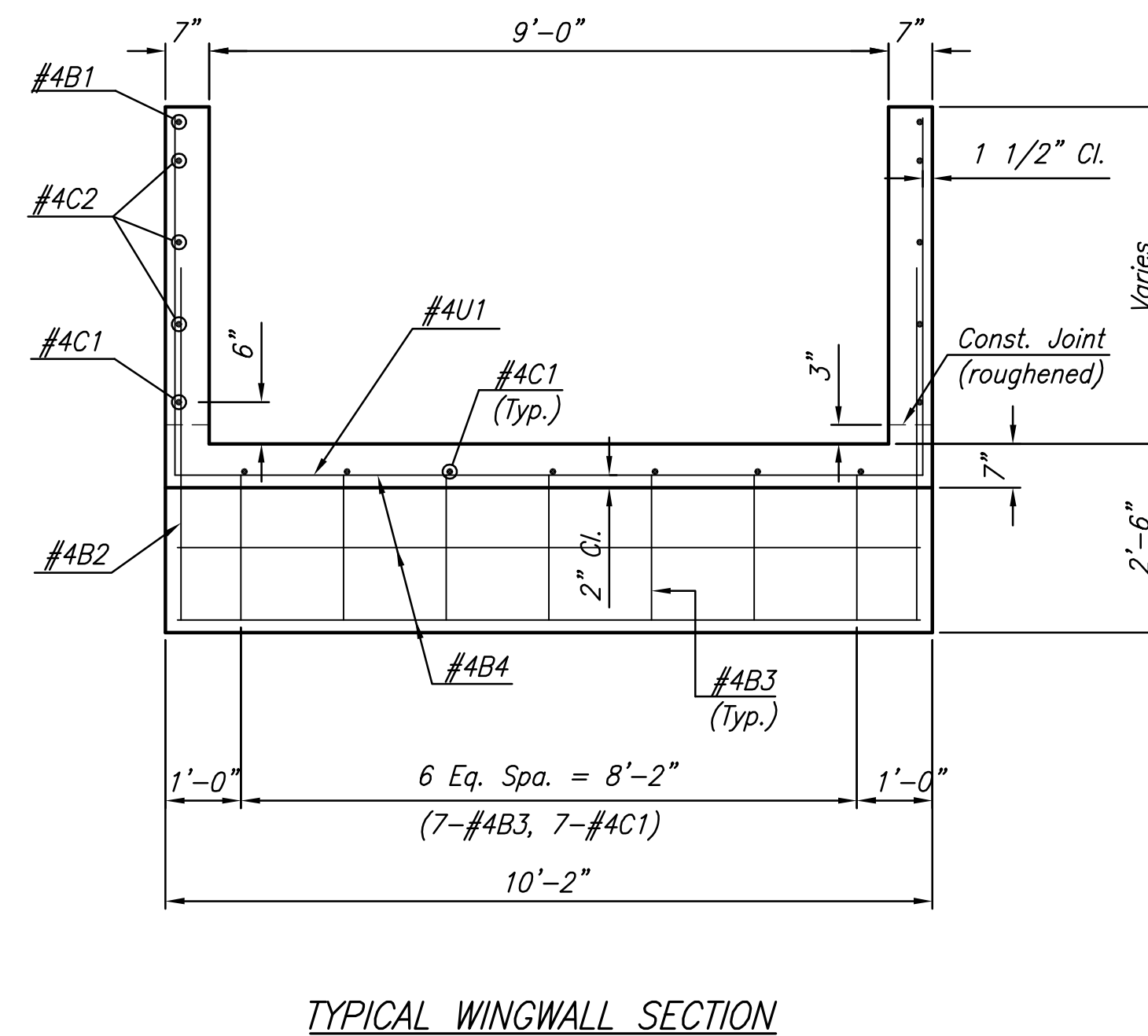
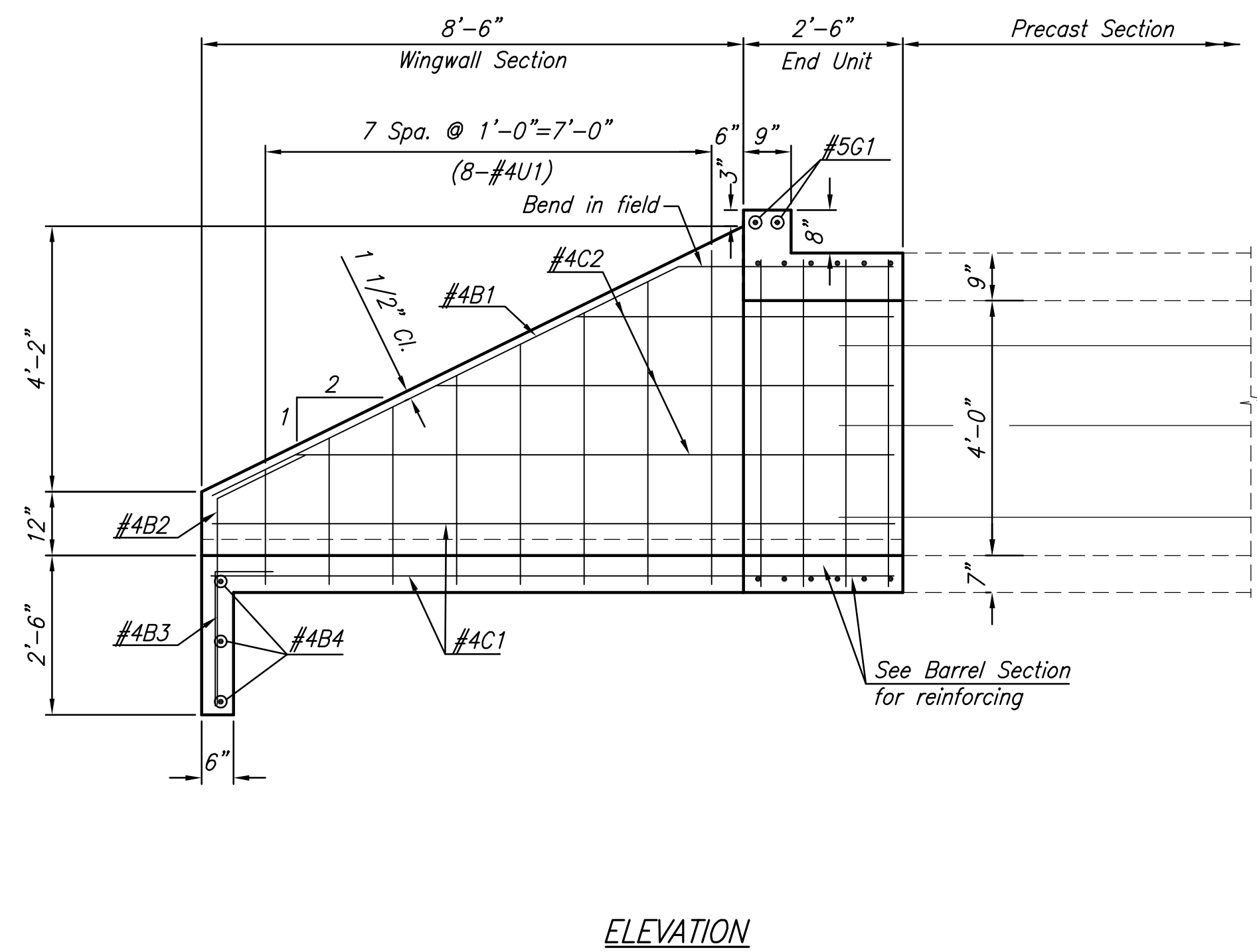
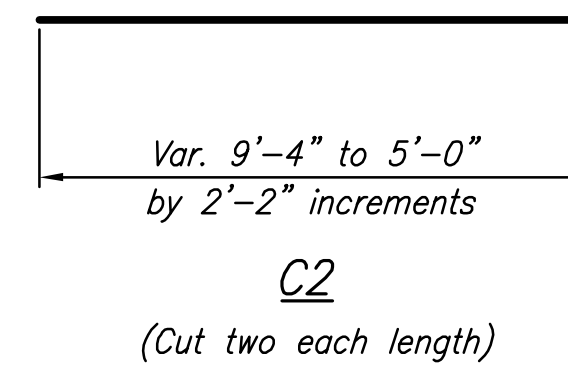
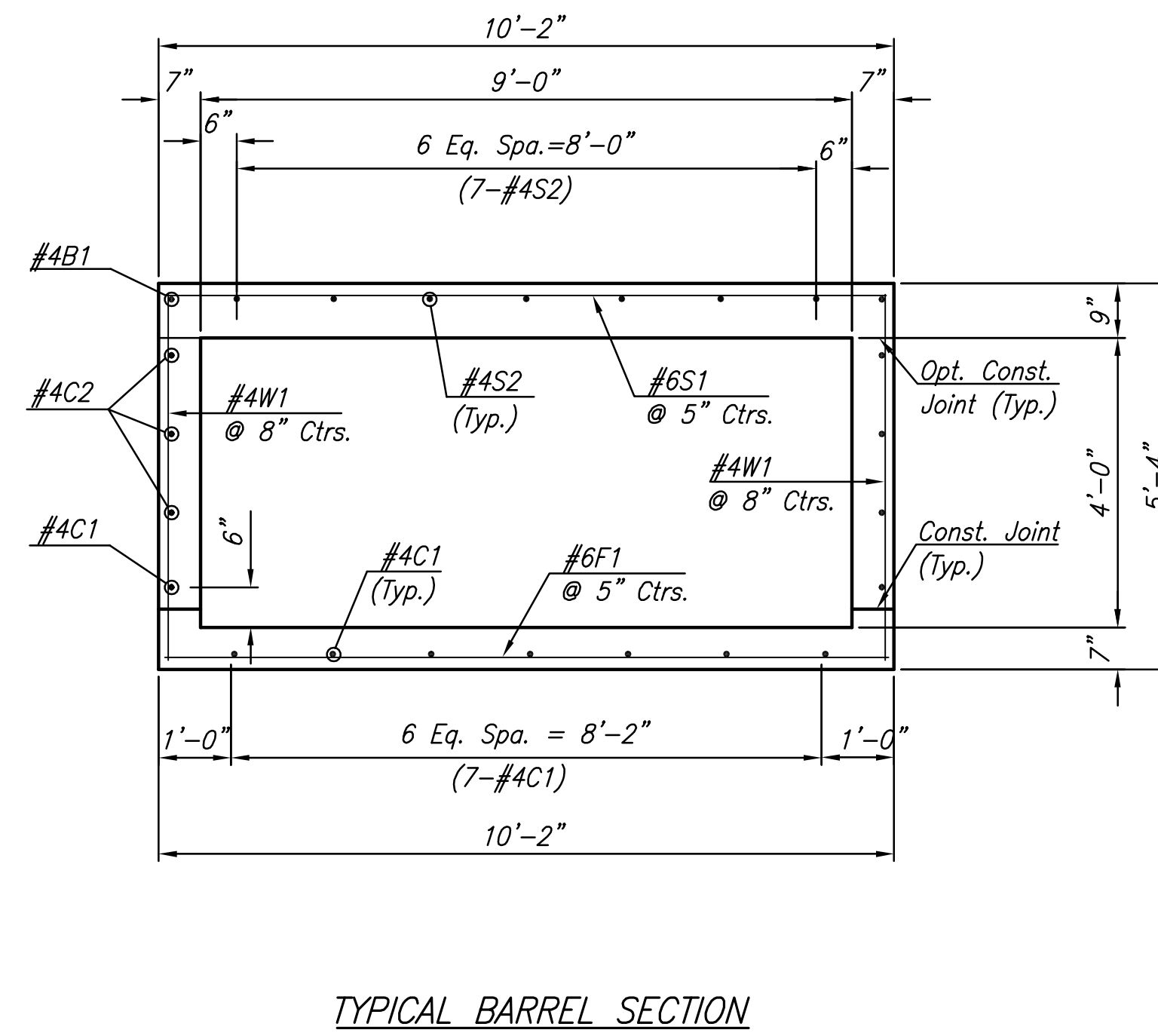
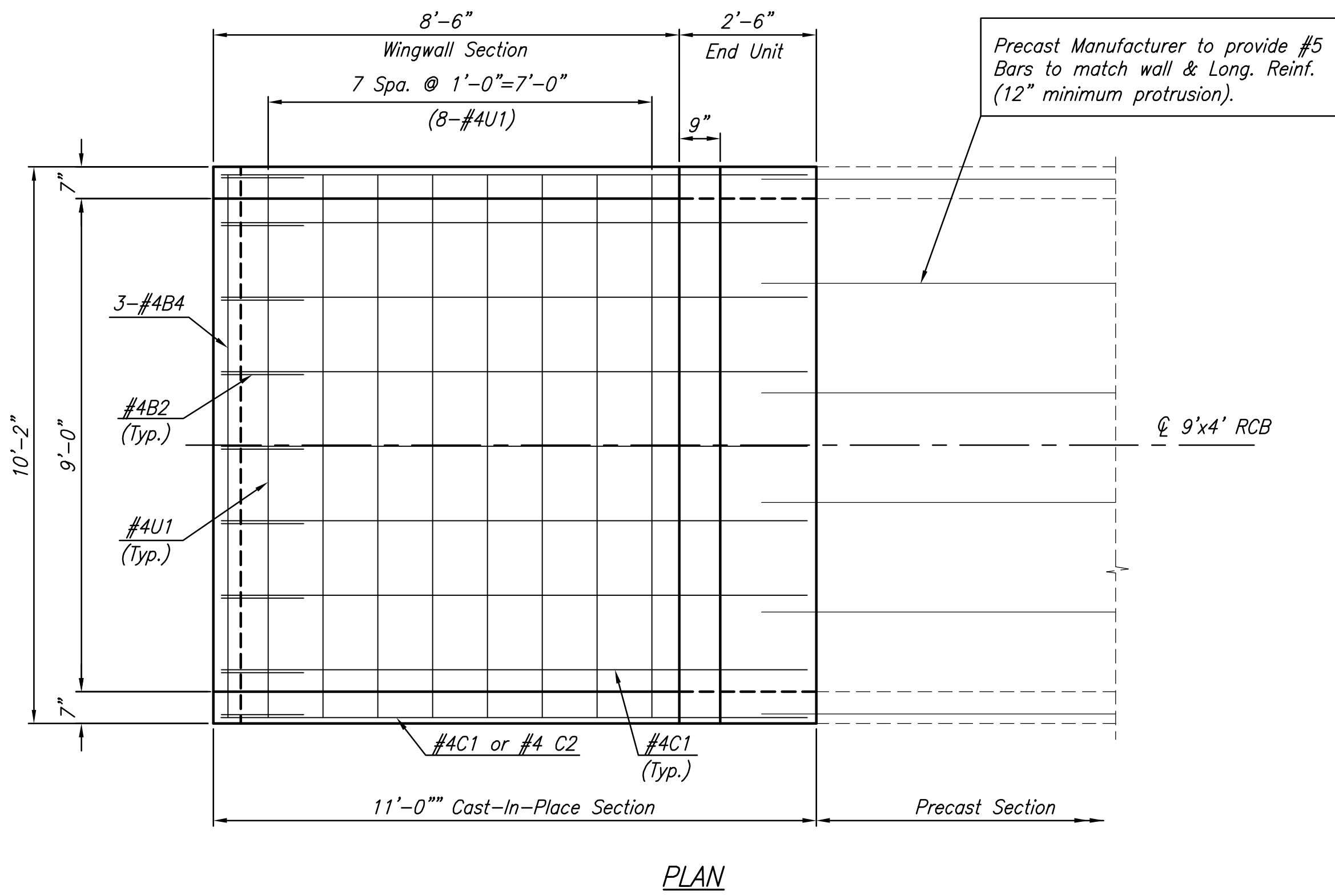
JRA
DESIGN BY
JSB
DRAWN BY
JRA
CHECKED BY

ISSUED
May 27, 2008
REVISED

SHEET NO.

GENERAL NOTES

1. The Cast-In-Place End Section shall be Subsidiary to the Bid Item "SWS Outfall" and shall include all Concrete, Reinforcement, Formwork, Excavation, and all other incidentals necessary to connect RCB Sections.
2. End of Cast-In-Place RCB and Beginning of Precast Section is tentative. Either section may extend past limits shown per Contractor's methods and as clearances dictate. No additions of Precast RCB or Reductions in Quantities will be allowed. Subject to the Engineer's approval.
3. Wingwall floor and toewall shall be constructed with the RCB floor. Wingwalls to be constructed with RCB walls.



END SECTION QUANTITY
(For Information Only)

Grade 4.0 Concrete.....	5.24 C.Y.
Reinforcing Steel (Grade 60).....	480 Lbs.

* See Bending Diagram

BAR SCHEDULE

#4B1	#4B2 *	#4B3 *	#4B4	#4C1	#4C2 *	#4U1 *	#6F1	#6S1	#4S2	#4W1	#5G1												
No.	Length	No.	Length	No.	Length	No.	Length	No.	Length	No.	Length												
2	11'-6"	2	4'-8"	7	3'-6"	3	9'-10"	9	10'-8"	6	7'-2" Avg.	8	16'-11" Avg.	6	9'-10"	6	9'-10"	7	2'-2"	8	5'-0"	2	9'-10"