

**MT VERNON STREET AND
DRAINAGE IMPROVEMENTS
FROM GREENWAY TO BROADWAY**

**RC.B.C.
TRANSITION
DETAILS**
SHEET TITLE 472-84289
448-90385
468-84514
PROJECT NUMBER

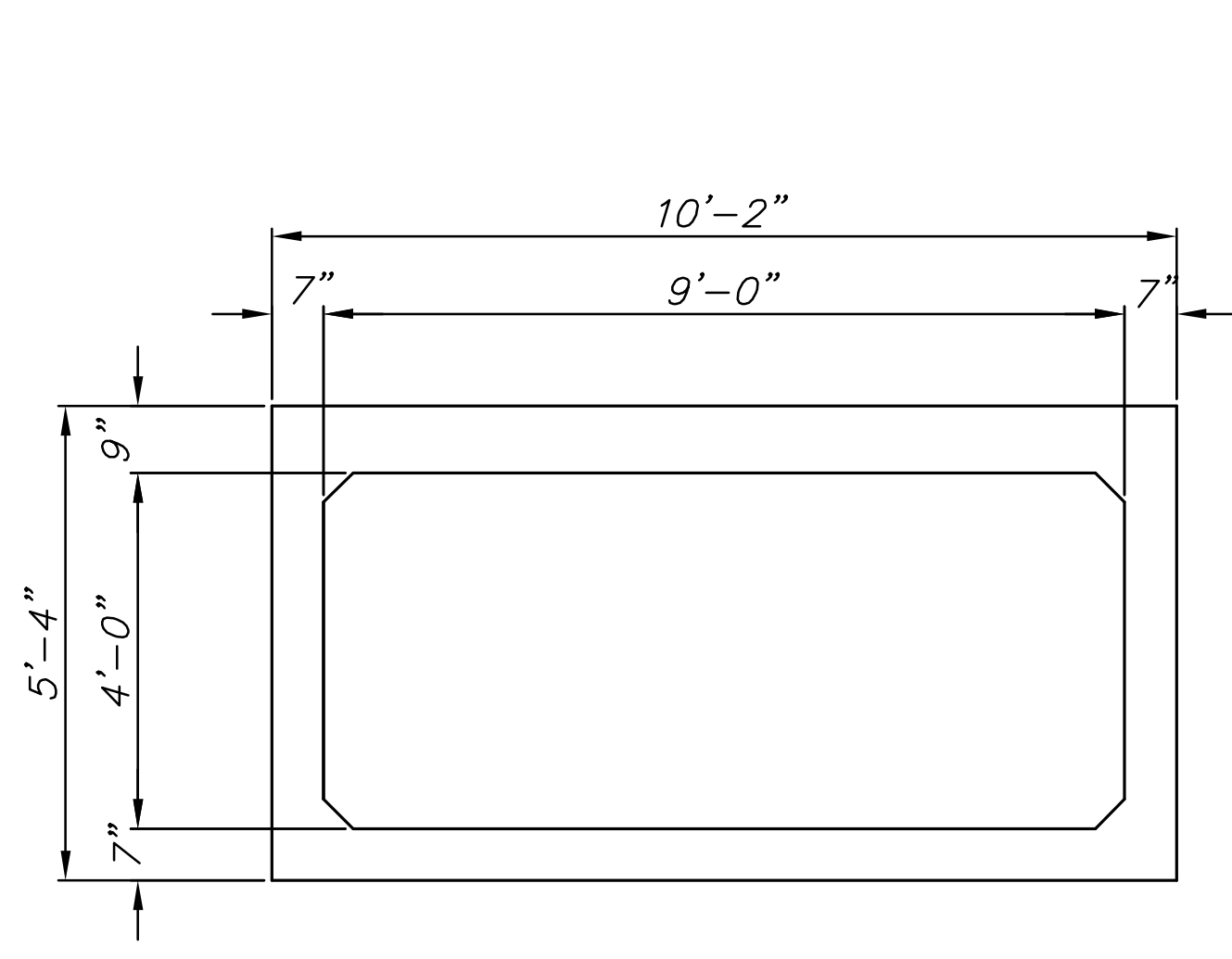
JRA
DESIGN BY
JSB
DRAWN BY
JRA
CHECKED BY

ISSUED
May 27, 2008
REVISED

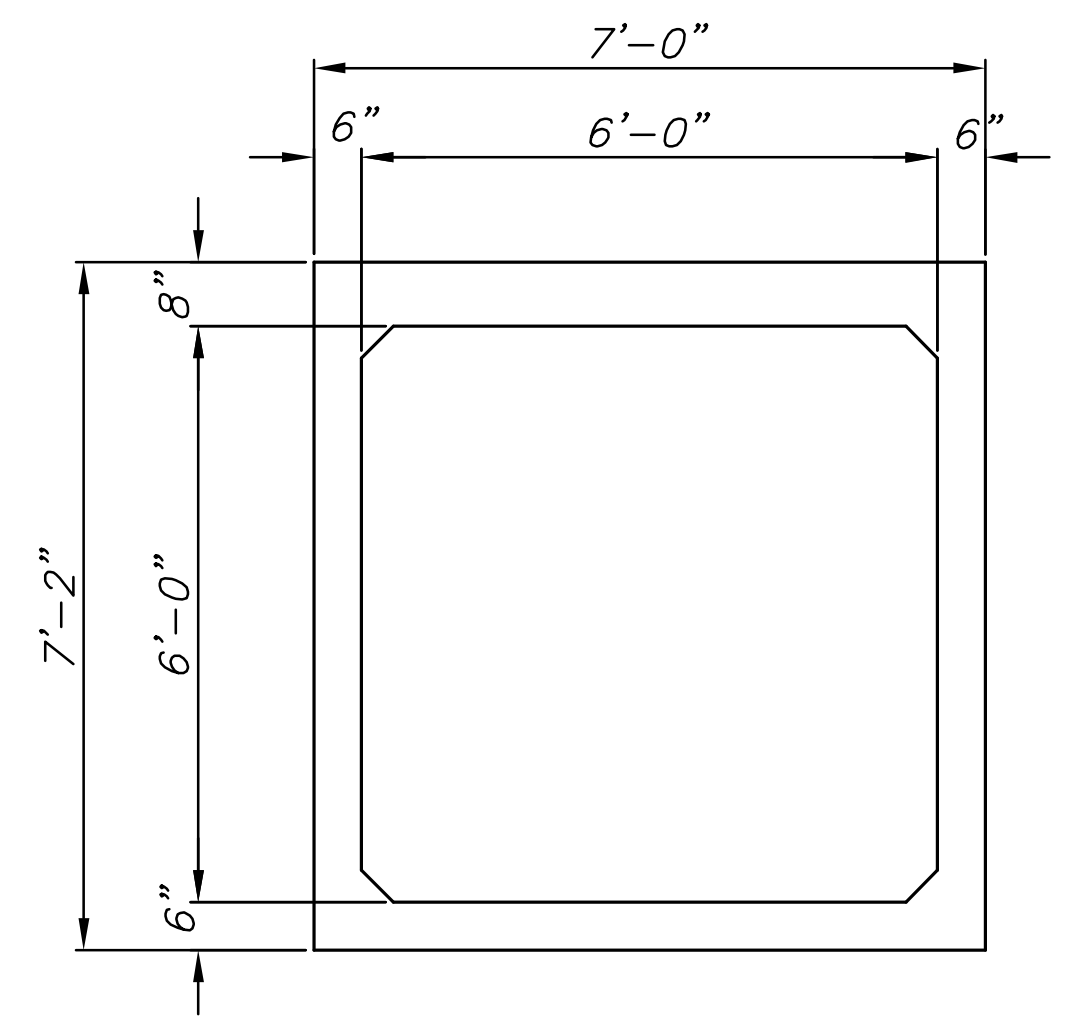
SHEET NO.
46 of 120

J:\CIVIL\05620\DWG\DETAILS\05620DD-3.DWG

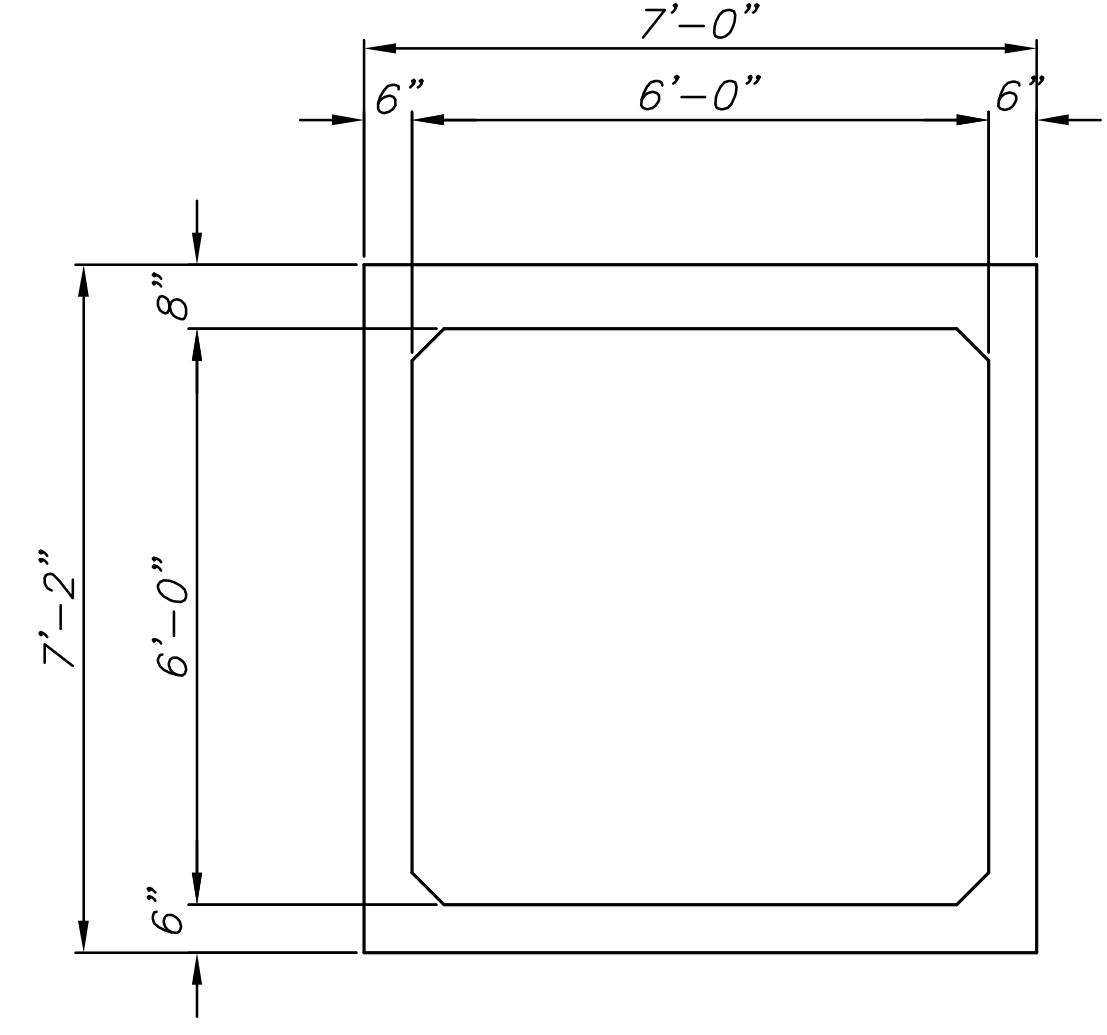
PLOTTED: Tuesday, May 27, 2008 @ 04:44PM



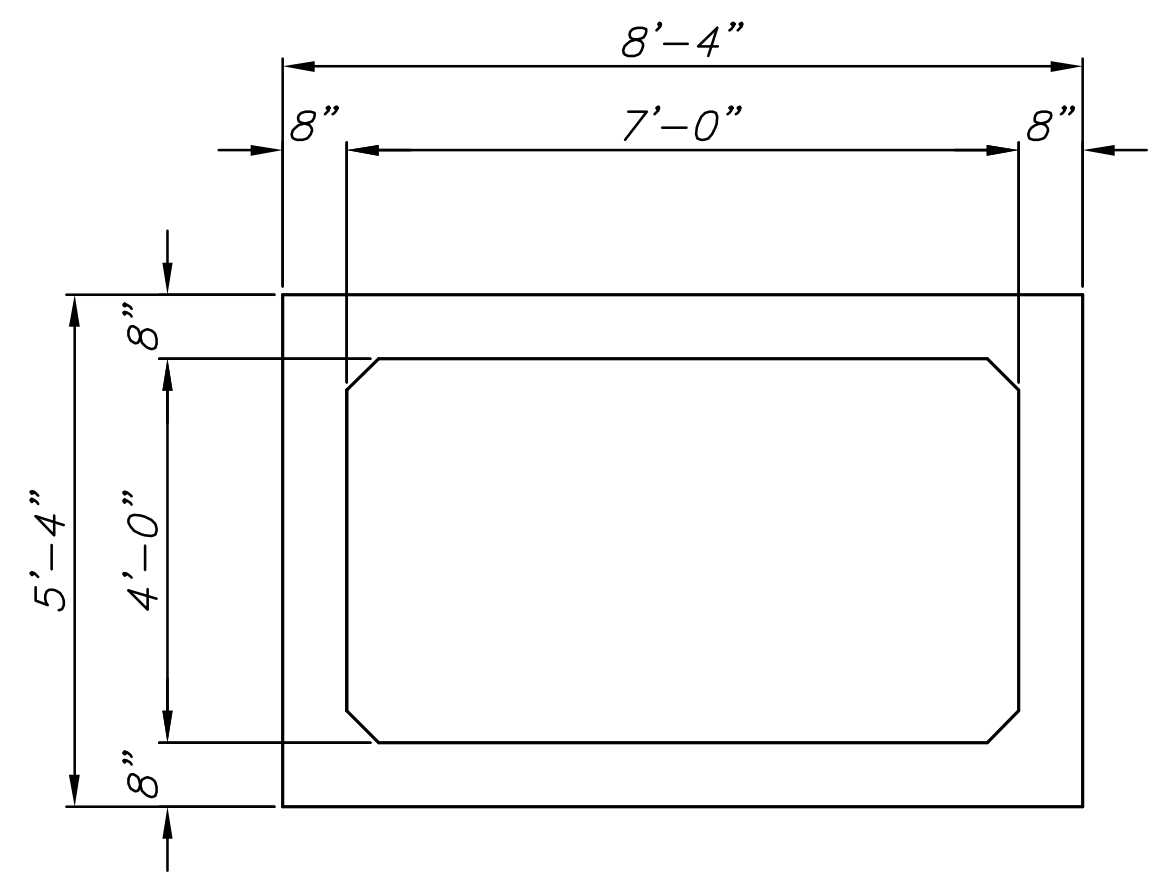
TYPICAL SECTION
(9'-0" X 4'-0" R.C.B.)



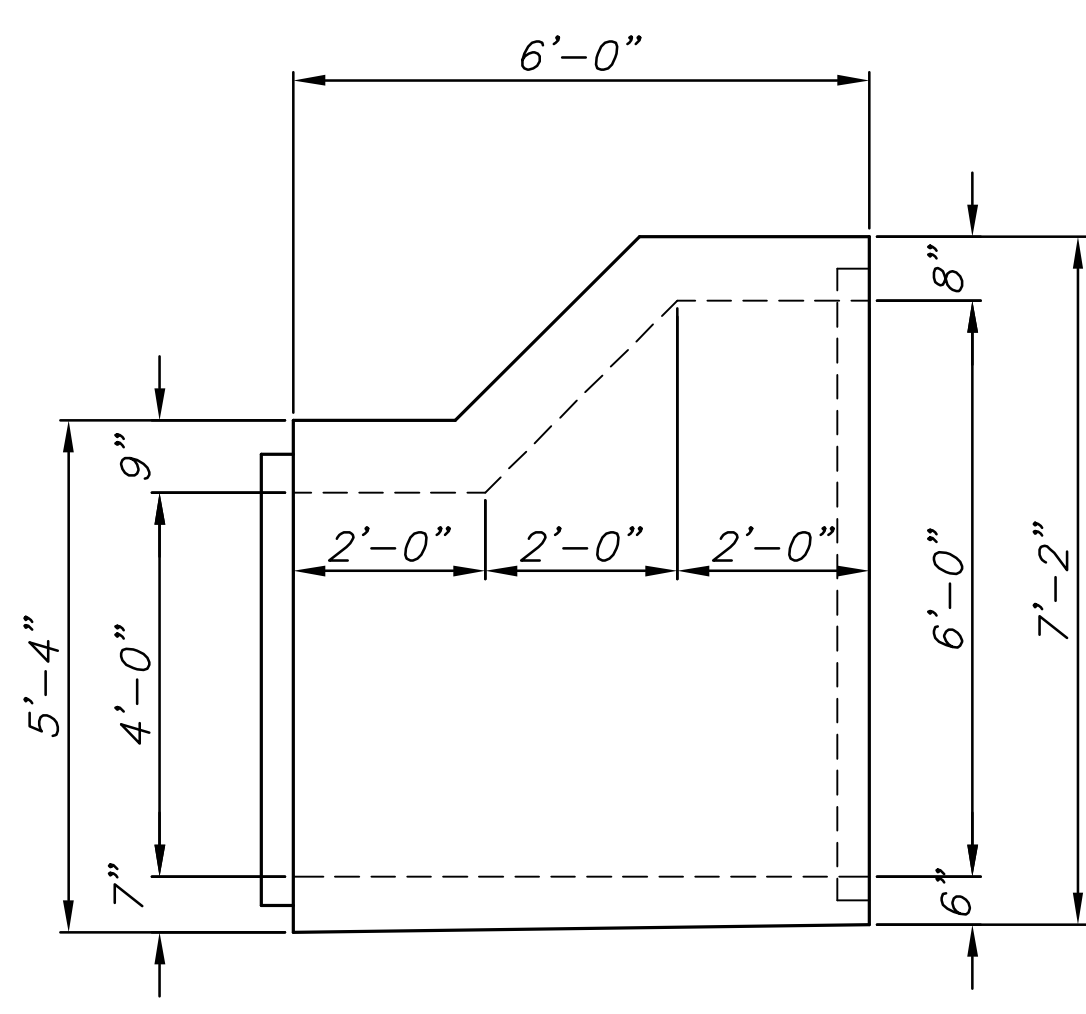
TYPICAL SECTION
(6'-0" X 6'-0" R.C.B.)



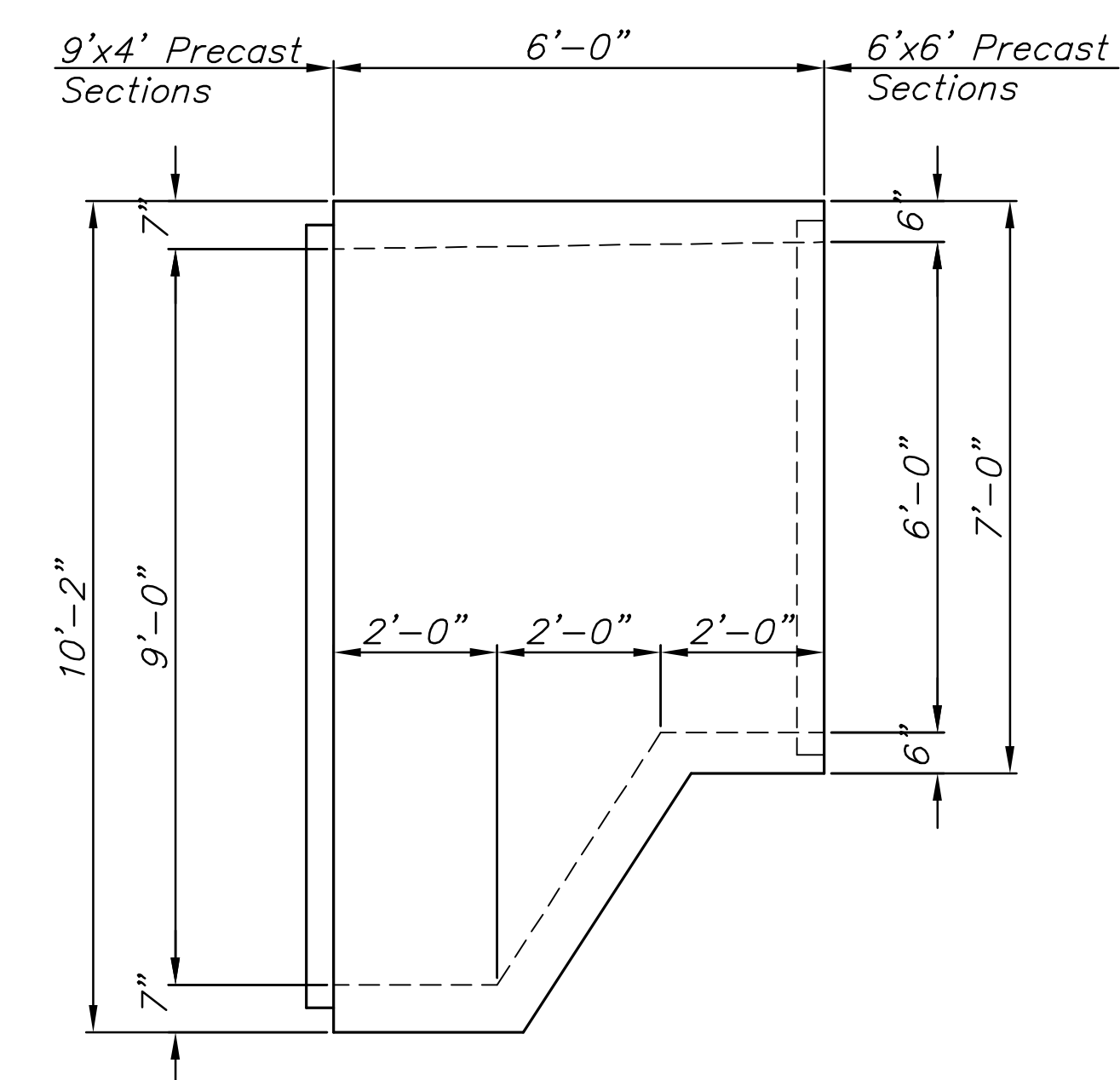
TYPICAL SECTION
(6'-0" X 6'-0" R.C.B.)



TYPICAL SECTION
(7'-0" X 4'-0" R.C.B.)

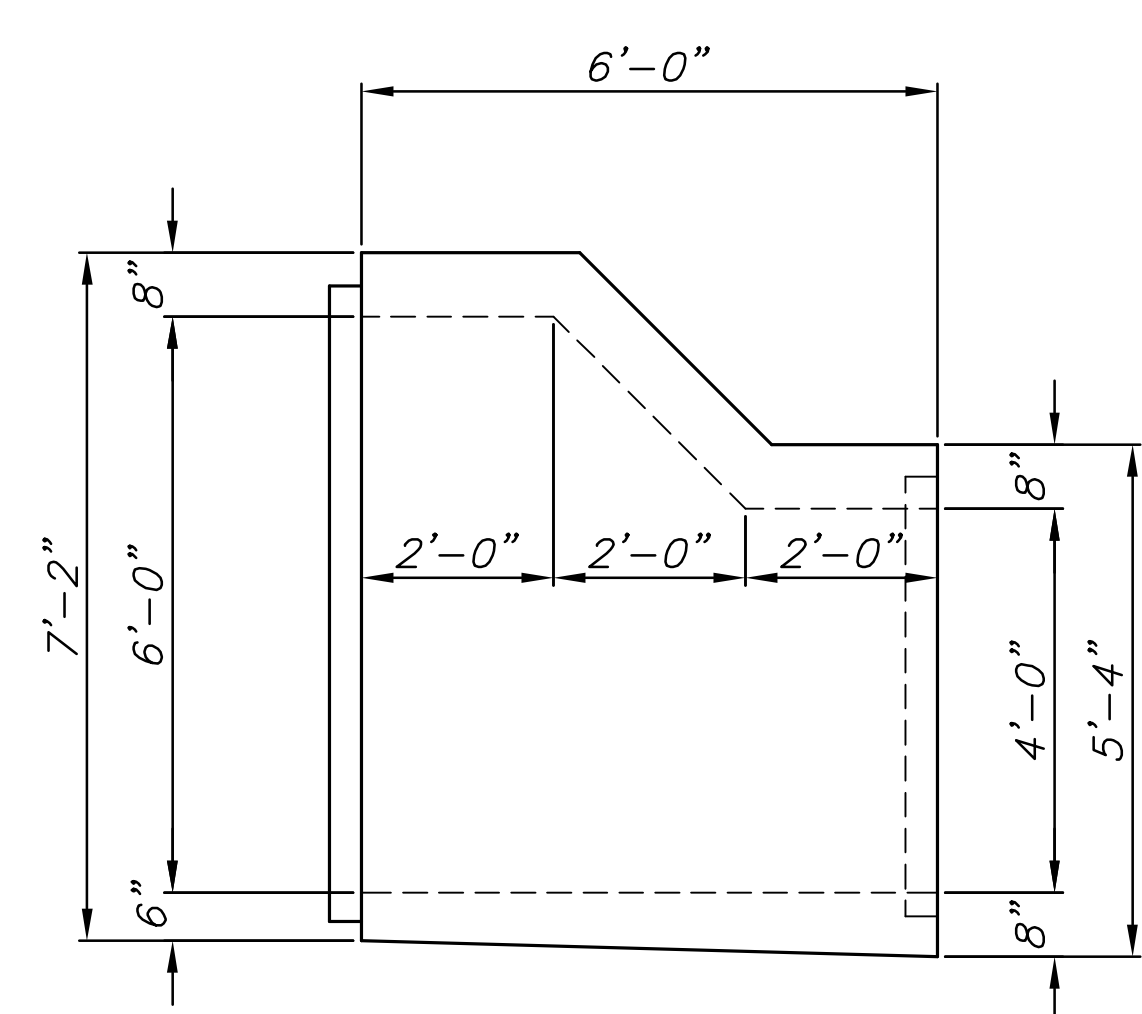


ELEVATION

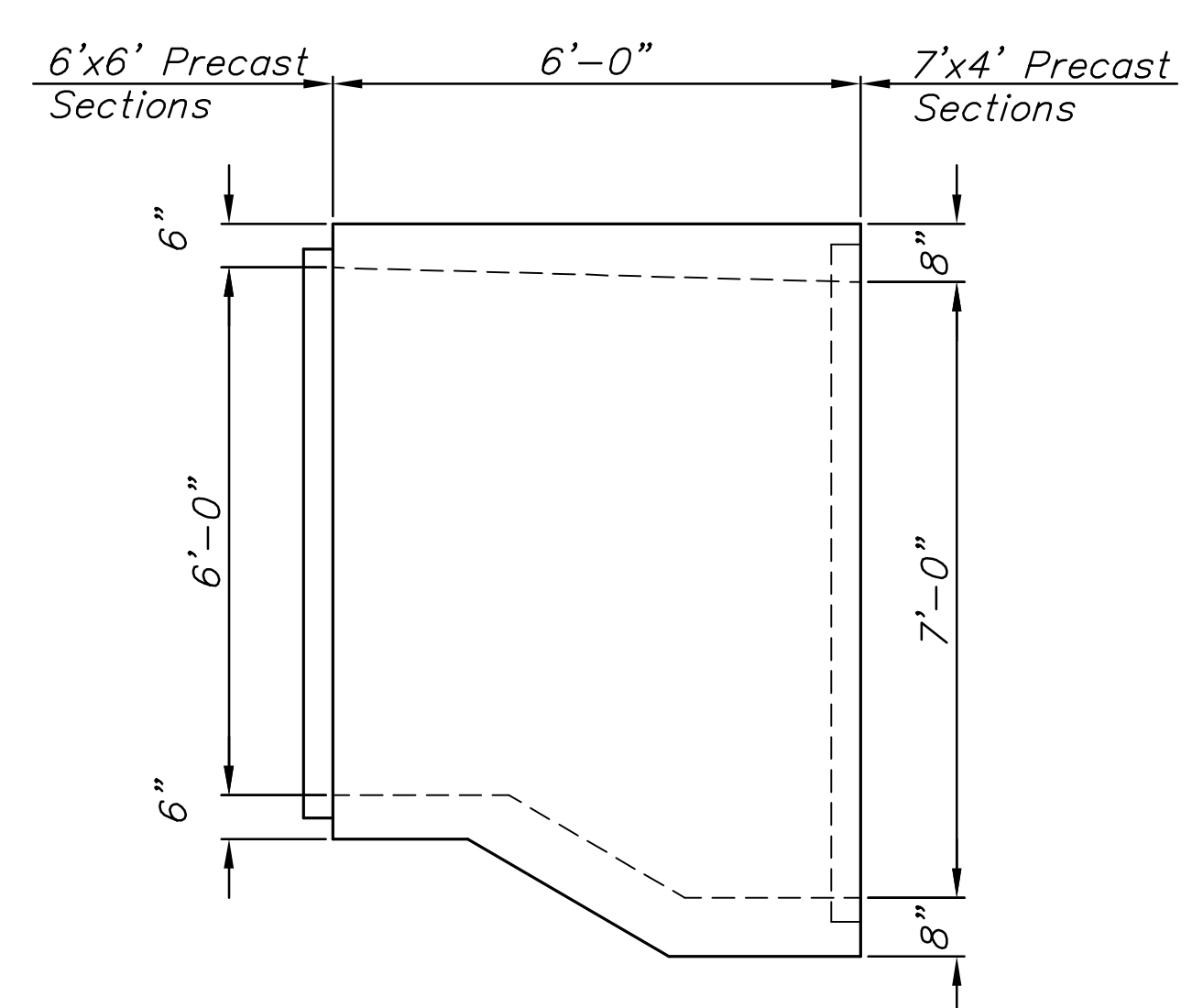


PLAN
(Sta. 9+99.79)

9'X4' TO 6'X6' R.C.B. TRANSITION



ELEVATION



PLAN
(Sta. 22+47.78)

6'X6' TO 7'X4' R.C.B. TRANSITION