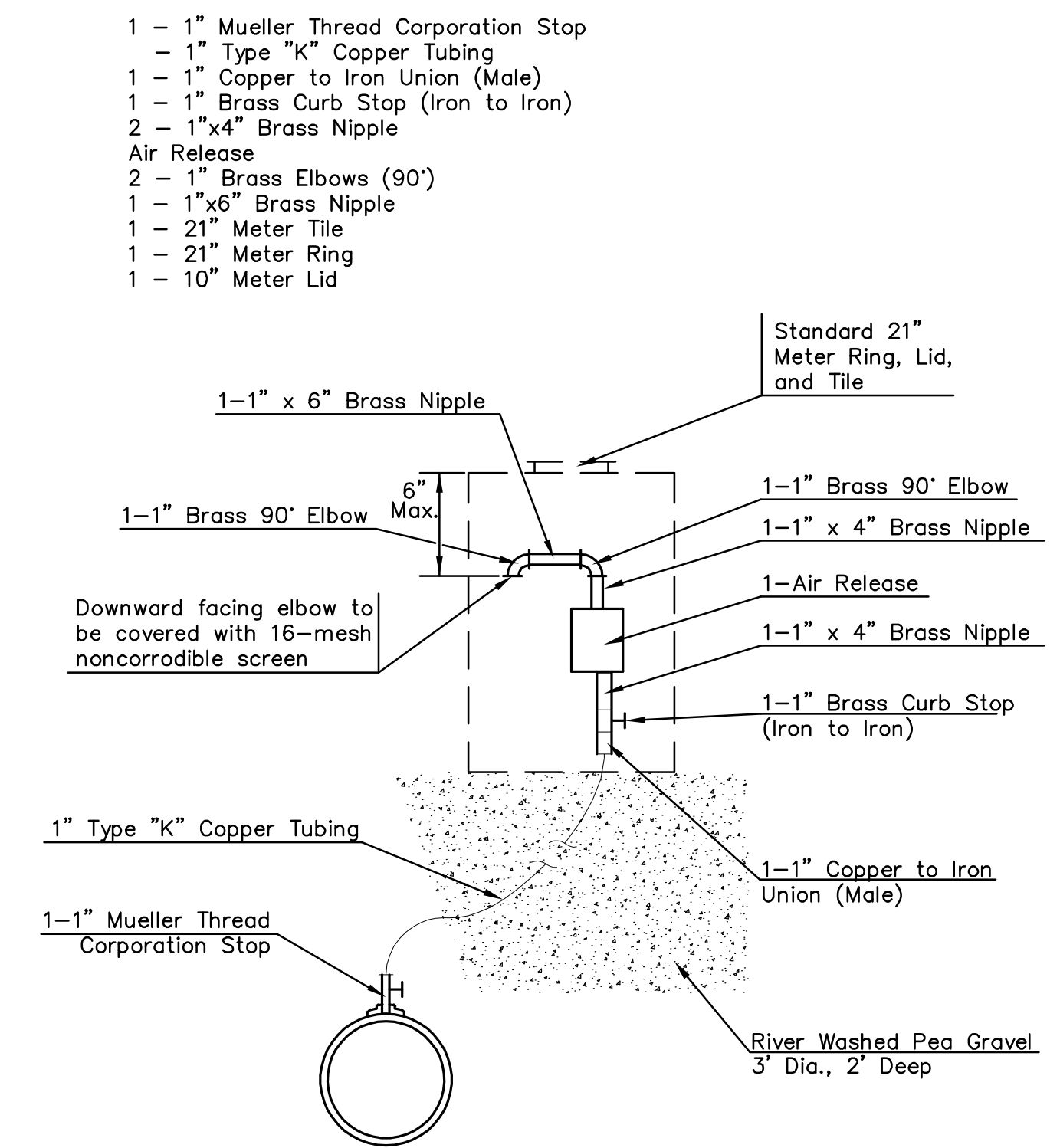
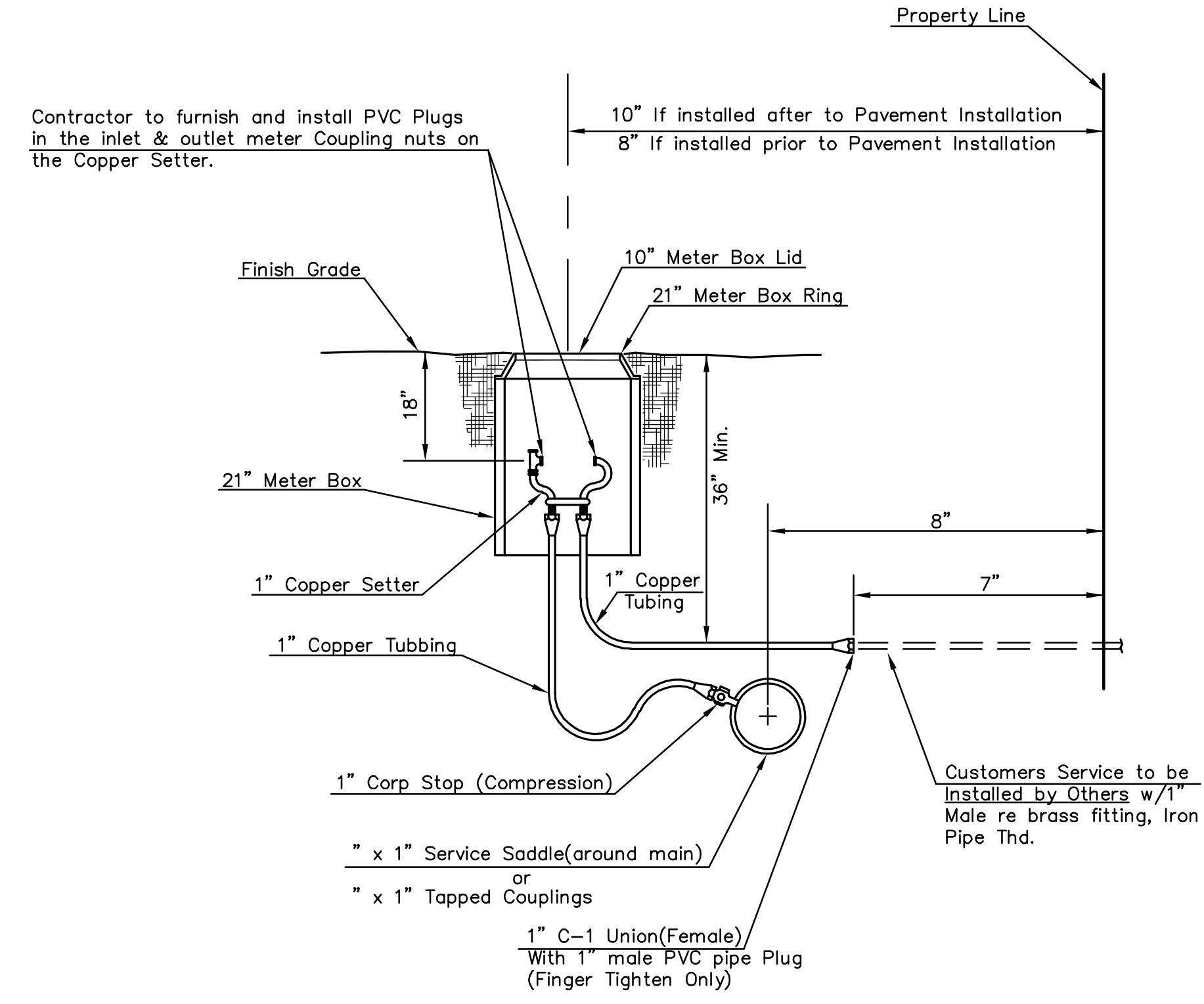


Note: Service Saddles are not required on top of 8" mains or larger  
 Meter boxes will be located on each lot to be served, as indicated in the SPECIAL PROVISIONS

**TYPICAL METER SETTING  
 LONG SERVICE 1"**

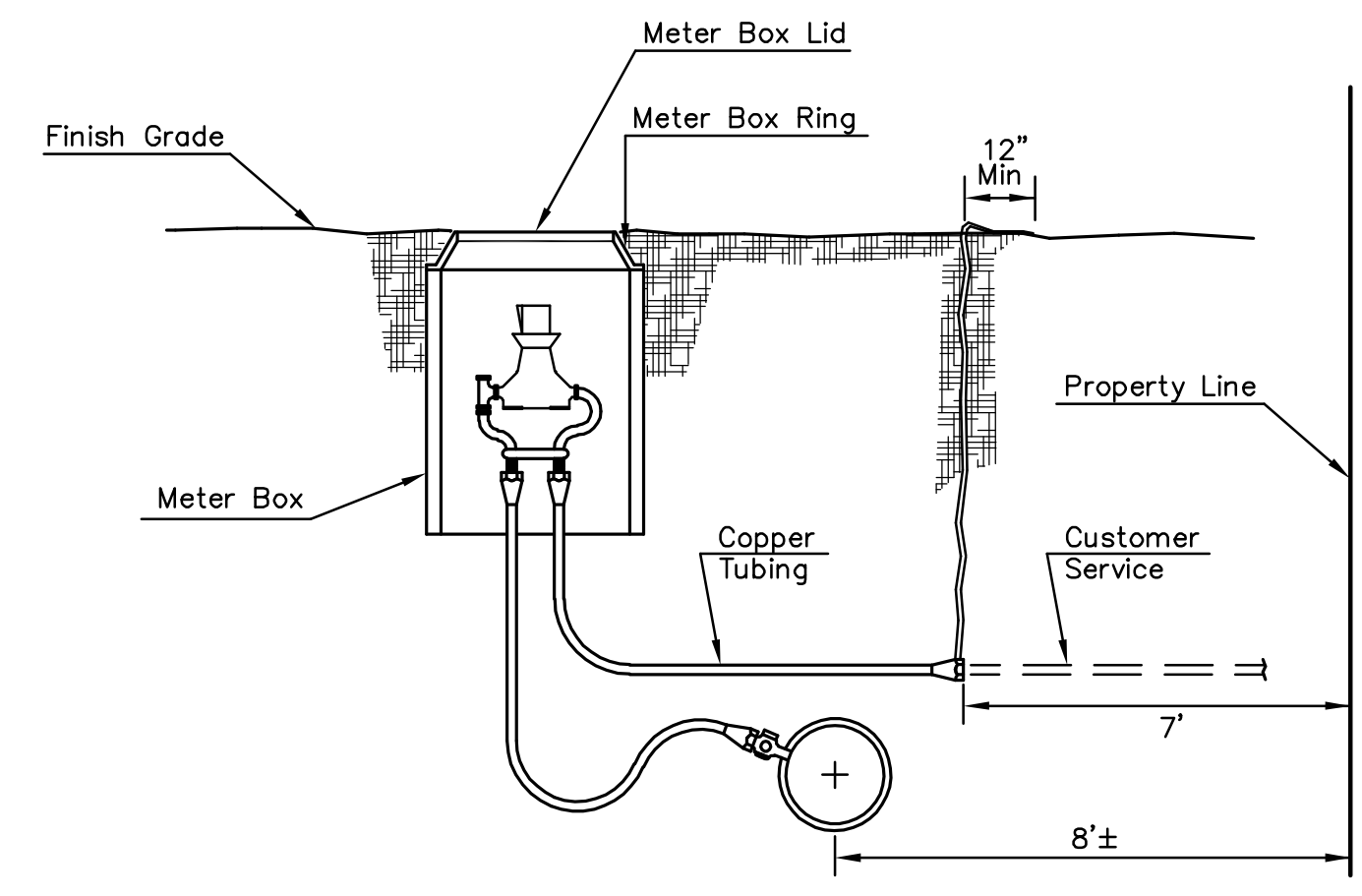


**MATERIALS FOR AIR RELEASE ASSEMBLY**



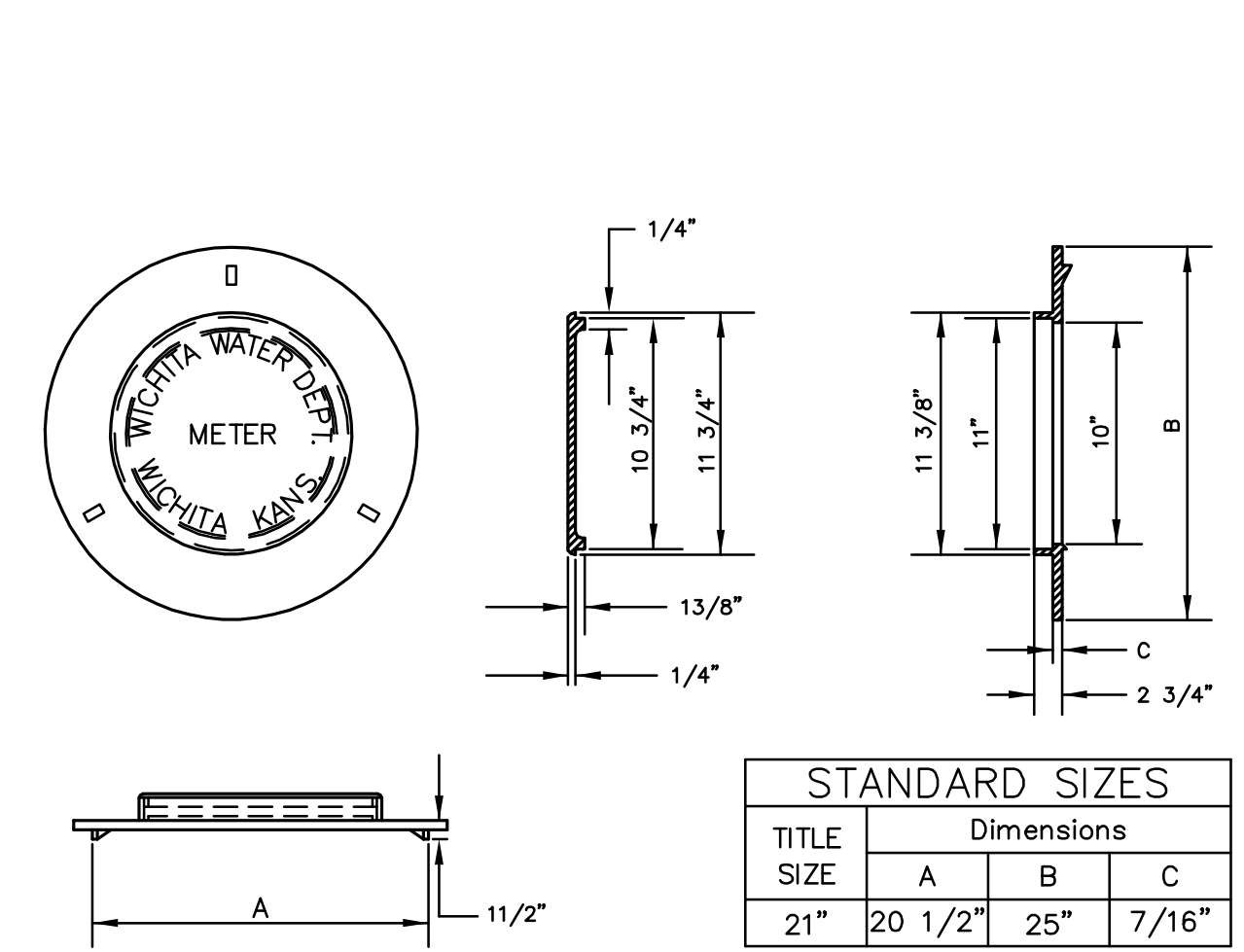
Note: Service Saddles are not required on top of 8" mains or larger  
 Meter boxes will be located on each lot to be served, as indicated in the SPECIAL PROVISIONS

**TYPICAL METER SETTING  
 SHORT SERVICE 1"**



If customers service line is not installed at the time Meter Box and Setter are installed, Plastic Flagging is to be tied to the end of copper tubing & brought straight up to top of ground and be exposed a minimum of 12" on top of ground. (Plastic Flagging to be Furnished by Contractor)

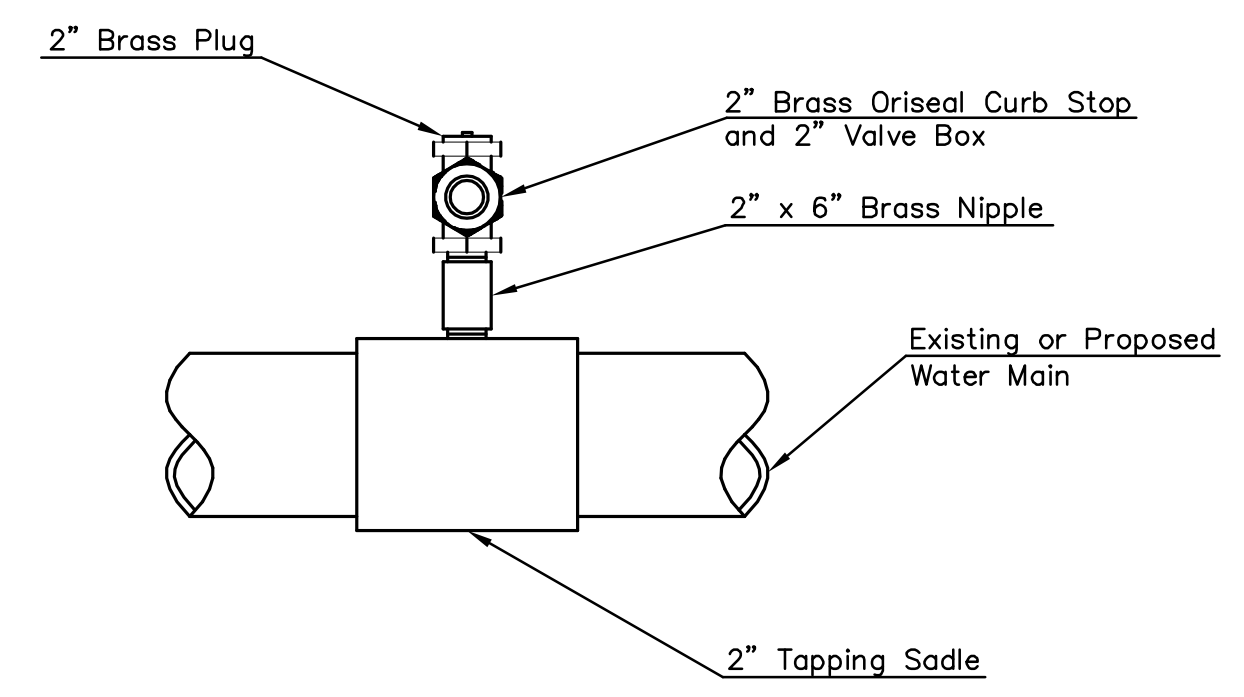
**TYPICAL METER SETTING  
 PLASTIC FLAGGING**



TITLE SIZE	Dimensions		
	A	B	C
21"	20 1/2"	25"	7/16"

Other Approved Ring And Lids: Ford Meter Box Co. Inc. 21" Ring & Lid Catalog No. C-4

**RING & LID FOR METER VAULTS**



Note: Where the 2" service outlet assembly is to be used to connect a 2" main to another main, the 2" valve shall be a 2" IPT Gate Valve. 2" Ball or Globe valve shall not be approved for this use.

**2" SERVICE OUTLET ASSEMBLY**

J:\Civ\05709\dwg\details\METER SERVICE AIR RELEASE.DWG 01/29/2007 11:02:58 AM CST

<p>CITY OF WICHITA PUBLIC WORKS ENGINEERING CITY ENGINEER'S OFFICE 455 NORTH MAIN STREET WICHITA, KANSAS 67202-1020 (316) 268-4501 (316) 268-4114 FAX</p>	<b>STANDARD WATER SERVICE DETAILS</b>	
	JIM ARMOUR, P.E. - CITY ENGINEER	
	PROJECT NUMBER 472-84289	INDEX CODE 706-946
	DATE MAR 96	SHEET <b>67</b> OF <b>120</b>