

Plan Scale 1" = 40'
 Profile Scale Vert 1" = 5'
 Horiz 1" = 40'

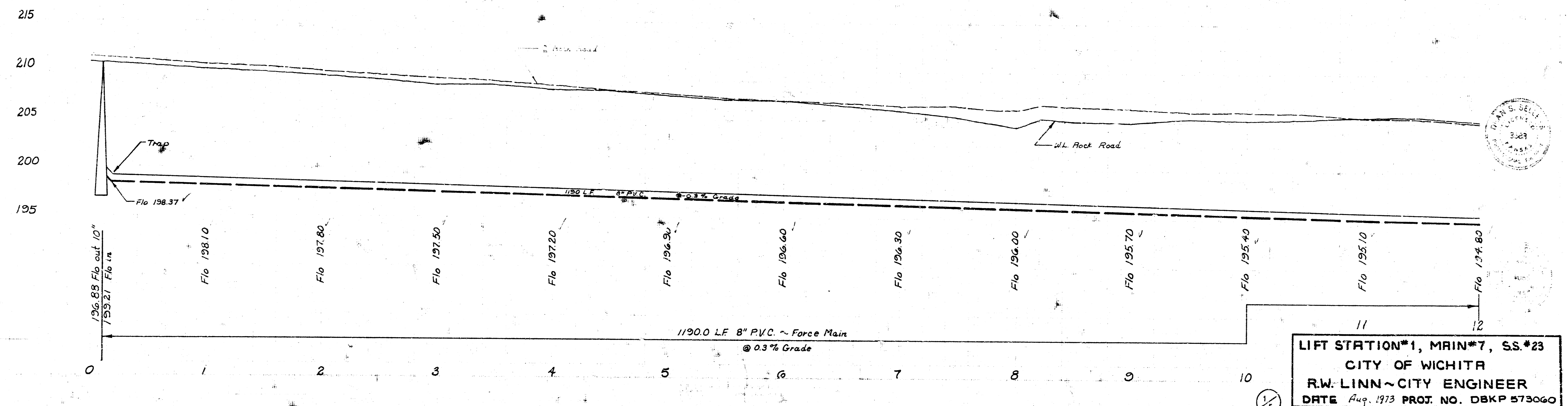
Sta. 0+00 ~ 100' N. of E. of Rock Road
 Sta. 0+10 ~ 20' S. of E. of Rock Road
 Sta. 0+20 ~ 40' S. of E. of Rock Road
 Sta. 0+30 ~ 60' S. of E. of Rock Road

This pt. being 1175' N. of S.E. cor. S.E. 1/4 Sec. 31 Twp 26 R 2 E

Note to Field Engineer:
 Take tags to all irons and replace if disturbed.

Note:
 Pipe used for force main as manufactured by Johns-Manville Co. may be J.M. Ring-Tite PVC or approved equal.

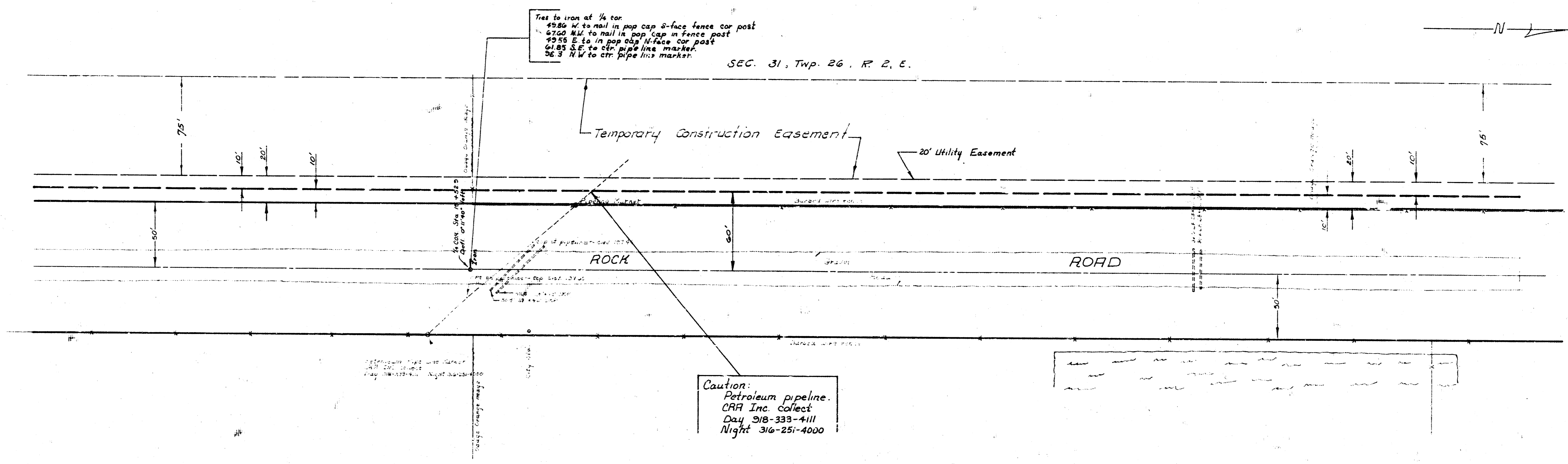
B.M. 21330 ~ Std. S.W. cor. Rock Road & 29th
 B.M. 20223 ~ Std. Rock Road & 33rd, 48' E. & 44' N. 1/4 sec. cor.
 B.M. 20411 ~ Rock Road & 37th, 44' S. & 48' W. of E. both



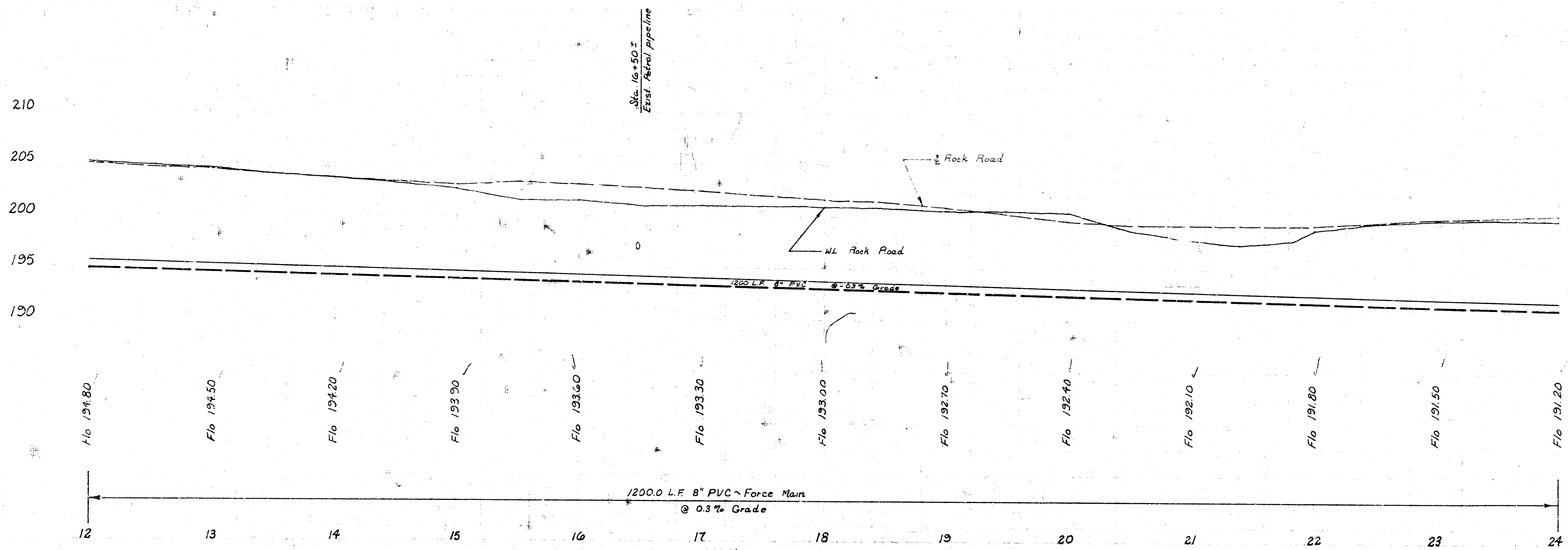
LIFT STATION #1, MAIN #7, SS. #23
 CITY OF WICHITA
 R.W. LINN - CITY ENGINEER
 DATE Aug. 1973 PROJ. NO. DBKP 573060

1/5

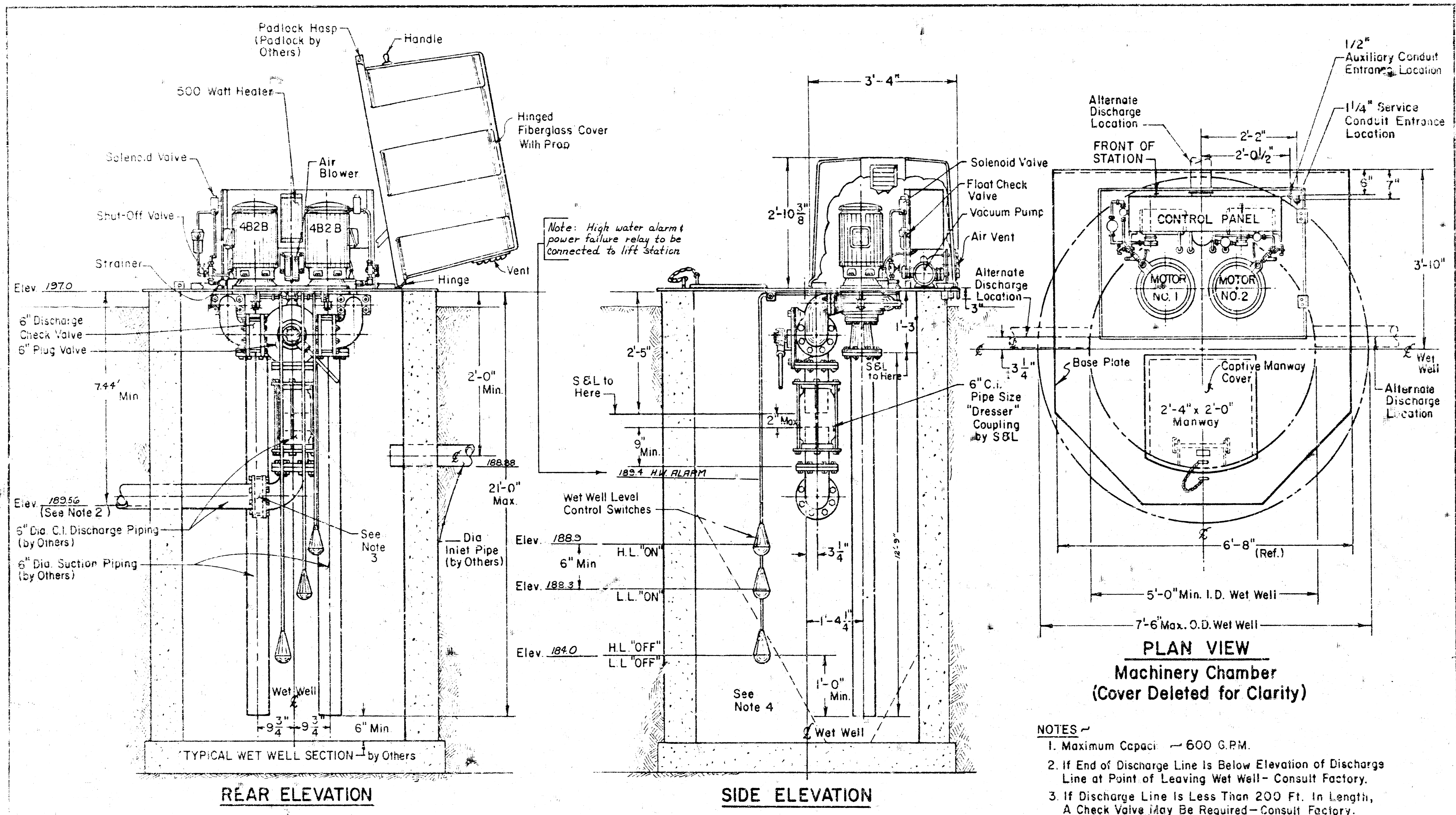
DATE DATE



Caution:
 Petroleum pipeline.
 8711 Ine. collect
 Day 918-333-4111
 Night 310-251-4000



LIFT STA. *1, MAIN *7, S.S. *23
 PROJ. NO. DBKP 573060



- NOTES**
1. Maximum Capacity - 600 G.P.M.
 2. If End of Discharge Line is Below Elevation of Discharge Line at Point of Leaving Wet Well - Consult Factory.
 3. If Discharge Line is Less Than 200 Ft. in Length, A Check Valve May Be Required - Consult Factory.

LIFT STA. #1, MAIN #7, S.S. #23
 PROT. NO. DBKP 573060

PATENTED IN THE U.S.A. & FOREIGN COUNTRIES N71-18

DATE	BY	DESCRIPTION
3-17-71	HASLAM	DRAWN
3-17-71	TIEMEN	CHECKED
3-17-71	MARTIN	APPROVED
		SCALE
		none

Ecodyne Corporation
 Smith & Loveless Division

WET-WELL-MOUNTED
 SEWAGE PUMPING STATION -
 5 FT. - 6 FT. I.D. WET WELLS
 86D107