

STANDARD MANHOLE TYPE "A"

STANDARD MANHOLE TYPE "B"

DROP MANHOLE TYPE "A"

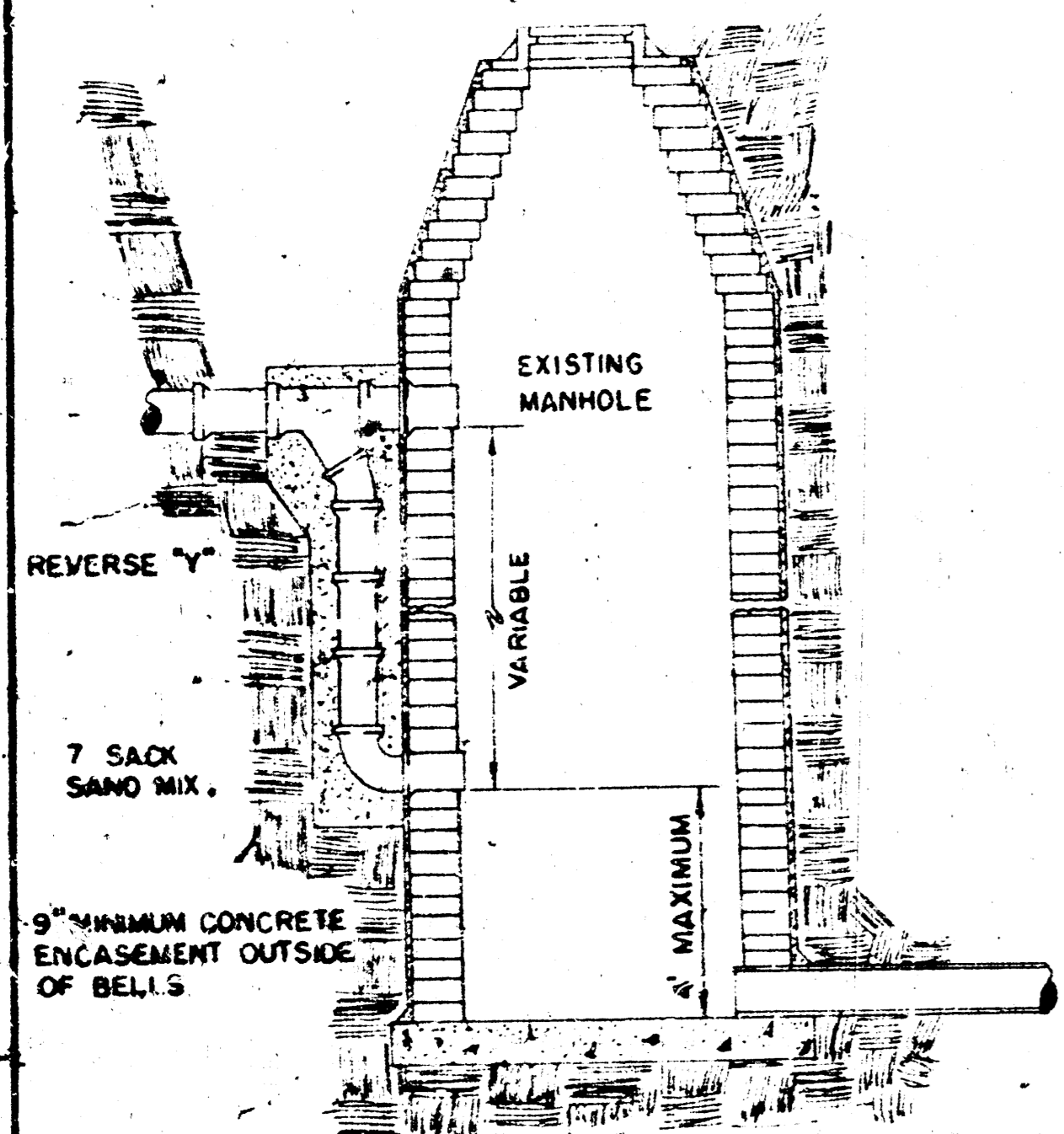
DROP MANHOLE TYPE "B"

OUTSIDE DROP MANHOLE TYPE "A"

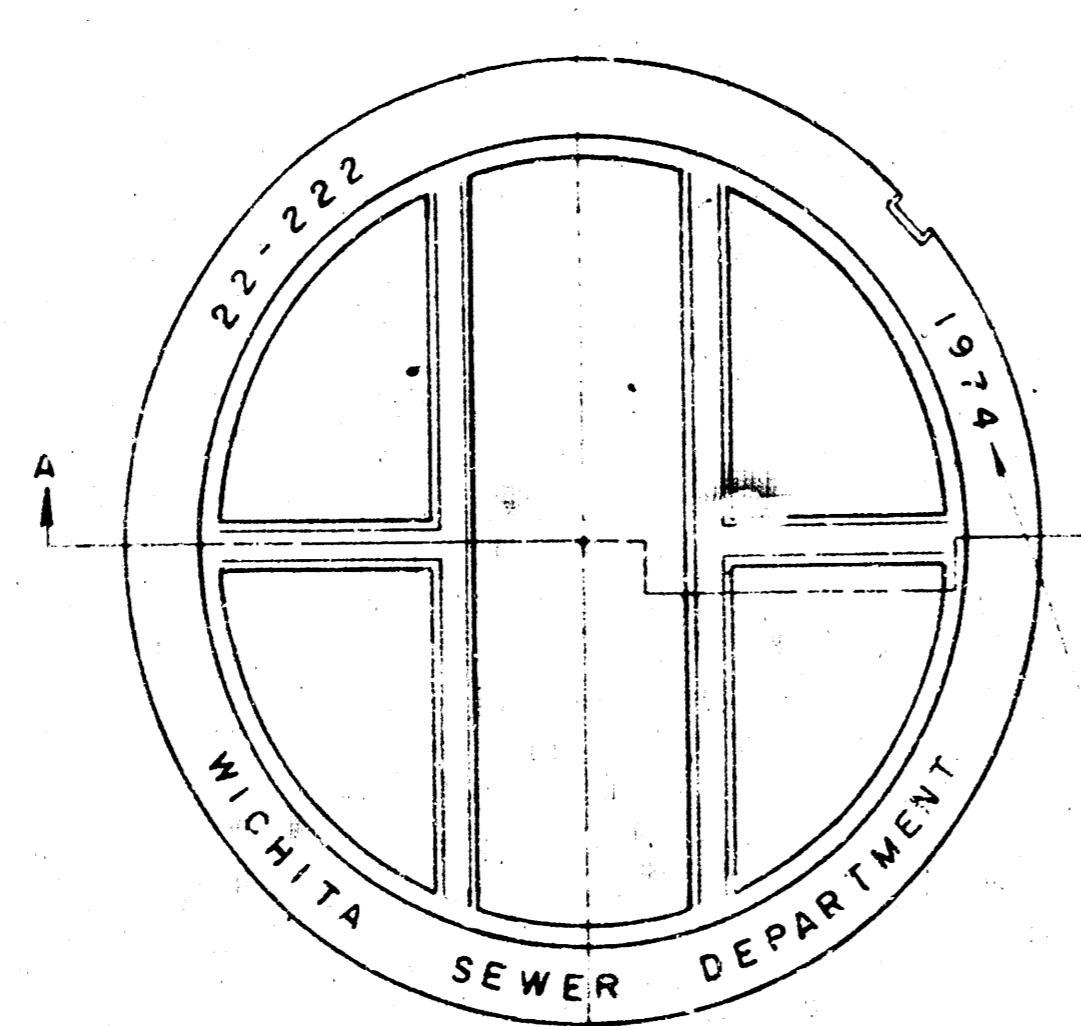
OUTSIDE DROP MANHOLE TYPE "B"

* DRAW = 6' ON 5' DIA. M.H.

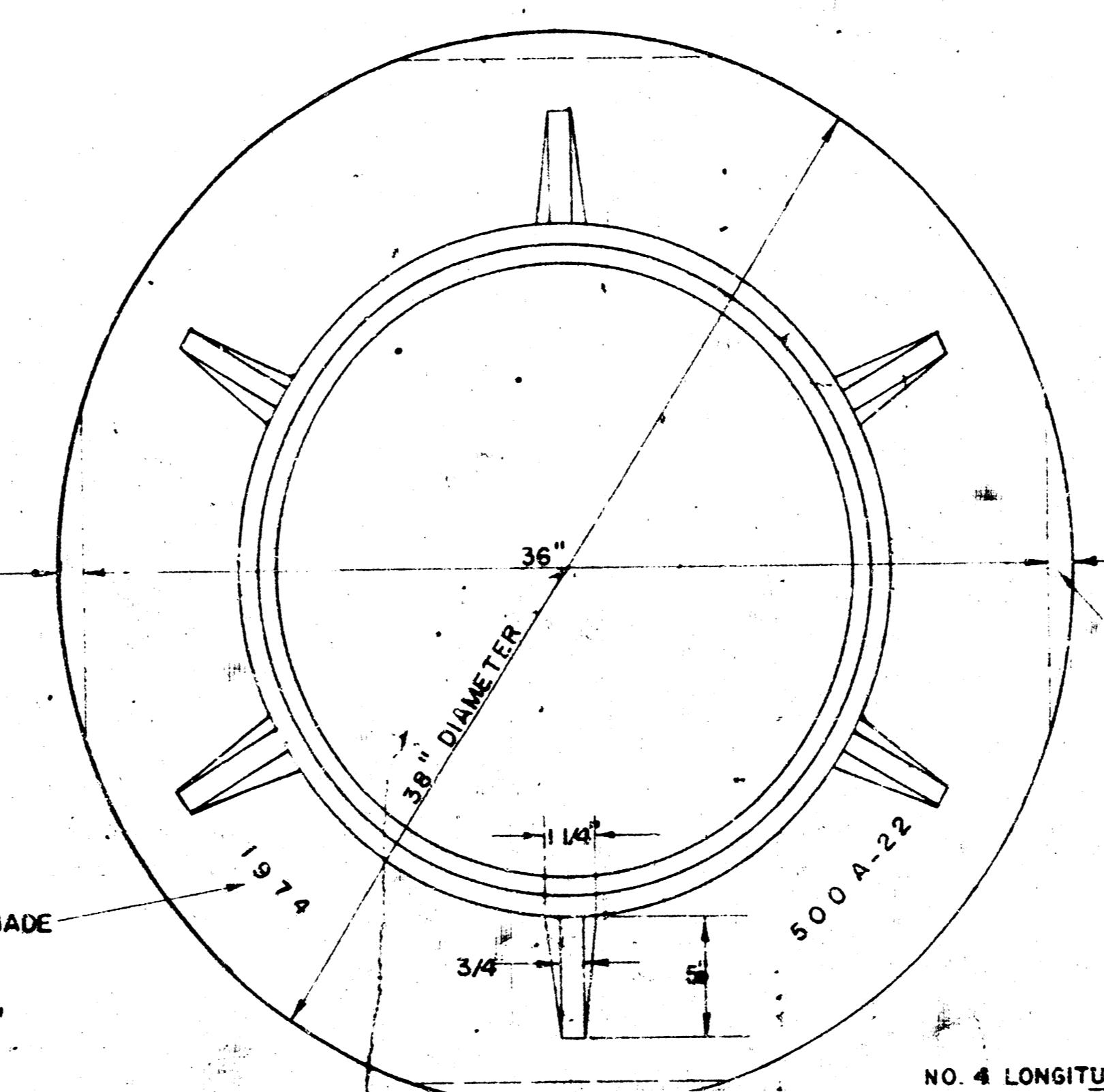
NOTE: REINFORCING STEEL SHALL BE INSTALLED IN THE MANHOLE BASES 6" ABOVE THE BOTTOM. REINFORCING STEEL SHALL CONSIST OF NO. 4 BARS PLACED ON 6" CENTERS IN BOTH DIRECTIONS. THE COST OF REINFORCING STEEL IS TO BE INCLUDED IN THE PRICE BID FOR THE MANHOLE.



DETAIL OF DROP STACK FOR EXISTING MANHOLES IN GROUND WATER

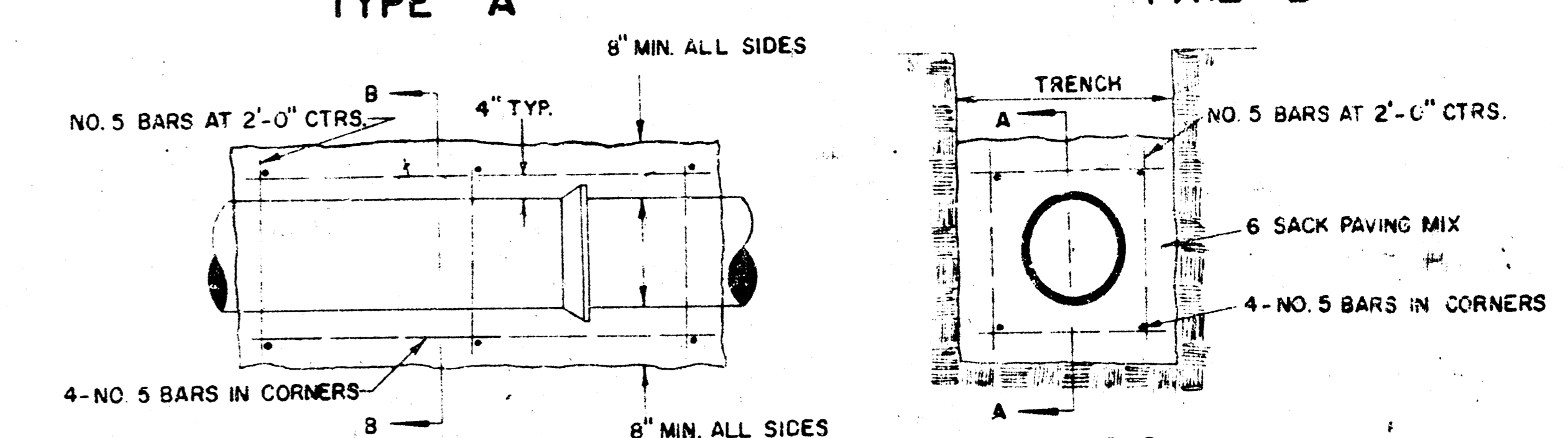


MANHOLE COVER WEIGHT 110 LBS.



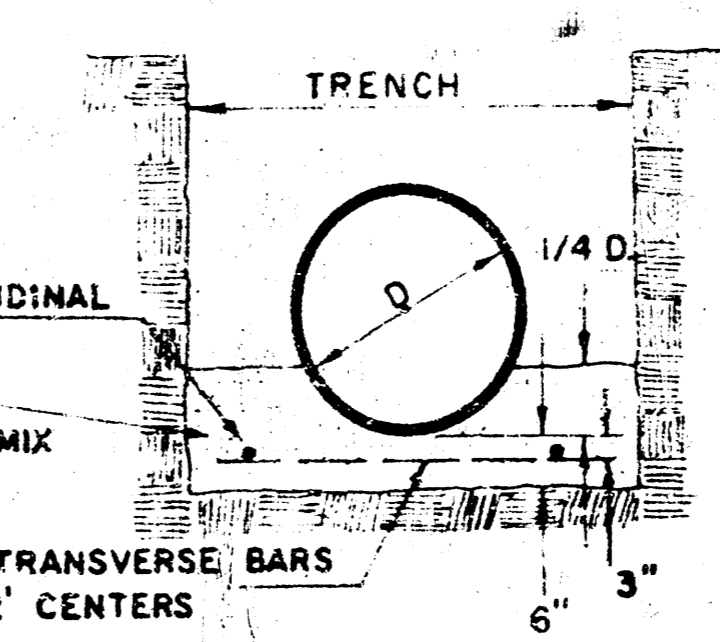
MANHOLE RING

WEIGHT 325 LBS. RING NO. 500A
WEIGHT 800 LBS. RING NO. 500AS



REINFORCED CONCRETE ENCASEMENT

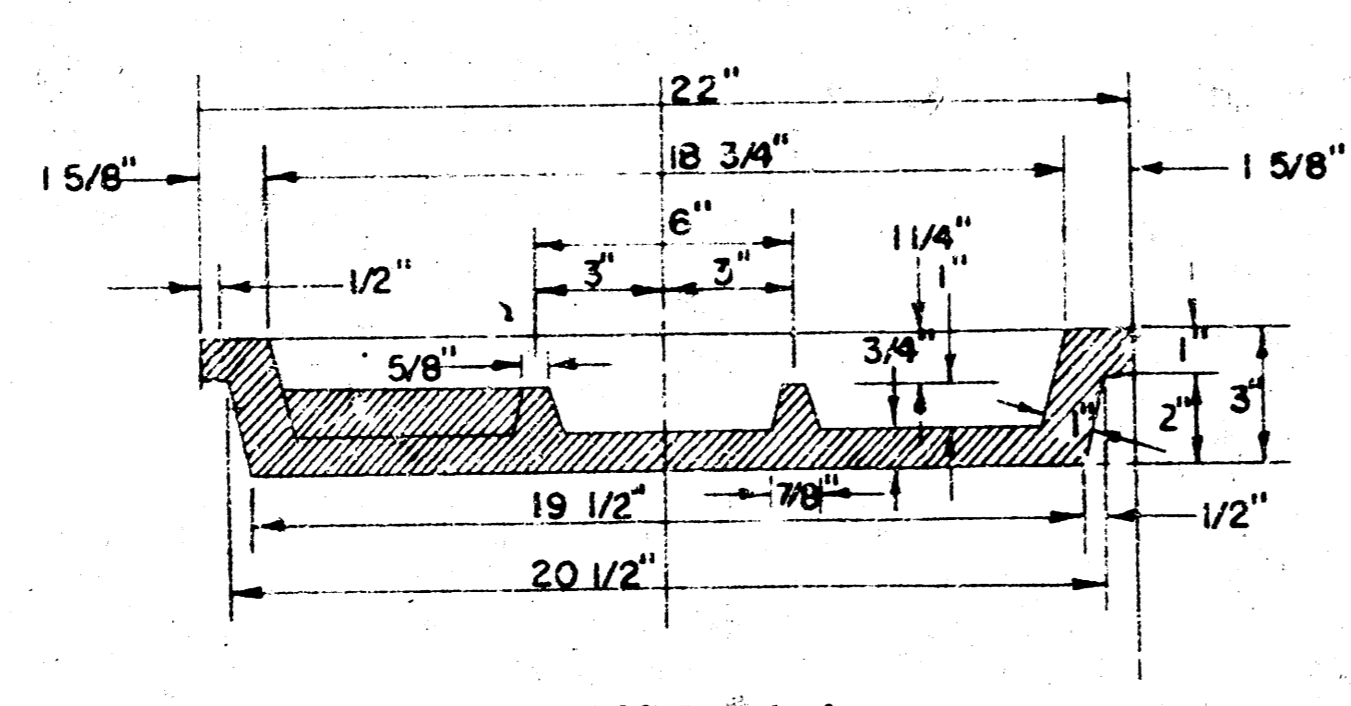
NOTE: CONCRETE ENCASEMENT AND CONCRETE CRADLE SHALL BEGIN AND END AT A JOINT WHEN CLAY PIPE IS USED.



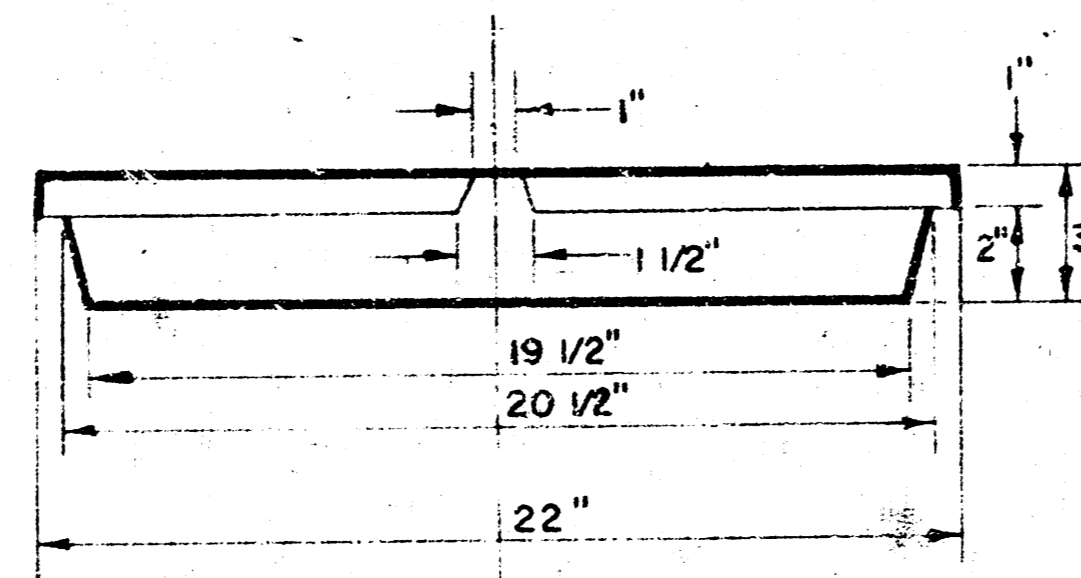
DETAIL OF CONCRETE CRADLE

GENERAL NOTES

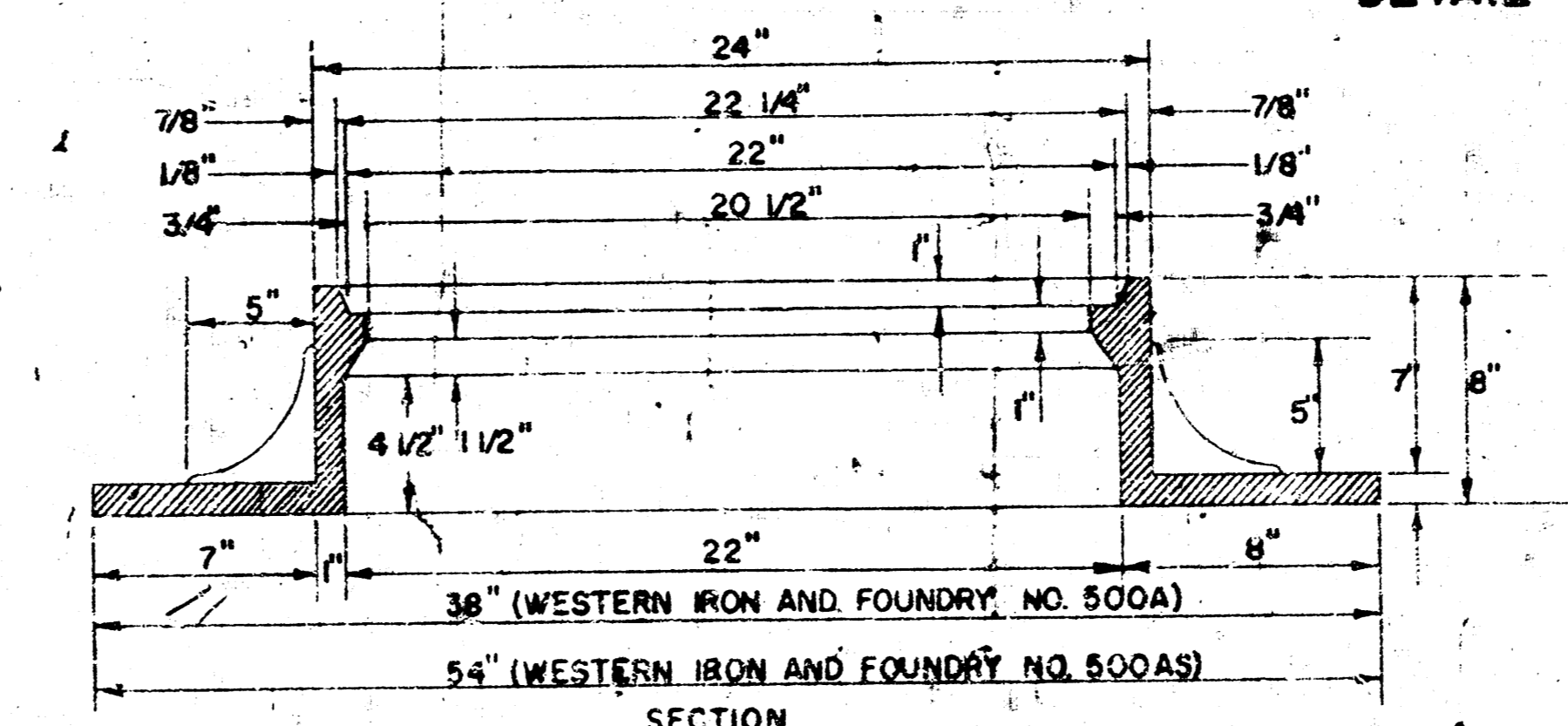
- MORTAR USED IN MASONRY CONSTRUCTION SHALL CONTAIN 8 SACKS OF CEMENT PER CUBIC YARD.
- STANDARD MANHOLES TYPE "A" OR TYPE "B" AND STANDARD DROP MANHOLES TYPE "A" OR TYPE "B" SHALL BE BID AS STANDARD MANHOLES FOR THE TYPE AND DIAMETER INDICATED.
- OUTSIDE DROP MANHOLES SHALL BE BID AS STANDARD OUTSIDE DROP MANHOLES FOR THE TYPE AND DIAMETER INDICATED. ALL MANHOLE DIAMETERS WILL BE 4' UNLESS INDICATED OTHERWISE.
- MANHOLES WITH PIPE SIZES LARGER THAN 24" SHALL BE 5' DIAMETER.
- THE FLOORS OF ALL MANHOLES SHALL BE SHAPED TO INCREASE HYDRAULIC EFFICIENCY USING 8 SACK SAND MIX CONCRETE.
- PIPES INSTALLED WITHIN THE MANHOLE EXCAVATION SHALL BE CRADLED WITH CONCRETE TO THE LIMITS OF THE MANHOLE EXCAVATION. COST OF CRADLE WITHIN MANHOLE EXCAVATION SHALL BE INCLUDED IN THE PRICE BID FOR THE MANHOLE. CRADLE SHALL EXTEND TO FIRST JOINT OUTSIDE OF MANHOLE WHEN CLAY PIPE IS USED.



MANHOLE COVER

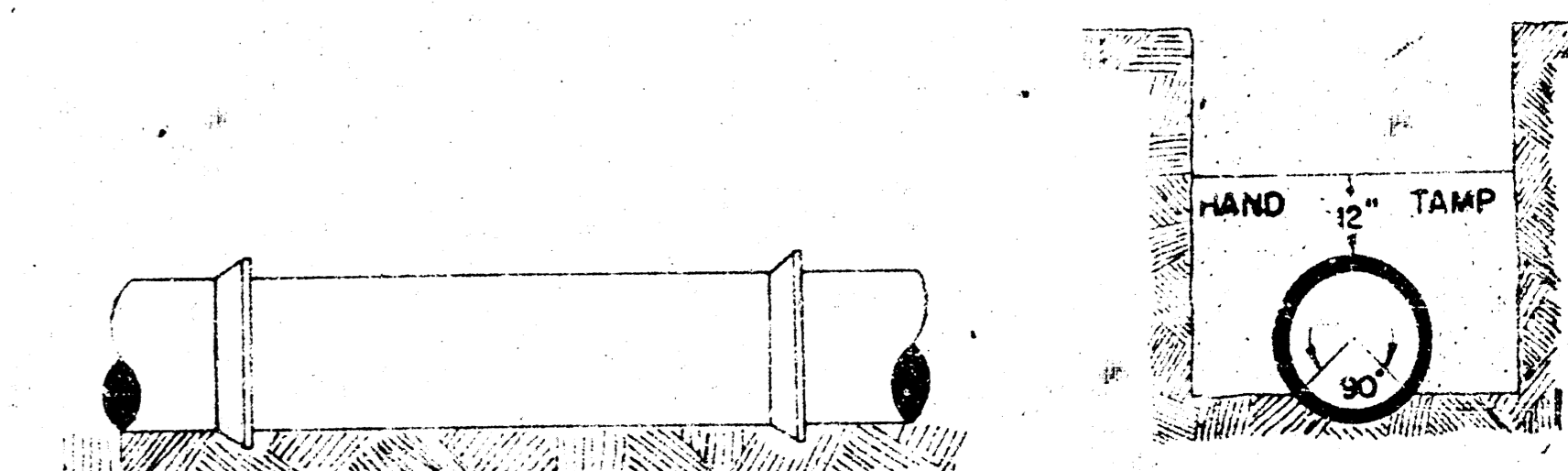


MANHOLE COVER



MANHOLE RING

OUTSIDE CIRCUMFERENCE OF COVER AND THE INNER FACE AND SEAT OF RING TO BE MACHINE FIT.



ORDINARY BEDDING METHOD STORM SEWER PIPE

REVISED 4-13-77
DETAILS OF
SEWER APPURTENANCES
ADOPTED AS STANDARD DESIGN
BY
ENGINEERING DIVISION
CITY OF WICHITA, KANSAS

FILMED FROM THE BEST AVAILABLE COPY

