

**GENERAL NOTES**

- Contractor will be required to provide a minimum advance notice of forty-eight (48) hours to utility companies prior to starting any excavation as follows:  

Kansas One-Call	687-2470
-----------------	----------

The Contractor must notify the following in case of an emergency:

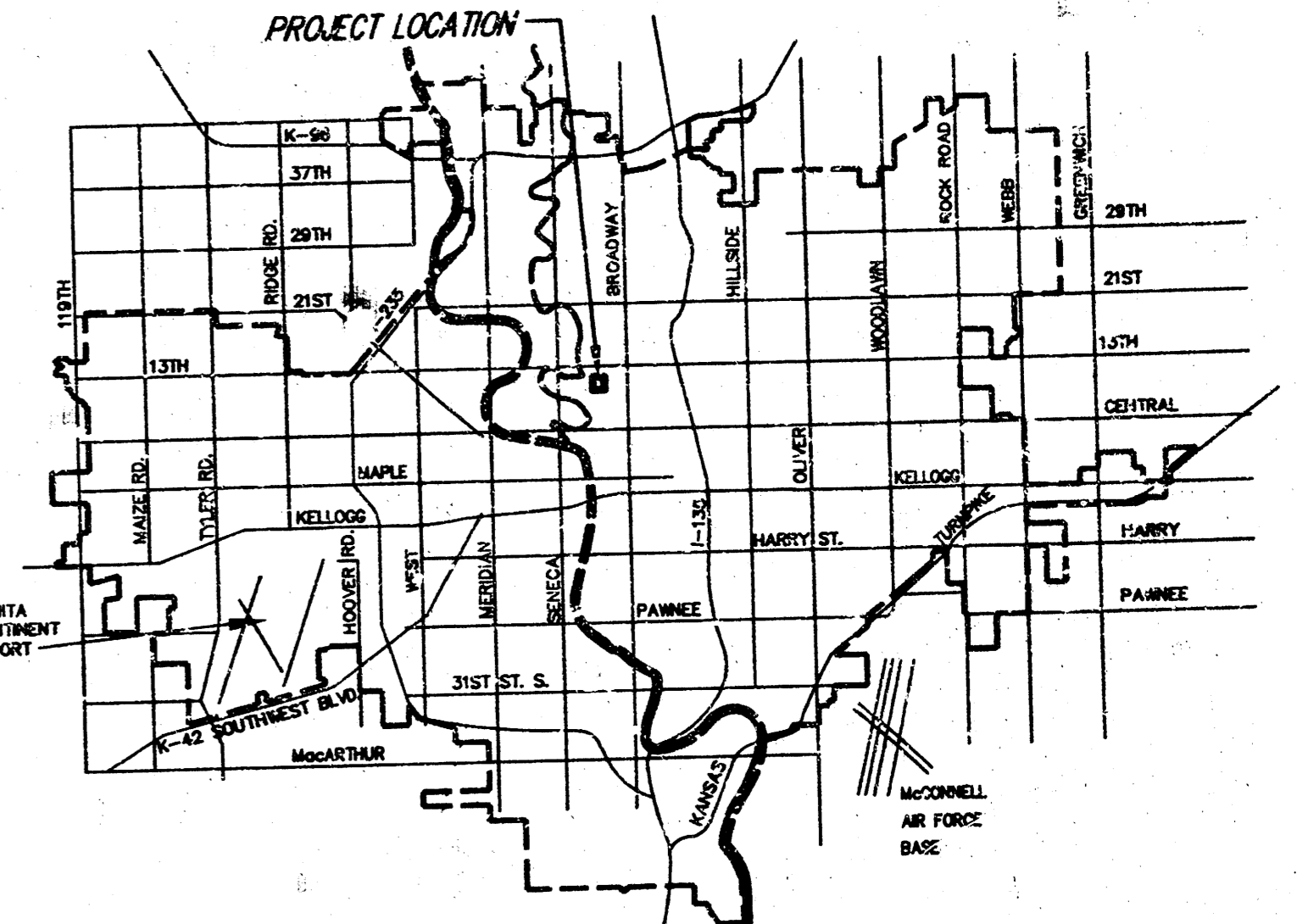
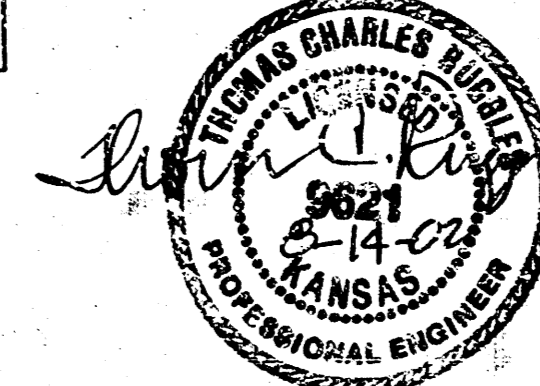
Cox Communications	252-0661
Kansas Gas Service	383-8600
K.G.E. Electric	333-8600
Peoples Natural Gas Company	1-800-303-0357
Southwestern Bell Telephone Company	1-800-286-8313
City of Wichita Water Department	262-6000
City of Wichita Sewer Maintenance	262-6000
- The Contractor shall give all property owners and/or tenants of developed property directly abutting the construction of this project a minimum of ten (10) days advance notice prior to start of construction.
- The Contractor shall be responsible for preserving property irons. The Contractor will be required to re-establish any property irons which are damaged or destroyed by his construction operations. Such irons shall be re-established by a licensed land surveyor in accordance with state laws.
- This project is to be constructed in accordance with City of Wichita Standard Specifications of City Projects, March 1998, and the latest edition of the Policy of Construction on Public Works Projects by Private Contract.
- Any areas within public right of way which are disturbed by construction of this project shall be restored in accordance with Administrative Regulation AR7B.
- The Contractor shall be responsible for maintaining flow through existing sewers during construction.
- One lane of traffic to remain open on Rochester at all times during construction.

**CITY OF WICHITA PRIVATE PROJECT**  
**1274PPS (607861)**  
**MICHAEL E. LINDEBAK, P.E. - CITY ENGINEER**

APPROVED AS NOTED  
 BY CITY ENGINEER OF WICHITA

Sanitary Sewers *VRH 8/19/02*  
 Water and Sewer Dept. *Subj. etc.*

NOTE TO CONTRACTORS  
 Inspection and testing for this project are to be provided by a Licensed Consulting Engineering Firm under contract with the Owner/Developer. Said inspection to be in accordance with the City of Wichita standard construction engineering practices and certified by a Licensed Professional Engineer. No work shall be performed in dedicated easements or public right-of-way by the Contractor without such inspection, nor shall any work be commenced without written authorization by the City Engineer.



PLUG AND ABANDON  
 8" PIPE EAST

REMOVE MANHOLE

REMOVE AND TEMPORARY PATCH  
 CONCRETE PAVEMENT AS NECESSARY.  
 PAVEMENT TO BE REPLACED BY  
 CITY'S CONTRACTOR.  
 CALL 268-4418 FOR UNIT PRICES.

CAUTION - 4"  
 GAS MAIN (KGS)

REMOVE PARKING LOT PAVEMENT  
 AS NECESSARY. DO NOT REPLACE.

20" SEWER EASEMENT  
 TO BE VACATED

PROPOSED BUILDING

FINISH FLOOR  
 1304.50

15" Sewer Easement  
 (By Separate Instrument)

20" Sewer Easement  
 (By Separate Instrument)

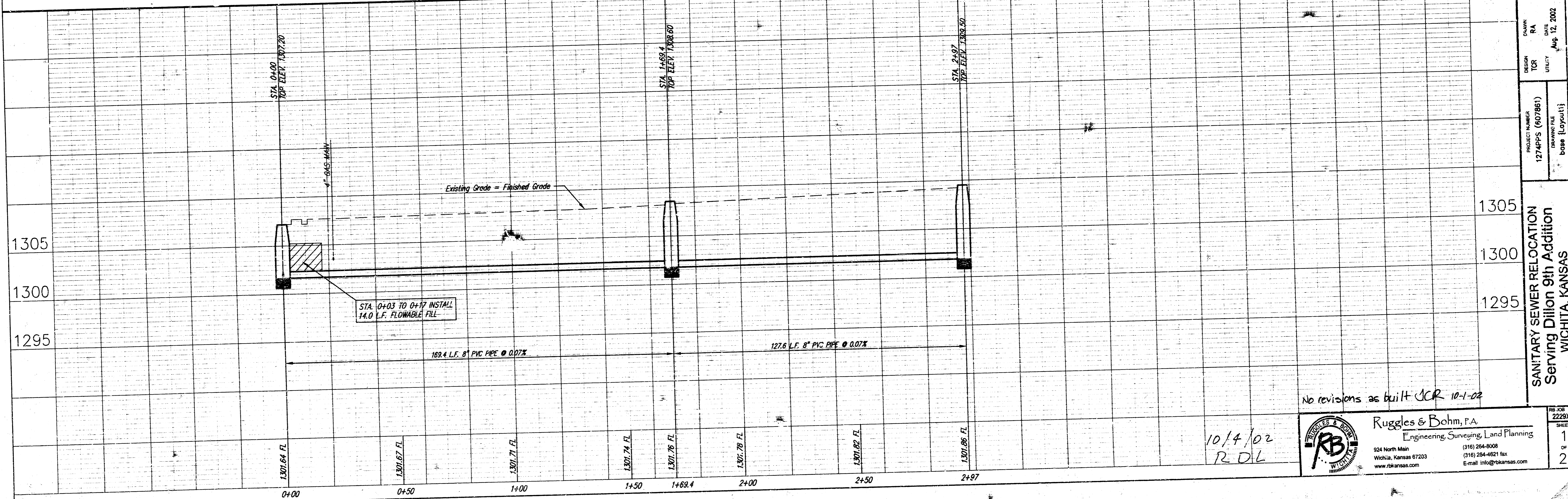
STA. 1+69.4 = @ STA. 1+69.44, 13' RT.  
 CONSTRUCT TYPE P STANDARD  
 SHALLOW MANHOLE  
 TOP ELEV. 1308.60

@ Sta. 1+84.64 = N.E. COR. LOT 1  
 DILLON 9th ADDITION

STA. 2+97 = @ STA. 1+69.44, 140.5' RT.  
 CONSTRUCT TYPE P STANDARD SHALLOW MANHOLE  
 OVER EXISTING 8" VCP; ABANDON 8" PIPE WEST.  
 TOP ELEV. 1309.50

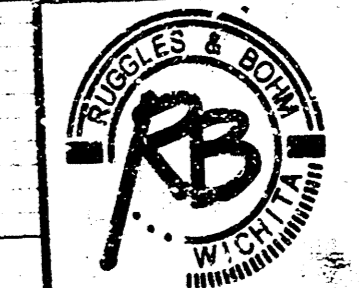
EXISTING MANHOLE TO REMAIN  
 FL OUT 1301.86

5' Utility Easement



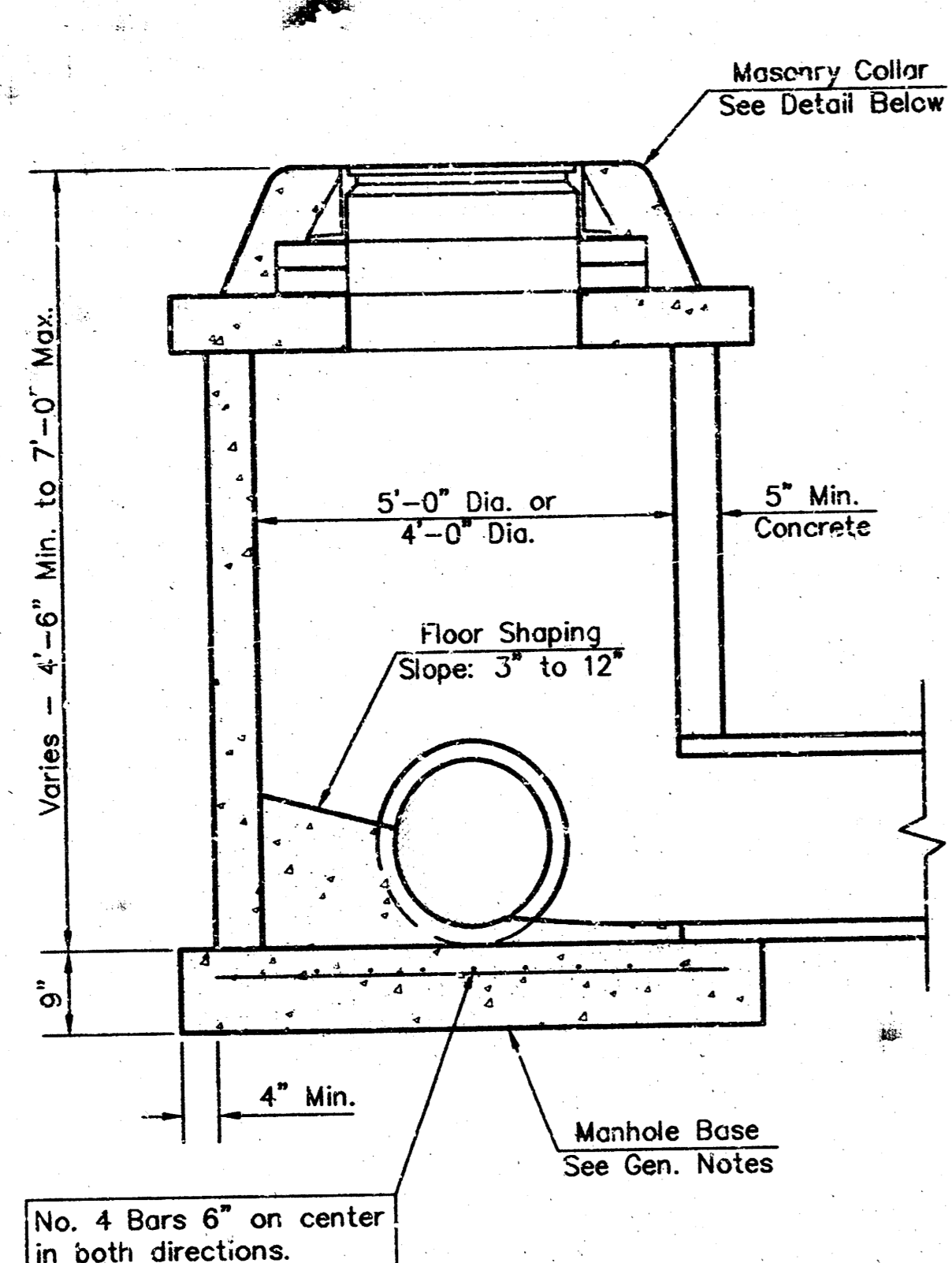
No revisions as built JCR 10-1-02

10/4/02  
 RDL

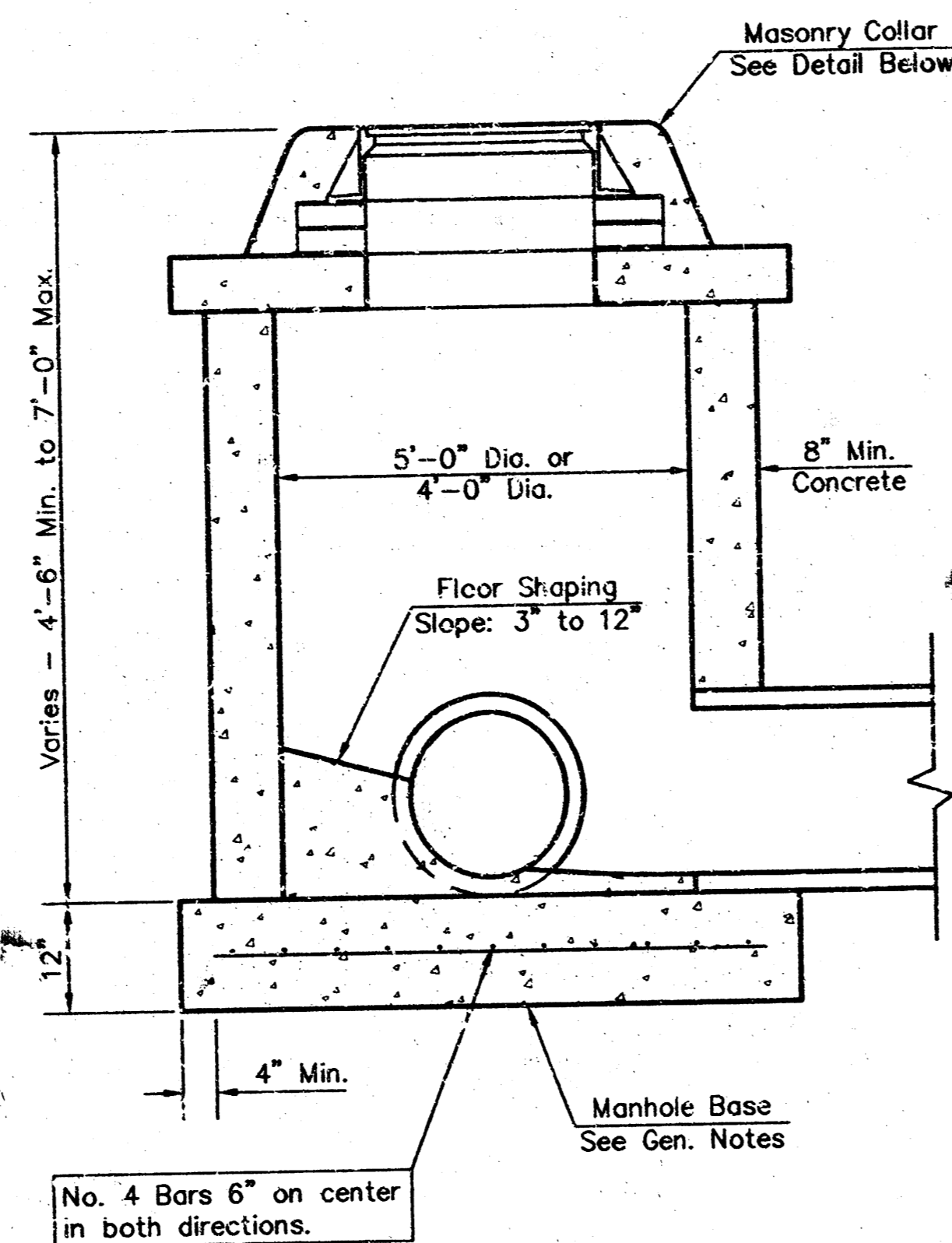


**Ruggles & Bohm, P.A.**  
 Engineering, Surveying, Land Planning  
 924 North Main  
 Wichita, Kansas 67203  
 www.rbkansas.com  
 (316) 264-8008  
 (316) 264-4621 fax  
 E-mail info@rbkansas.com

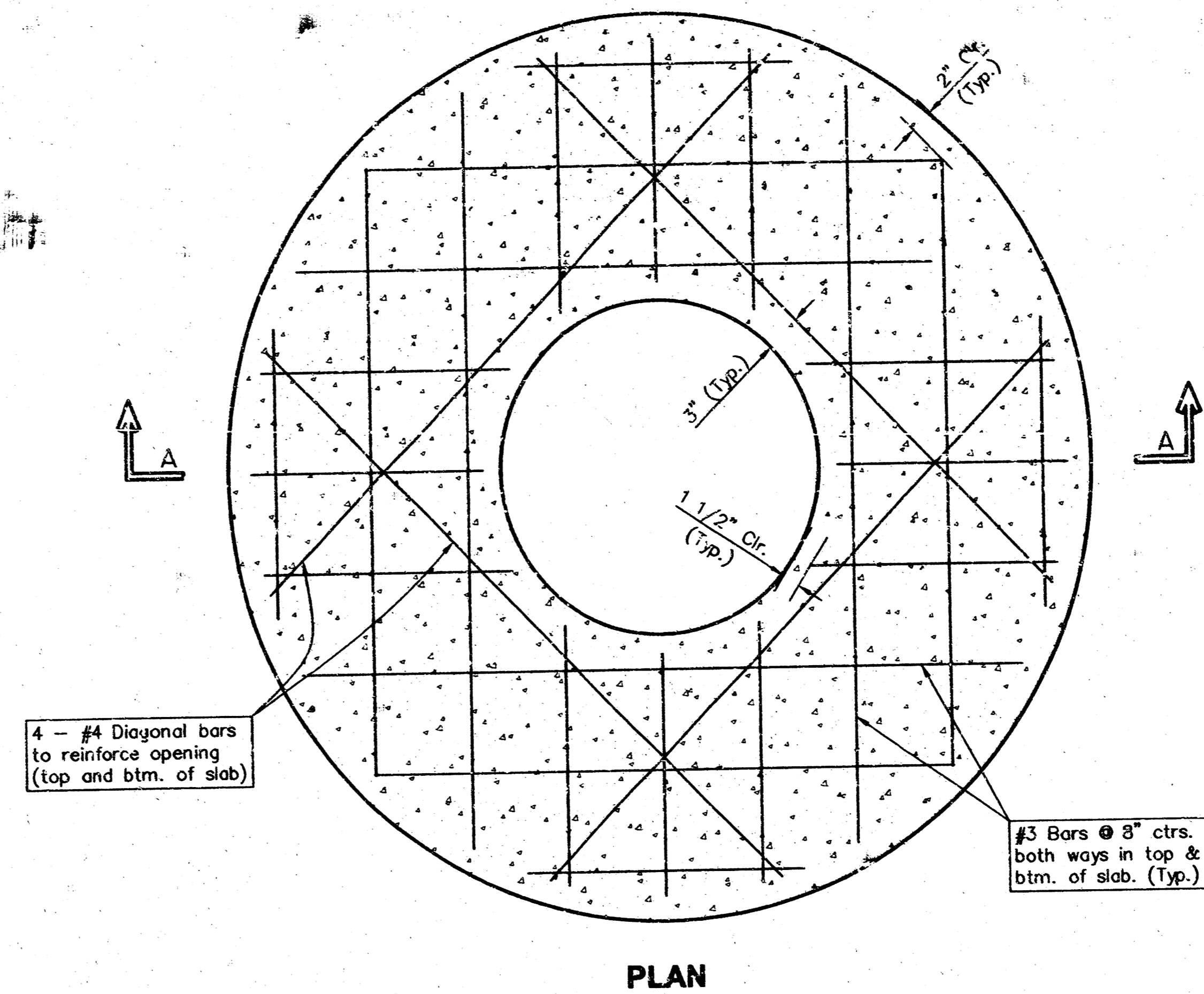
DESIGN	TJR	DATE	Aug. 12, 2002
PROJECT NUMBER	1274PPS (607861)	DRAWING FILE	base (layout)
SANITARY SEWER RELOCATION Serving Dillon 9th Addition WICHITA, KANSAS			
REVISION	NO.	DATE	BY
	1		
	2		



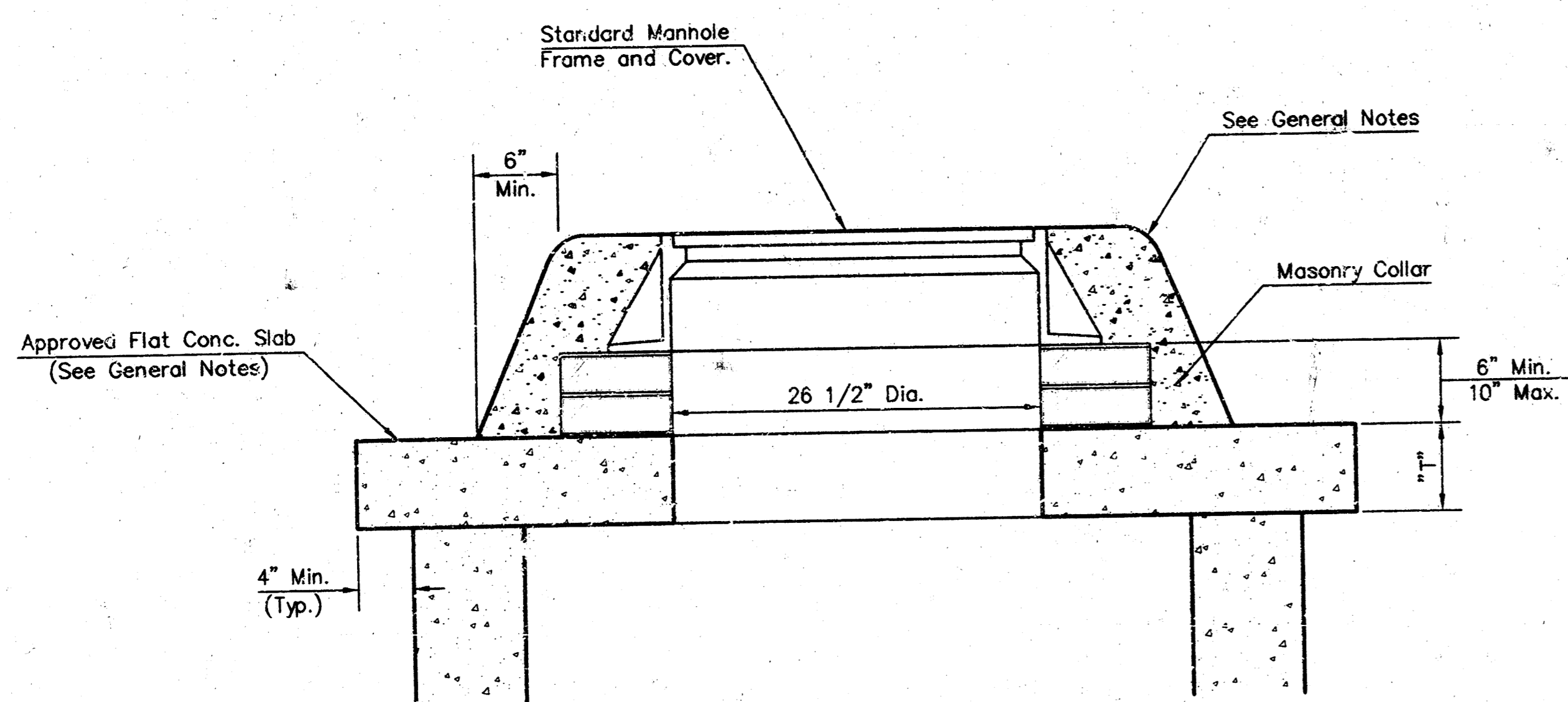
SHALLOW TYPE "P" MANHOLE



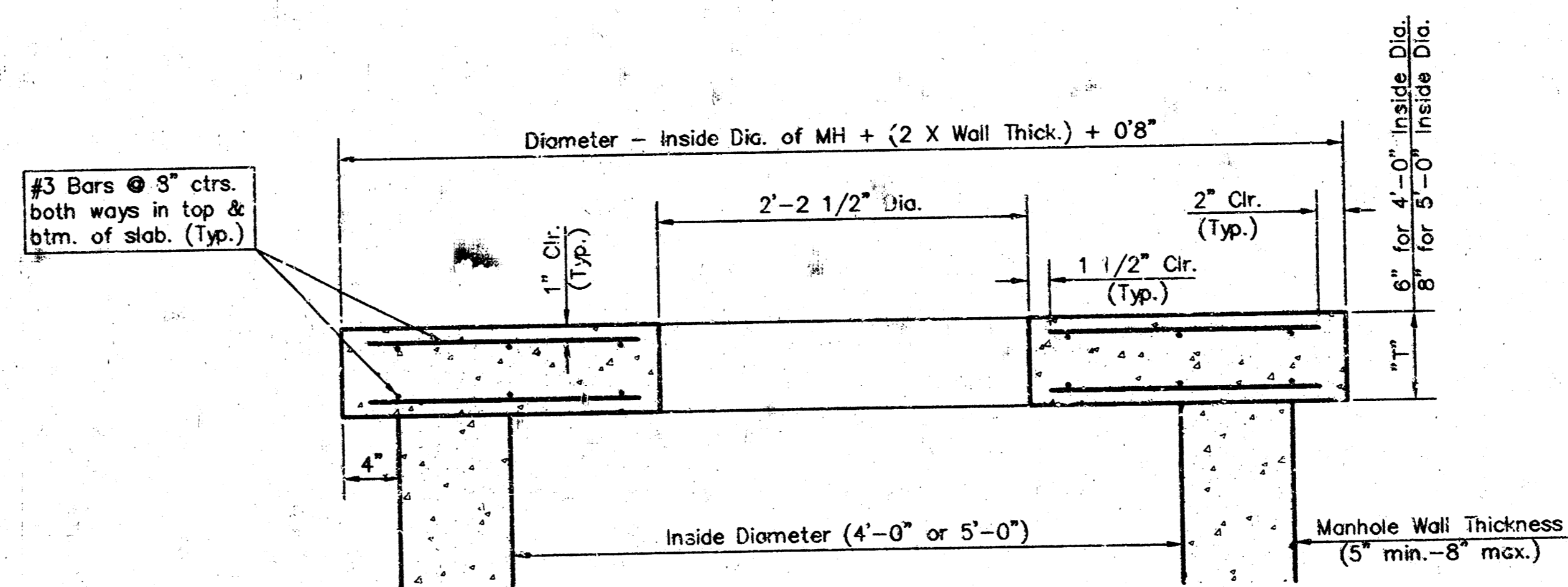
SHALLOW TYPE "C" MANHOLE



PLAN



MASONRY COLLAR DETAIL



SECTION A-A

FLAT CONCRETE SLAB DETAILS

GENERAL NOTES

- Mortar used in masonry construction shall contain 8 sacks of cement per cubic yard. Concrete used in manhole bases shall conform to the requirements of concrete for concrete pavement construction as specified in the city standard paving specifications using city concrete cement mix without air entraining admixture. Mortar shall be placed around the manhole ring as shown on the drawings when manholes are constructed in unpaved areas. Manholes constructed where pipe sizes are smaller than 24" shall have an inside diameter of 4". Manholes constructed where pipe sizes are 24" or larger shall have an inside diameter of 5". Completed manhole shall be without leaks and water tight.
- Reinforcing steel shall be installed in the manhole bases and shall consist of no. 4 bars placed on 6" centers in both directions. The manhole base reinforcement shall be placed 6" above the bottom of the manhole base. All costs for furnishing and installing reinforcing steel shall be included in the unit price bid for the manhole.
- The floors of all manholes shall be shaped with flow channels such that the manholes will be self cleaning and free of areas where solids could be deposited as sewage flows through the manhole from all inlet pipes to the outlet pipe. Flow channels shall be formed to match the bottom halves of the inflowing pipes and the outflowing pipe as shown by the drawings. Manhole floors shall have slopes of 3 inches per foot in the areas outside of the flow channels sloped toward the flow channels. Pipes laid through manholes shall have the top half removed to neat lines for the full inside diameter of the manhole. Manhole floors shall then be shaped around the bottom half of the pipe which forms the flow channel.
- Pipes installed within the excavation made for the manhole shall be cradled with concrete to the limits of the manhole excavation. When clay pipe is used, the cradle shall extend to the first joint outside the manhole. The cradle shall be terminated at the clay pipe joint in a manner which will maintain the flexibility of the joint. Cost of cradle within manhole excavation or to clay pipe joints adjacent to manhole shall be included in the unit price bid for the manhole.
- Manhole cover castings and manhole frame castings shall conform to the requirements as indicated in the standard specifications and as shown in the standard detail drawings.
- The crowns of inflowing pipes shall never be set lower than the crown of the outflowing pipe.
- Standard shallow manholes type "P" and "C" shall be paid for at the unit price bid per each for the type and diameter indicated. All standard shallow manhole diameters will be 4' unless indicated otherwise.
- All brick used in manhole construction shall meet Grade SW of ASTM C652 or C62-87.

<p>THE CITY OF WICHITA</p> <p>CITY ENGINEER'S OFFICE CITY HALL - SEVENTH FLOOR 402 NORTH MAIN STREET WICHITA, KANSAS 67202 (316) 268-1301 (316) 268-4114 FAX</p>	<p><b>SHALLOW MANHOLES</b> TYPE "P" AND "C"</p>	
	<p>M. E. LINDEBAK P.E. - CITY ENGINEER</p>	
<p>PROJECT NUMBER 1274PPS</p>	<p>QA # 607861</p>	
<p>DATE</p>	<p>SHEET 2 OF 2</p>	

SO 40 41 81